

JSS - STEEL BOTTLE JACKS



Capacities from 3 to 100 tonnes

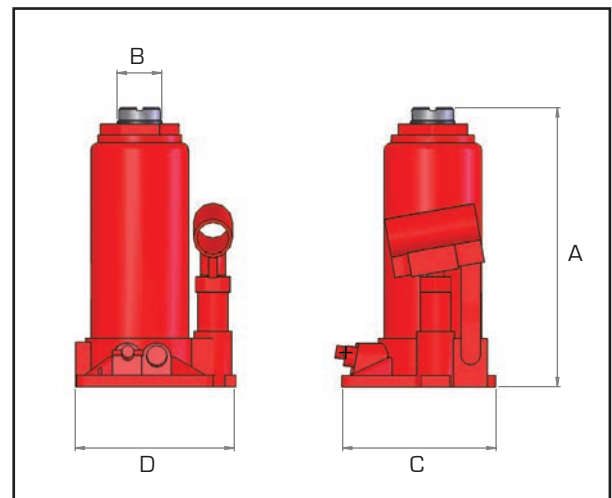
Strong rigid steel construction

Working pressure 700 Bar

E

The Hi-Force JSS range of steel bottle jacks offers capacities from 3 to 100 tonnes, with stroke lengths from 135 to 195mm. Models up to 16 tonnes capacity feature heat-treated piston rod extension with saddle, that allows for low pick-up height adjustment and maximum lift height. All models are supplied with a tubular operating lever and have a wide base for increased strength and stability during lifting.

- >> Low handle effort for easy operation
- >> Stroke lengths up to 195mm
- >> Internal safety overload valve
- >> Screw extension spans the gap between piston ram cap and load
- >> Suitable for industrial and automotive use



Model number	Capacity tonnes	Stroke mm	Screw extension mm	Weight kg
JSS35	3	135	70	3.0
JSS55	5	135	90	4.0
JSS106	10	174	90	7.0
JSS166	16	178	95	10.0
JSS207	20	190	-	15.0
JSS327	32	190	-	22.0
JSS507	50	195	-	32.0
JSS1007	100	195	-	69.0

Dimensions in mm			
A	B	C	D
195	28	100	100
200	32	110	115
243	43	135	130
255	53	160	150
280	56	127	165
285	71	152	190
300	85	177	217
340	117	265	240