

SBT - SPRING RETURN BOLT TENSIONERS - METRIC



Capacities from 457 to 2649 kN

Maximum working pressure 1500 Bar

Spring assisted piston retraction

The SBT metric range of hydraulic bolt tensioners, offers all of the features and benefits of our standard STS range (see pages 106 and 107), but with the added feature of spring assisted return hydraulic pistons. Designed primarily for topside operation, this additional spring return piston feature will reduce bolt tensioning cycle times considerably, as the tensioner piston will automatically start to retract, after the hydraulic pressure is released. The range currently comprises of 26 models, suitable for standard size bolts from M30 to M100 diameter.

G

The versatility of the SBT bolt tensioner range, is identical to our standard STS range, with a variety of interchangeable threaded pullers and nut rotating sockets available, either as bolt size conversion kits or individual parts. Further details on SBT metric conversion kits are detailed on pages 100 & 101. All SBT bolt tensioners are designed and manufactured with a wear coated piston, maximum stroke indicator, self energising high pressure seals, dual quick connect couplers, for easy multiple tensioner hook up and operate at pressures up to 1500 Bar maximum.

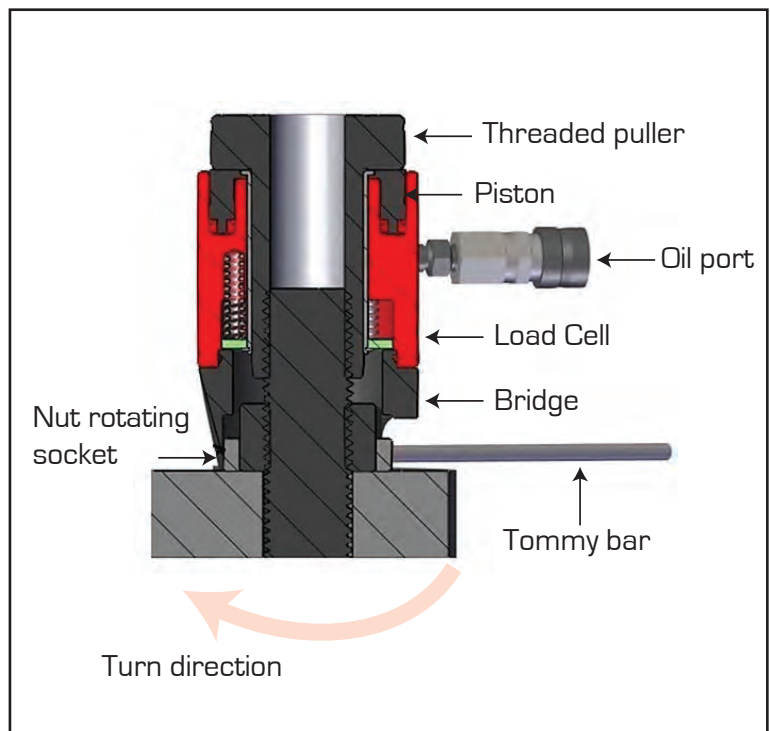
Suitable hydraulic pumps and high pressure hydraulic hose assemblies for use with SBT tensioners are detailed on pages 115 & 116 of this catalogue.

- >> Nitrocarburised piston
- >> Maximum piston stroke indicator
- >> Spring assisted return
- >> User friendly operating and maintenance procedure



Don't forget to order your tommy bars when purchasing Hi-Force hydraulic tensioners. We recommend the purchase of one tommy bar for every four hydraulic tensioners.

Tensioner range	Tommy bar
SBT2	TTB08
SBT3	TTB10
SBT4	TTB10
SBT5	TTB14
SBT6	TTB14



SBT - SPRING RETURN BOLT TENSIONERS - METRIC



SBT3-M42B1

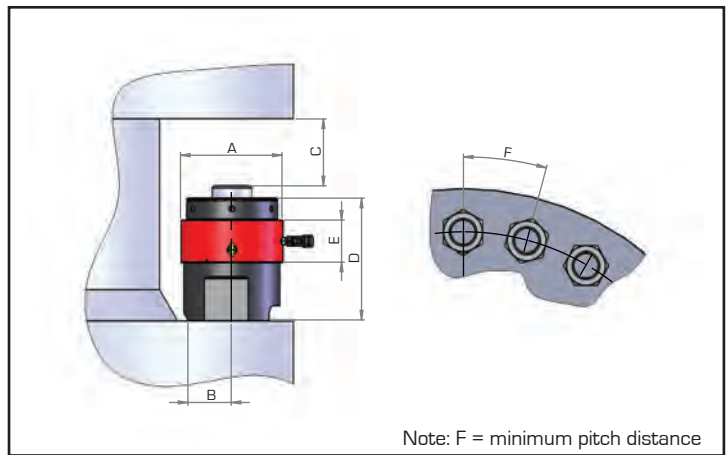
Bolt sizes from M30 to M100

Modular design for optimum versatility

Dual quick connect couplings for easy connection



Conversion kits for SBT metric range of bolt tensioners can be found on pages 100 and 101 of this catalogue.



Note: F = minimum pitch distance

Model number	Bolt thread size	Thread pitch	Capacity kN	Capacity tonnes	Effective area cm ²	Stroke mm	Weight kg
SBT2-M30B1	M30	3.5	457	46.6	30.5	15	4.0
SBT2-M33B1	M33	3.5	457	46.6	30.5	15	4.0
SBT2-M36B1	M36	4	457	46.6	30.5	15	4.0
SBT2-M39B1	M39	4	457	46.6	30.5	15	4.0
SBT3-M42B1	M42	4.5	822	83.8	54.8	15	6.7
SBT3-M45B1	M45	4.5	822	83.8	54.8	15	6.7
SBT3-M45B2	M45	4.5	822	83.8	54.8	15	6.7
SBT3-M48B1	M48	5	822	83.8	54.8	15	6.7
SBT3-M48B2	M48	5	822	83.8	54.8	15	6.7
SBT3-M52B2	M52	5	822	83.8	54.8	15	6.7
SBT4-M48B1	M48	5	1264	128.9	84.3	15	11.0
SBT4-M52B1	M52	5	1264	128.9	84.3	15	11.0
SBT4-M52B2	M52	5	1264	128.9	84.3	15	11.0
SBT4-M56B2	M56	5.5	1264	128.9	84.3	15	11.0
SBT4-M60B2	M60	5.5	1264	128.9	84.3	15	11.0
SBT4-M64B2	M64	6	1264	128.9	84.3	15	11.0
SBT5-M64B1	M64	6	1833	186.9	122.2	15	16.5
SBT5-M68B1	M68	6	1833	186.9	122.2	15	16.5
SBT5-M72B1	M72	6	1833	186.9	122.2	15	16.5
SBT5-M76B1	M76	6	1833	186.9	122.2	15	16.5
SBT6-M76B1	M76	6	2649	270.0	176.6	15	24.0
SBT6-M80B1	M80	6	2649	270.0	176.6	15	24.0
SBT6-M85B1	M85	6	2649	270.0	176.6	15	24.0
SBT6-M90B1	M90	6	2649	270.0	176.6	15	24.0
SBT6-M95B3	M95	6	2649	270.0	176.6	15	24.0
SBT6-M100B3	M100	6	2649	270.0	176.6	15	24.0

Dimensions in mm					
A	B	C min	D	E	F
102	39	132	164	91	71
102	39	127	164	91	74
102	39	123	164	91	77
102	39	123	164	91	80
137	47	145	188	94	91
137	47	142	188	94	105
137	47	147	193	94	97
137	47	139	188	94	105
137	47	144	193	94	105
137	47	140	193	94	97
167	50	150	197	97	105
167	50	145	197	97	108
167	62	160	213	97	120
167	62	155	213	97	120
167	62	150	213	97	124
167	62	145	213	97	126
209	73	164	229	102	134
209	73	159	229	102	136
209	73	156	229	102	139
209	73	149	229	102	142
246	84	176	254	103	158
246	84	172	254	103	160
246	84	169	254	103	162
246	84	162	254	103	170
246	96	194	295	103	184
246	96	189	295	103	190

Note: Weight is for load cell and bridge only. Total weight of complete assembly depends on size of puller and nut rotating socket selected. Tommy bars are not included. Hi-Force recommends one tommy bar for every four tensioners, please see page 98 for ordering code.