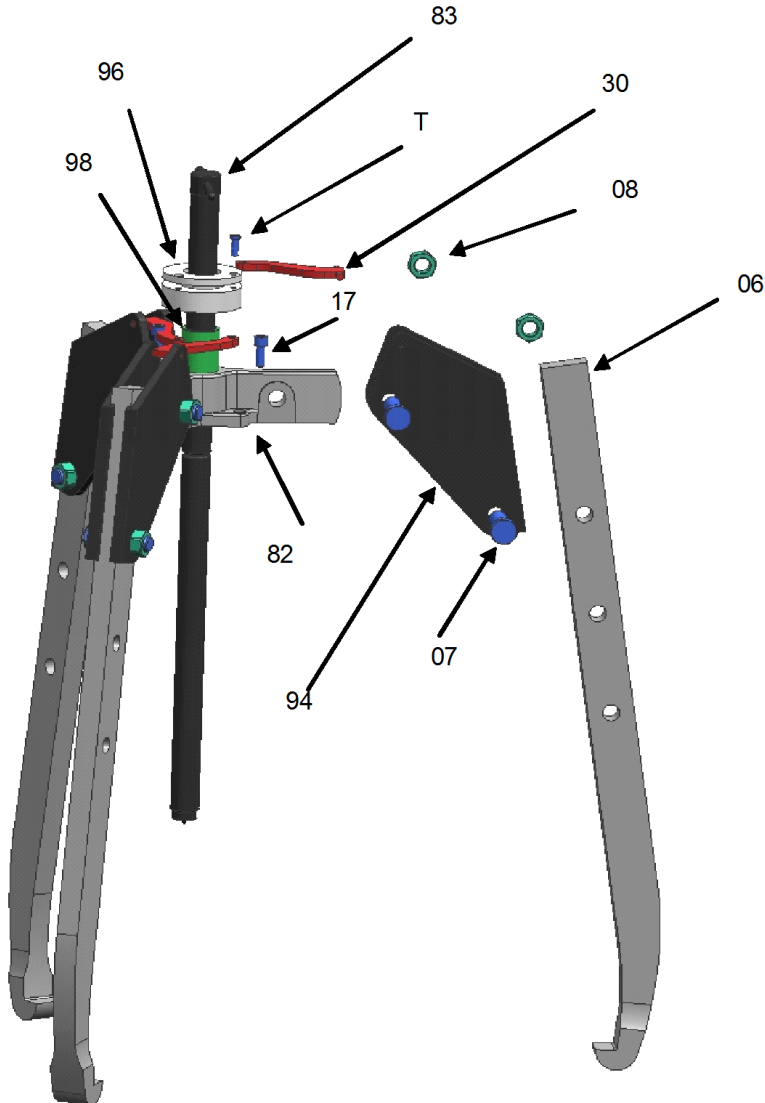


PART NO/ DESC.	6. LEG.	7. STRAP BOLT.	8. STRAP NUT	17. CROSSHD BOLT	30. LINK	82. CROSSHEAD	83. ADJ SCREW	94. LEG PLATE	96. LINK PLATE	98 BUSH.
ACP10	131006TH	131007TH	131008TH	131017TH	131030TH	131082TH	131083TH	131094TH	131096TH	131098TH
ACP20	131806TH	131807TH	131808TH	131817TH	131830TH	131882TH	131883TH	131894TH	131896TH	131898TH
ACP30	133006TH	133007TH	133008TH	133017TH	133030TH	133082TH	133083TH	133094TH	133096TH	133098TH
ACP50	135206TH	135207TH	135208TH	135217TH	135230TH	135282TH	135283TH	135294TH	135296TH	135298TH

REVISION

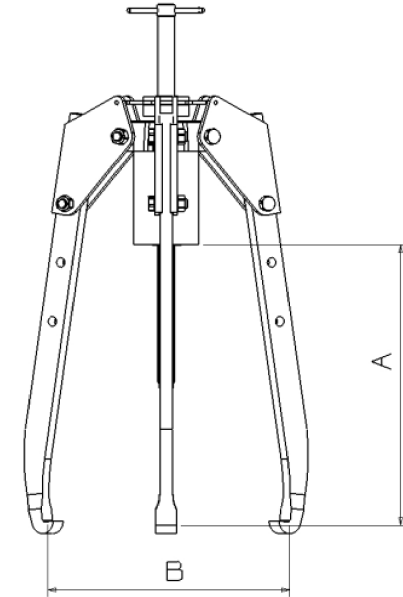
1 4096

- 2
- 3
- 4
- 5
- 6
- 7
- 8
- 9
- 10
- 11
- 12
- 13
- 14
- 15
- 16
- 17
- 18
- 19
- 20



NOTE: CYLINDER NOT SHOWN.
SEE SEPERATE SHEET FOR SPARE
PARTS.

PULLER	CYLINDER
ACP10	HHS102
ACP20	HHS202
ACP30	HHS302
ACP50	HHS603



Ref.	T	
ACP10	M6x25	DIN912
ACP20	230107	
ACP30	230207	
ACP50	230207	

Ref.	A	ØB Máx.	ØB Min.
ACP10	296	350	50
ACP20	320	480	70
ACP30	407	580	90
ACP50	727	920	120

IMPORTANT
WHEN ORDERING SPARES YOU MUST STATE THE FULL PART NUMBER AND THE
PRODUCT SERIAL NUMBER - FROM THE LABEL
TO PROTECT YOUR WARRANTY ALWAYS USE GENUINE HI-FORCE PARTS.