

**AHP11 | AIR DRIVEN SINGLE STAGE HAND OR FOOT OPERATED PUMPS**



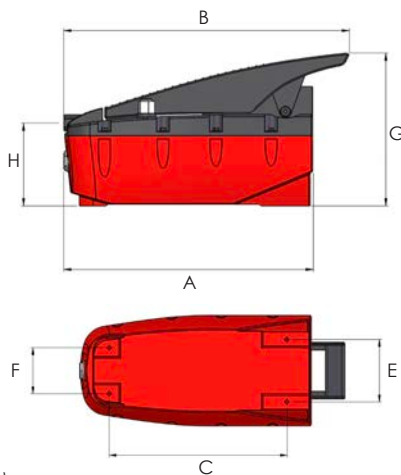
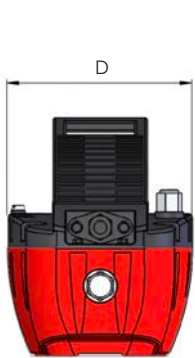
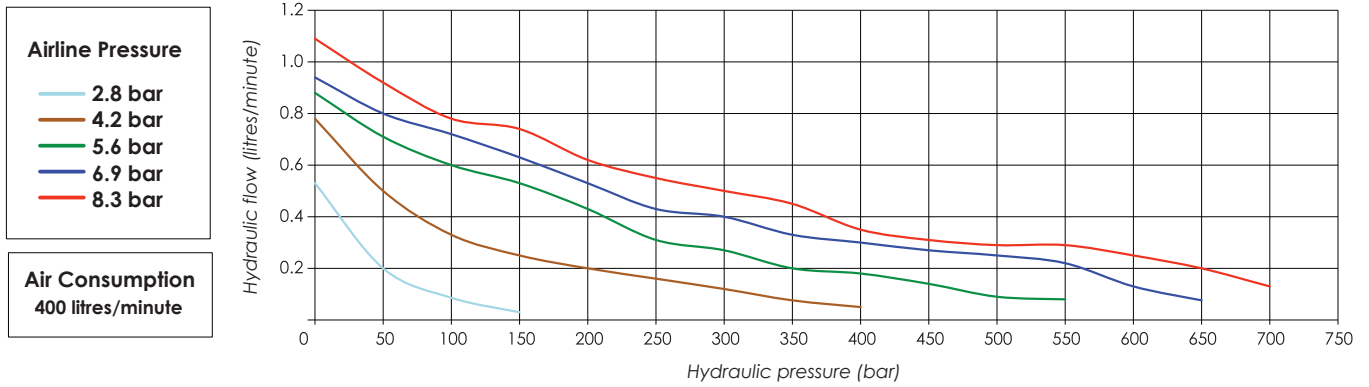
Working pressure 700 bar

Compact, lightweight & powerful

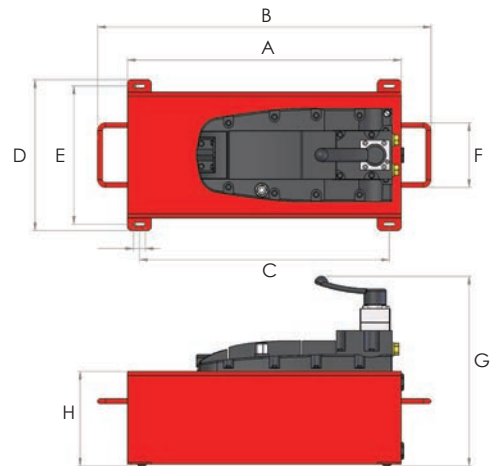
Choice of 2.4, 5 or 10 litres oil reservoir

- ▶ Choice of 2-way or 4-way control valves
- ▶ Safety overload protection valve fitted as standard
- ▶ All models fitted with steel oil reservoir (excluding AHP1120)
- ▶ Optional remote pendant controller available. Suffix model number with 'R'

Oil flow / Pressure chart



AHP1120 (plastic oil reservoir)  
AHP1121 (metal oil reservoir)  
AHP1122 (metal oil reservoir)



AHP1141 (metal oil reservoir)  
AHP1142 (metal oil reservoir)

Model number	Maximum flow rate (litres/minute)	Valve type	Usable oil capacity (litres)	Air inlet connection G	Oil outlet connection NPTF	Weight (kg)	Dimensions (mm)							
							A	B	C	D	E	F	G	H
AHP1120	0.8	2-way	2.4	1/4"	3/8"	4.7	365	*	237	157	66-90	*	210	125
AHP1121	0.8	2-way	5	1/4"	3/8"	9.0	420	*	380	240	220	*	223	114
AHP1122	0.8	2-way	10	1/4"	3/8"	17.8	464	560	*	210	*	108	274	158
AHP1141	0.8	4-way	5	1/4"	3/8"	9.5	420	*	380	240	220	*	265	114
AHP1142	0.8	4-way	10	1/4"	3/8"	18.3	464	560	*	210	*	*	315	158

\*Not Applicable