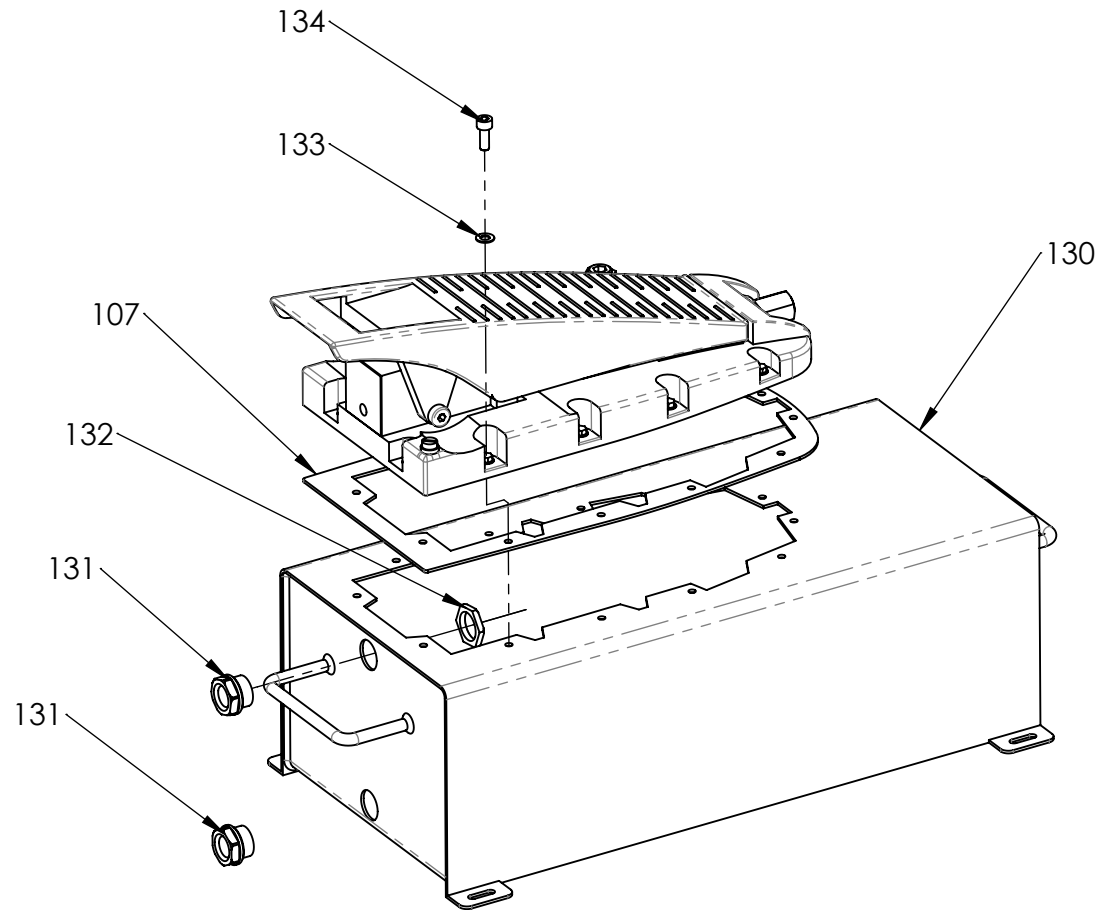


SEE SHEET 2 FOR TANK
DETAILS ON AHP1122

AHP1120 AND AHP1121

IMPORTANT
WHEN ORDERING SPARES YOU MUST STATE THE FULL PART NUMBER AND THE
PRODUCT SERIAL NUMBER - FROM THE LABEL
TO PROTECT YOUR WARRANTY ALWAYS USE GENUINE HI-FORCE PARTS.

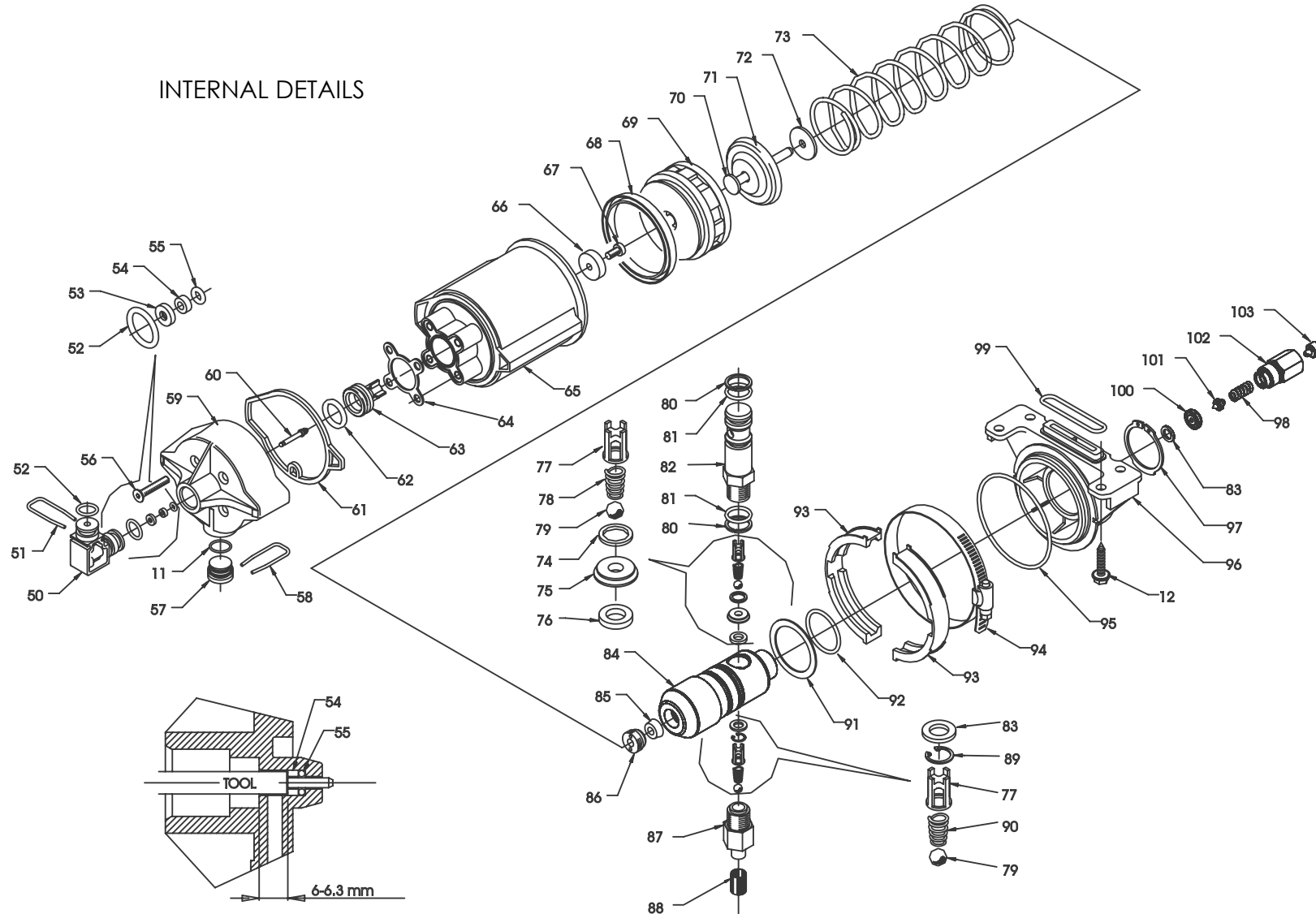


AHP1122 ONLY - ALL OTHER PARTS
AS SHEET 1 AND SHEET 3

IMPORTANT

WHEN ORDERING SPARES YOU MUST STATE THE FULL PART NUMBER AND THE
PRODUCT SERIAL NUMBER - FROM THE LABEL
TO PROTECT YOUR WARRANTY ALWAYS USE GENUINE HI-FORCE PARTS.

INTERNAL DETAILS



IMPORTANT

WHEN ORDERING SPARES YOU MUST STATE THE FULL PART NUMBER AND THE PRODUCT SERIAL NUMBER - FROM THE LABEL TO PROTECT YOUR WARRANTY ALWAYS USE GENUINE HI-FORCE PARTS.

ITEM	DESCRIPTION	PART NO.
1	RESERVOIR UPF 2.5 Lt.	309310031
2	COVER UP - BLACK	182840011
3	COVER SEAL UPF 2.5 Lt.	X
4	OIL LEVEL 2.5 Lt.	428407010
6	IDENTIFICATION LABEL	193515051
7	AIR FILTER	X
8	SWIVEL COUPLER	128690040
9	SWIVEL COUPLER FLANGE	147010010
10	RETAINING RING	427270140
11	O-RING	X
12	THREAD-FORMING SCREW	426446355
13	O-RING	X
14	BEGINNING CYCLE PIN SPRING	151050300
15	QUAD-RING	X
16	PIN	102130090
17	QUAD-BALL	428630070
18	RELIEF VALVE SPRING	151050320
19	COGGED RETAINING RING	427260040
20	FOAM TUBE COVER	182840020
21	FOAM TUBE	139220120
22	THREAD-FORMING SCREW	426446385
23	FOOT PEDAL ATTACHMENT SCREW	196020030
24	FOOT PEDAL	171000040
25	RESERVOIR VENTILATION LABEL	193515053
26	O-RING	X
27	SCREW	426321170
28	O-RING	X
29	DRIVE ADJUSTING BLOCK	142100080
30	COPPER WASHER	X
31	RELEASE VALVE SEAT	172150150
32	COPPER WASHER	X
33	SPRING	151050330
34	BALL GUIDE SPRING	150060060

ITEM	DESCRIPTION	PART NO.
35	THREAD-FORMING SCREW	426446406
36	RELEASE GUIDE	131050080
37	SPRING	151100030
38	SPRING WASHER UPF	141500130
39	RETAINING RING	427180050
40	PLUNGER COVER	182880020
41	BK-RING	X
42	O-RING	X
43	PLUNGER	102150030
44	O-RING	X
45	BK-RING	X
46	O-RING	X
47	O-RING	X
48	FILTER PLUG	128690050
49	TAPER PLUG	426620250
50	COVER-HEAD ADAPTER	309040010
51	LOCKING ADAPTER STAPLE	141070010
52	O-RING	X
53	SEAL	X
54	BUSHING	116010010
55	O-RING	X
56	SCREW M5X0,8X25	426116057
57	HEAD PLUG	182050030
58	LOCKING HEAD STAPLE	141070020
59	HEAD	184000060
60	PLUNGER	102170010
61	SEAL	X
62	U CUP	X
63	PISTON	160900020
64	SEAL	X
65	CYLINDER	309000020
66	WASHER SEAL	X
67	SCREW	426310137
68	SEAL	X
69	PISTON	160900010

ITEMS MARKED X ARE AVAILABLE IN SERVICE KIT
AHP112TP1-K ONLY

IMPORTANT

WHEN ORDERING SPARES YOU MUST STATE THE FULL PART NUMBER AND THE
PRODUCT SERIAL NUMBER - FROM THE LABEL
TO PROTECT YOUR WARRANTY ALWAYS USE GENUINE HI-FORCE PARTS.

ITEM	DESCRIPTION	PART NO.
70	PISTON	160900040
71	SPRING WASHER	141500120
72	BUMPER	139220030
73	SPRING	151050310
74	COPPER WASHER	X
75	FEED PIN SEAT	172150040
76	COPPER WASHER	X
77	BALL GUIDE	150050020
78	SPRING	151100090
79	BALL	428620042
80	BK-RING	X
81	O-RING	X
82	PLUNGER	102040030
83	COPPER WASHER	X
84	BODY	131050090
85	SEAL	X
86	PISTON GUIDE HEAD	184000030
87	SUCTION FILTER ADAPTER	128510021
88	OIL FILTER	139000010
89	RETAINING RING	427160090
90	SPRING	151100100
91	SPRING SEAT WASHER	141500110
92	O-RING	X
93	STRAP SUPPORT	177000030
94	STANDARD PIPE CLAMP	427102100
95	O-RING	X
96	COVER	147130020
97	RETAINING RING	427150350
98	PEAK VALVE SPRING	151050030
99	SEAL	X
100	VALVE SEAT	172150030
101	SPEAR VALVE	182260010
102	PEAK VALVE ADAPTER	128630040

ITEM	DESCRIPTION	PART NO.
103	PEAK VALVE SPRIG	141400070
104	P.T.F.E. RING	141440010
105	RESERVOIR 5 Lt.	305170010
106	OIL LEVEL 5Lt.	428400011
107	COVER SEAL AHP1121 AHP1122	139220116
109	THREAD-FORMING SCREW 2.5 Lt.	426446355
109	THREAD-FORMING SCREW 5 Lt. .	426451345
130	RESERVOIR	TAC010AS007
131	LEVEL INDICATOR	BLC021YT010
132	NUT	NUC021-B000
133	WASHER	WAC006EB000
134	CAP HEAD SCREW	BLC006JD016

ITEMS MARKED X ARE AVAILABLE IN SERVICE KIT
AHP112TP1-K ONLY

IMPORTANT

WHEN ORDERING SPARES YOU MUST STATE THE FULL PART NUMBER AND THE
PRODUCT SERIAL NUMBER - FROM THE LABEL
TO PROTECT YOUR WARRANTY ALWAYS USE GENUINE HI-FORCE PARTS.