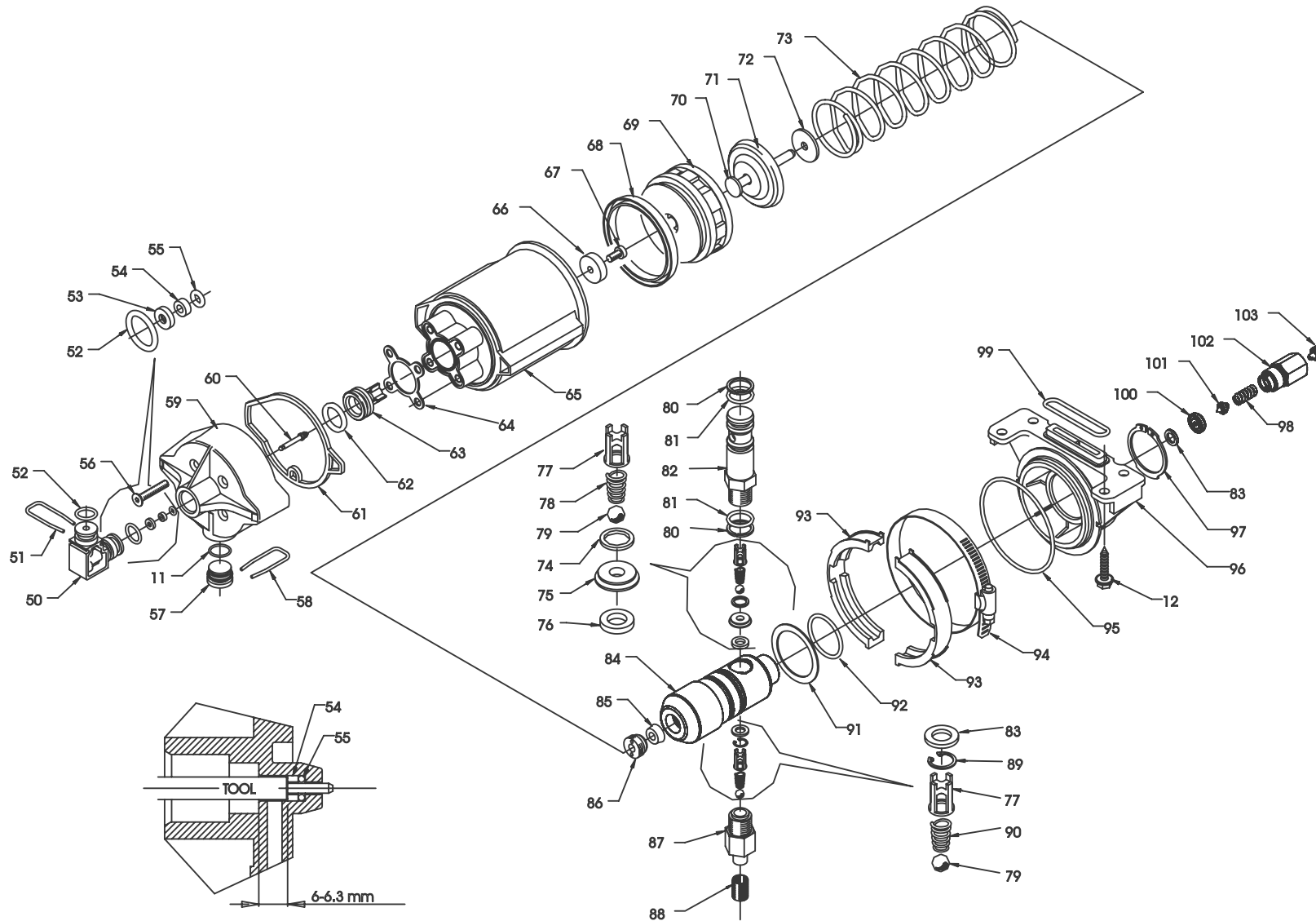


AHP1142 ONLY - ALL OTHER PARTS AS OTHER VIEW

IMPORTANT
WHEN ORDERING SPARES YOU MUST STATE THE FULL PART NUMBER AND THE PRODUCT SERIAL NUMBER - FROM THE LABEL TO PROTECT YOUR WARRANTY ALWAYS USE GENUINE HI-FORCE PARTS.



IMPORTANT

WHEN ORDERING SPARES YOU MUST STATE THE FULL PART NUMBER AND THE PRODUCT SERIAL NUMBER - FROM THE LABEL TO PROTECT YOUR WARRANTY ALWAYS USE GENUINE HI-FORCE PARTS.

ITEM	DESCRIPTION	PART NO.
7	AIR FILTER	X
8	SWIVEL COUPLER	128690040
9	SWIVEL COUPLER FLANGE	147010010
10	RETAINING RING	427270140
11	O-RING	X
12	THREAD-FORMING SCREW	426446355
13	O-RING	X
14	BEGINNING CYCLE PIN SPRING	151050300
15	QUAD-RING	X
16	PIN	102130090
17	QUAD-BALL	428630070
18	RELIEF VALVE SPRING	151050320
19	COGGED RETAINING RING	427260040
22	THREAD-FORMING SCREW	426446385
25	RESERVOIR VENTILATION LABEL	193515053
26	O-RING	X
27	SCREW	426321170
28	O-RING	X
35	THREAD-FORMING SCREW	426446406
46	O-RING	X
47	O-RING	X
48	FILTER PLUG	128690050
49	TAPER PLUG	426620250
50	COVER-HEAD ADAPTER	309040010
51	LOCKING ADAPTER STAPLE	141070010
52	O-RING	X
53	SEAL	X
54	BUSHING	116010010

ITEM	DESCRIPTION	PART NO.
55	O-RING	X
56	SCREW M5X0,8X25	426116057
57	HEAD PLUG	182050030
58	LOCKING HEAD STAPLE	141070020
59	HEAD	184000060
60	PLUNGER	102170010
61	SEAL	X
62	U CUP	X
63	PISTON	160900020
64	SEAL	X
65	CYLINDER	309000020
66	WASHER SEAL	X
67	SCREW	426310137
68	SEAL	X
69	PISTON	160900010
70	PISTON	160900040
71	SPRING WASHER	141500120
72	BUMPER	139220030
73	SPRING	151050310
74	COPPER WASHER	X
75	FEED PIN SEAT	172150040
76	COPPER WASHER	X
77	BALL GUIDE	150050020
78	SPRING	151100090
79	BALL	428620042
80	BK-RING	X
81	O-RING	X
82	PLUNGER	102040030
83	COPPER WASHER	X
84	BODY	131050090
85	SEAL	X
86	PISTON GUIDE HEAD	184000030
87	SUCTION FILTER ADAPTER	128510021
88	OIL FILTER	139000010

ITEMS MARKED X ARE AVAILABLE IN SERVICE KIT
 AHP114TP1-K ONLY

www.hi-force.com

IMPORTANT

WHEN ORDERING SPARES YOU MUST STATE THE FULL PART NUMBER AND THE
 PRODUCT SERIAL NUMBER - FROM THE LABEL
 TO PROTECT YOUR WARRANTY ALWAYS USE GENUINE HI-FORCE PARTS.

ITEM	DESCRIPTION	PART NO.
89	RETAINING RING	427160090
90	SPRING	151100100
91	SPRING SEAT WASHER	141500110
92	O-RING	X
93	STRAP SUPPORT	177000030
94	STANDARD PIPE CLAMP	427102100
95	O-RING	X
96	COVER	147130020
97	RETAINING RING	427150350
98	PEAK VALVE SPRING	151050030
99	SEAL	X
100	VALVE SEAT	172150030
101	SPEAR VALVE	182260010
102	PEAK VALVE ADAPTER	128630040
103	PEAK VALVE SPRIG	141400070
104	P.T.F.E. RING	141440010
105	CONNECTING PIN	141210110
106	LOWER TREADLE	171000050
107	RETAINING RING	427270060
108	TREADLE SPRING	151050140
109	RELEASE LABEL	193517055
110	LOCKING PIN	141210100
111	LOCKING SPRING	151050350
112	WASHER	426826020
113	LOCKING LABEL	193517054
114	UPPER TREADLE	171000051
115	BLOCK	142100090
116	SEAL BLOCK	139220130
117	PROTECTION PLATE	162040010
118	SCREW	426074062
119	MANUAL 4/3 DIRECT. CONTROL VALVE	455750010
120	BLOCK	142100140
121	SILENCER	139220140

ITEM	DESCRIPTION	PART NO.
122	PRESSURE GAUGE 0-1000 BAR	455040010
123	COVER SEAL AHP1141, AHP1142	139220116
124	OIL LEVEL AHP1141	428400011
125	STEEL RESERVOIR AHP1141	305170010
130	STEEL RESEVOIR AHP1142	TAC010AS007
131	LEVEL INDICATOR	BLC021YT010
132	NUT	NUC021-B000
133	WASHER	WAC006EB000
134	CAP HEAD SCREW	BLC006JD016

ITEMS MARKED X ARE AVAILABLE IN SERVICE KIT
AHP114TP1-K ONLY

IMPORTANT

WHEN ORDERING SPARES YOU MUST STATE THE FULL PART NUMBER AND THE
PRODUCT SERIAL NUMBER - FROM THE LABEL
TO PROTECT YOUR WARRANTY ALWAYS USE GENUINE HI-FORCE PARTS.