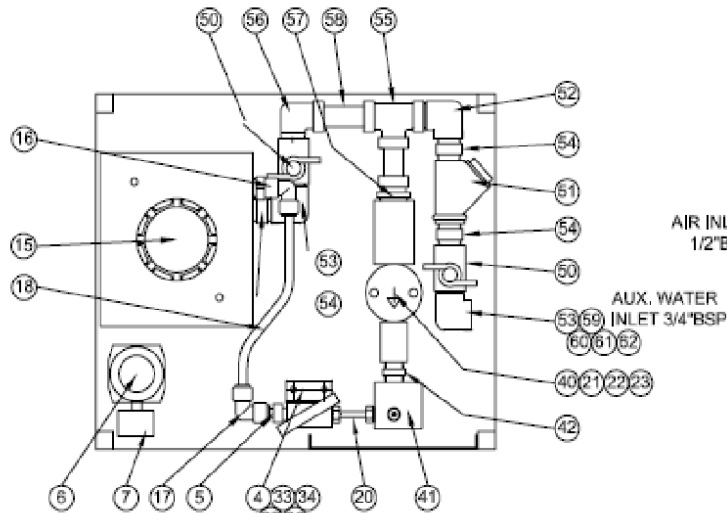
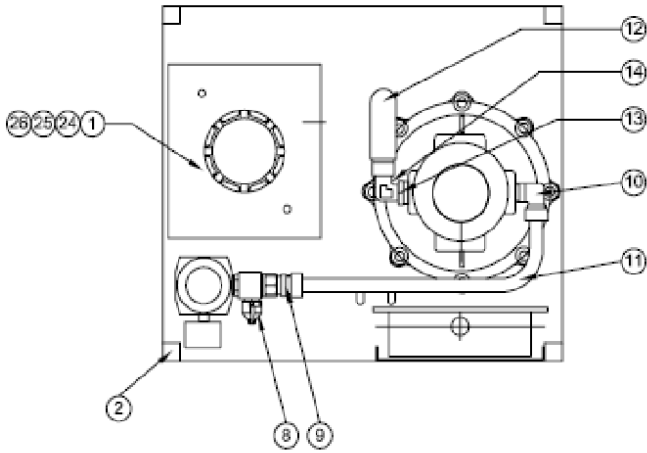
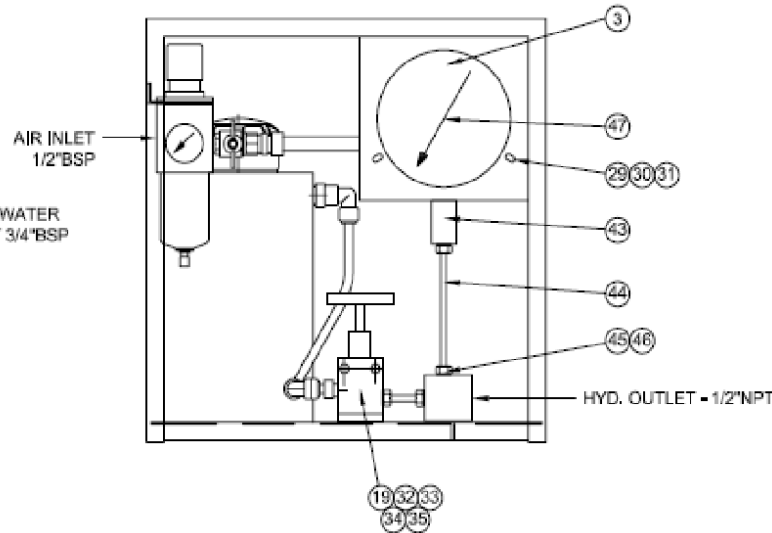


LAYOUT OF PNEUMATIC PIPEWORK



LAYOUT OF HYDRAULIC PIPEWORK



1	AHP10-425-1	7.5L TANK	1
2	AHP2-036-237-2	FRAME	1
3	AHP10-425-3	GAUGE GUARD	1
4	AHP10-425-4	GAUGE BRACKET	1
5	AHP10-425-5	ADAPTOR	1
6	AHP2-036-237-6	FILTER REGULATOR LUBRICATOR	1
7	AHP10-425-7	0-10 BAR AIR GAUGE	1
8	AHP10-425-8	AIR ON/OFF VALVE	1
9	AHP10-425-9	1/2" O/D MALE COUPLING	1
10	AHP10-425-10	1/2" O/D MALE ELBOW	1
11	AHP2-036-237-11	COPPER TUBE TO FIT	1
12	AHP10-425-12	SILENCER	1
13	AHP2-036-237-13	REDUCING BUSH	1
14	AHP2-036-237-14	1/2" MALE/ FEMALE ELBOW	1
15	AHP10-425-14	FILLER/ BREATHER	1
16	AHP10-425-15	3/8" O/D X 3/8" BSP MALE ELBOW	1
17	AHP10-425-16	3/8" O/D EQUAL ELBOW	1
18	AHP10-425-17	3/8" O/D NYLON TUBE	1
19	AHP10-425-18	PRESSURE RELEASE VALVE	1
20	AHP10-425-19	1/4 O/D NIPPLE X 2.75 LONG	1
21	AHP10-425-20	HEX HEAD SET SCREW	2
22	AHP10-425-21	PLAIN WASHER	2
23	AHP10-425-22	SPRING WASHER	2
24	AHP10-425-23	HEX HEAD SET SCREW	2
25	AHP10-425-24	PLAIN WASHER	2
26	AHP10-425-25	SPRING WASHER	2
27	AHP10-425-26	LABEL	1
28	AHP10-425-27	DRIVE PIN	2
29	AHP10-425-28	BUTTON HEAD S/S SCREW	2
30	AHP10-425-29	S/S NUT	2
31	AHP10-425-30	S/S WASHER	2
32	AHP10-425-31	HEX HEAD S/S SCREW	2
33	AHP10-425-32	S/S PLAIN WASHER	5
34	AHP10-425-33	S/S SPRING WASHER	4
35	AHP10-425-34	S/ NUT	4
36	AHP10-425-35	HEX HEAD SCREW	2
40	AHP2-036P-40	PUMP	1
41	AHP10-58-41	OUTLET BLOCK	1
42	AHP10-58-42	1/2" NPT/S/S HEX NIPPLE	1
43	AHP10-103-43	GAUGE ADAPTOR	1
44	AHP2-036P-44	GAUGE PIPE	1
45	AHP10-425-45	GLAND NUT	1
46	AHP10-425-46	COLLAR	1
47	AHP2-036P-44	GAUGE	1
50	AHP10-26-50	BALL VALVE	2
51	AHP10-26-51	BRASS STRAINER	1
52	AHP10-26-52	M/F ELBOW	1
53	AHP10-53	F/F ELBOW	2
54	AHP10-54	HEX NIPPLE	3
55	AHP10-55	TEE	1
56	AHP10-56	MALE ELBOW	1
57	AHP10-57	MALE COUPLING	1
58	AHP10-58	COPPER TUBE	1
59	AHP10-26-59	1 1/2" U CLAMP M6	1
60	AHP10-26-60	M6 NUT	2
61	AHP10-26-61	M6 PLAIN WASHER	2
62	AHP10-26-62	M6 SPRING WASHER	2

REVISION

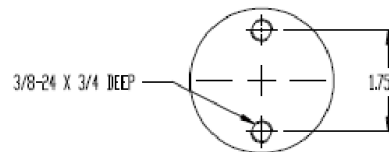
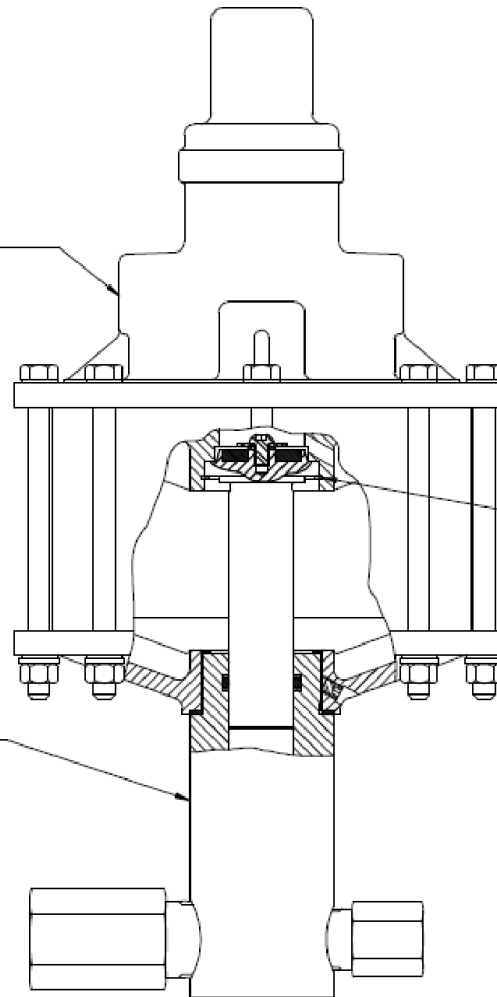
1	
2	5517
3	5522
4	
5	
6	
7	
8	
9	
10	
11	
12	
13	
14	
15	
16	
17	
18	
19	
20	

**IMPORTANT**  
WHEN ORDERING SPARES YOU MUST STATE THE FULL PART NUMBER AND THE PRODUCT SERIAL NUMBER - FROM THE LABEL TO PROTECT YOUR WARRANTY ALWAYS USE GENUINE HI-FORCE PARTS.

AIR MOTOR  
AHP2-036-237AM

HYDRAULIC ASSEMBLY  
AHP2-036H

RETAINING RING  
AHP10-425AM-22



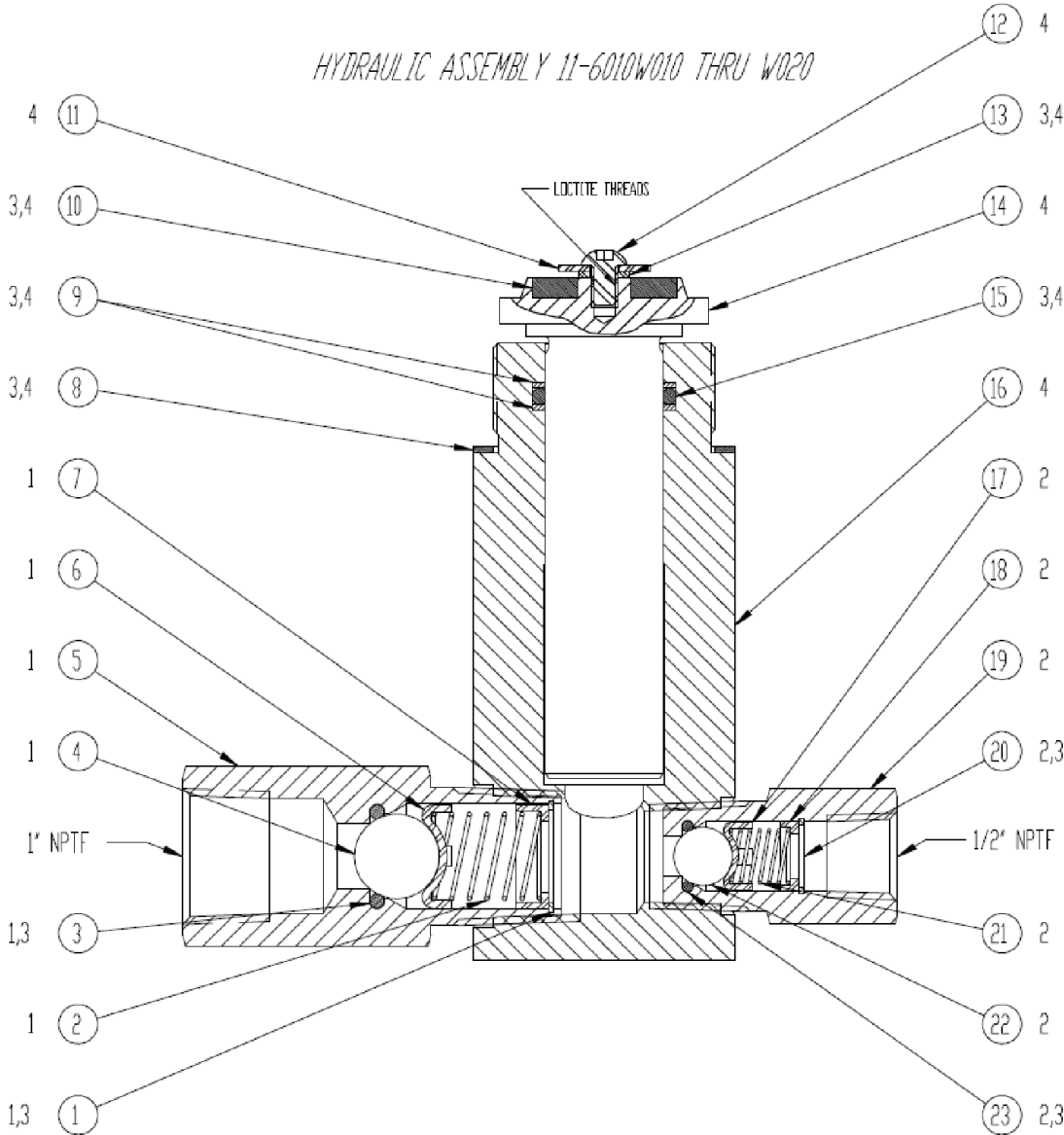
REVISION

1	
2	5517
3	5522
4	
5	
6	
7	
8	
9	
10	
11	
12	
13	
14	
15	
16	
17	
18	
19	
20	

**IMPORTANT**

WHEN ORDERING SPARES YOU MUST STATE THE FULL PART NUMBER AND THE PRODUCT SERIAL NUMBER - FROM THE LABEL TO PROTECT YOUR WARRANTY ALWAYS USE GENUINE HI-FORCE PARTS.

HYDRAULIC ASSEMBLY 11-6010W010 THRU W020



1	AHP10H-1	RETAINING RING	1
2	AHP10H-2	SPRING	1
3	AHP10H-3	O-RING	1
4	AHP10H-4	CHECK BALL	1
5	AHP10H-5	SEAT-INLET	1
<b>5A</b>	<b>AHP10-425H-5A</b>	<b>INLET CHECK VALVE ASSY</b>	<b>1</b>
6	AHP10H-6	BALL GUIDE	1
7	AHP10H-7	SPRING GUIDE	1
8	AHP10-425H-8	GASKET	1
9	AHP2-036H-9	BACK UP RING	2
10	AHP10-425H-10	PISTON BUMPER	1
11	AHP10-425H-11	FENDER WASHER	1
12	AHP10-425H-12	BUTTON HEAD CAP SCREW	1
13	AHP10H-13	HELICAL SPRING LOCK WASHER	1
14	AHP2-036H-14	HYDRAULIC PISTON	1
15	AHP2-036H-15	O-RING	1
16	AHP2-036H-16	HYDRAULIC CYLINDER	1
17	AHP10H-17	BALL GUIDE	1
18	AHP10H-18	SPRING GUIDE	1
19	AHP10H-19	SEAT-OUTLET	1
<b>19A</b>	<b>AHP10-425H-19A</b>	<b>OUTLET CHECK VALVE ASSY</b>	<b>1</b>
20	AHP26-107H-1	RETAINING RING	1
21	AHP26-107H-2	SPRING	1
22	AHP10H-22	CHECK BALL	1
23	AHP10H-23	O-RING	1

REVISION

1	
2	5517
<b>3</b>	5522
4	
5	
6	
7	
8	
9	
10	
11	
12	
13	
14	
15	
16	
17	
18	
19	
20	

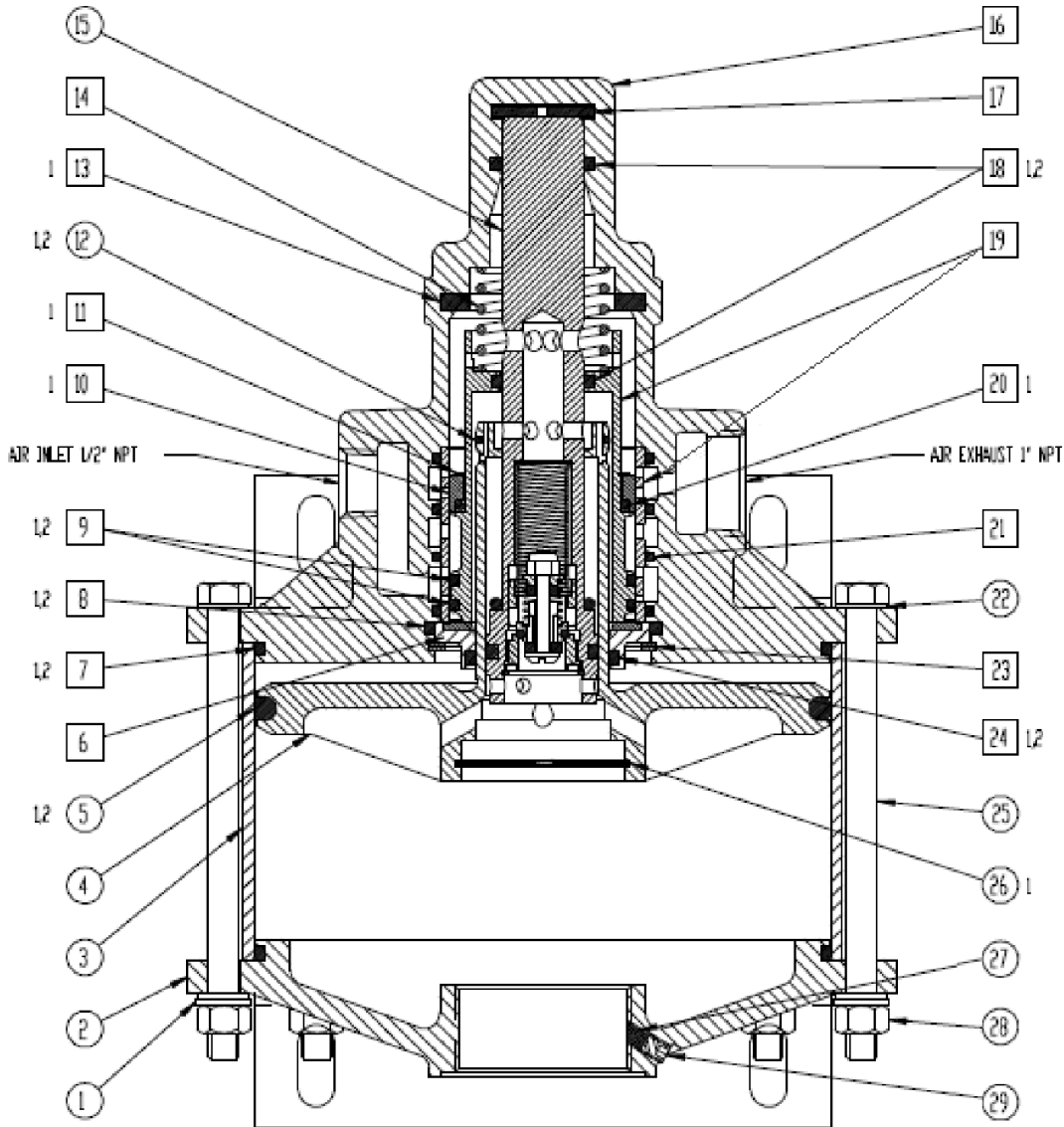
3. INCLUDED IN AHP2-036HK ONLY.

2. INCLUDED IN AHP10-425H-19A ONLY

1. INCLUDED IN AHP10-425H-5A ONLY

**IMPORTANT**

WHEN ORDERING SPARES YOU MUST STATE THE FULL PART NUMBER AND THE PRODUCT SERIAL NUMBER - FROM THE LABEL TO PROTECT YOUR WARRANTY ALWAYS USE GENUINE HI-FORCE PARTS.



1	AHP2-036-237 AM-1	WASHER-LOCK	8
2	AHP2-036-237 AM-2	END	1
3	AHP2-036-237 AM-3	CYLINDER AIR	1
4	AHP2-036-237 AM-4	PISTON AIR	1
5	AHP2-036-237 AM-5	O-RING	1
6	AHP10-425AM-7	BEARING ASSEMBLY	1
7	AHP2-036-237 AM-7	O-RING	2
8	AHP10-425AM-8	O-RING	1
9	AHP2-036-237 AM-9	O-RING	2
10	AHP2-036-237 AM-10	SEAL DRY	1
11	AHP2-036-237 AM-11	RETAINING RING	1
12	AHP10-425AM-9	O-RING	1
13	AHP10-425AM-11	BUMPER	1
14	AHP2-036-237 AM-14	SPRING	1
15	AHP2-036-237 AM-15	PILOT VALVE ASSY	1
16	AHP2-036-237 AM-16	HEAD	1
17	AHP10-425AM-15	BUMPER	1
18	AHP10-425AM-16	O-RING	2
19	AHP2-036-237 AM-19	PISTON-APA & SLEEVE-APA	1
20	AHP2-036-237 AM-21	O-RING	1
21	AHP10-425AM-17	O-RING	4
22	AHP2-036-237 AM-23	WASHER-FLAT	16
23	AHP10-425AM-19	RETAINING RING	1
24	AHP10-425AM-20	O-RING	1
25	AHP2-036-237 AM-26	BOLT HEX	8
26	AHP10-425AM-22	RETAINING RING	1
27	AHP10-425AM-24	PLUG - BUNA	1
28	AHP2-036-237 AM-29	NUT-HEX	8
29	AHP2-036-237 AM-30	SET SCREW-HEX SOCKET	1
	<b>AHP2-036-237K</b>	<b>SEAL KIT</b>	<b>1</b>
	<b>AHP2-036-237RK</b>	<b>REPAIR KIT</b>	<b>1</b>
	<b>AHP2-036-237AM</b>	<b>COMPLETE AIR MOTOR</b>	<b>1</b>
	<b>AHP2-036-237HD</b>	<b>AIR MOTOR COMPLETE HEAD</b>	<b>1</b>

REVISION

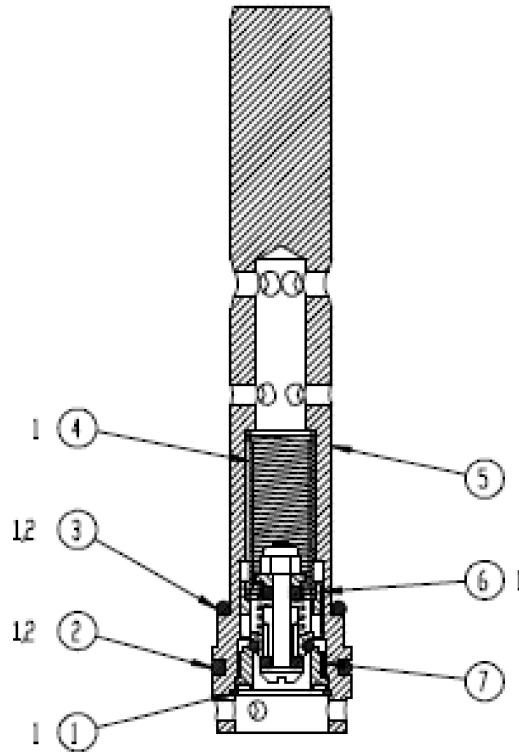
1	
2	5517
<b>3</b>	<b>5522</b>
4	
5	
6	
7	
8	
9	
10	
11	
12	
13	
14	
15	
16	
17	
18	
19	
20	

**IMPORTANT**

WHEN ORDERING SPARES YOU MUST STATE THE FULL PART NUMBER AND THE PRODUCT SERIAL NUMBER - FROM THE LABEL TO PROTECT YOUR WARRANTY ALWAYS USE GENUINE HI-FORCE PARTS.

REVISION

1	
2	5517
<b>3</b>	5522
4	
5	
6	
7	
8	
9	
10	
11	
12	
13	
14	
15	
16	
17	
18	
19	
20	



1	AHP2-036-237PV-1	RETAINING RING	1
2	AHP10-425PV-2	O-RING	1
3	AHP10-425PV-3	O-RING	1
4	AHP2-036-237PV-4	SPRING	1
5	AHP2-036-237PV-5	valve body	1
6	AHP2-036-237PV-6	AIR CHECK ASSY	1
7	AHP10-425PV-7	SEAT	1

2. INCLUDED IN AIR MOTOR SEAL KIT: AHP2-036-237K

1. INCLUDED IN AIR MOTOR REPAIR KIT: AHP2-036-237RK

**IMPORTANT**

WHEN ORDERING SPARES YOU MUST STATE THE FULL PART NUMBER AND THE PRODUCT SERIAL NUMBER - FROM THE LABEL TO PROTECT YOUR WARRANTY ALWAYS USE GENUINE HI-FORCE PARTS.