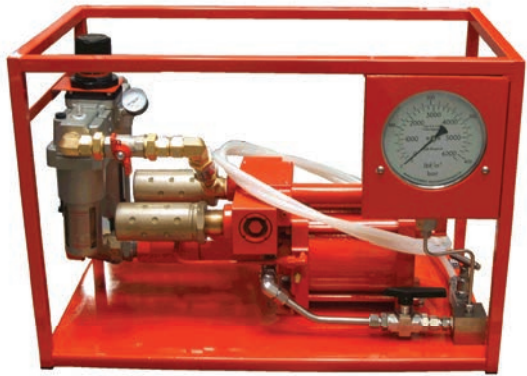


**AHP3 | AIR DRIVEN HYDROTEST PUMPS - HIGH FLOW**

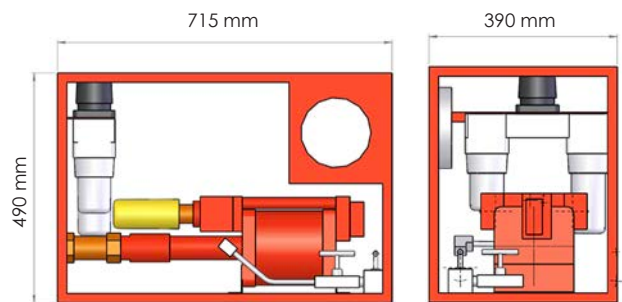


Output pressures up to 700 bar

Suitable for use with various fluids

150 mm dual scale vibra pressure gauge

- ▶ Infinitely variable output pressure and fluid displacement speed
- ▶ Integral inlet air filtration and lubrication unit with air pressure gauge
- ▶ Airline regulator for easy setting of input air and output hydraulic pressure
- ▶ Maximum air consumption of 4.96 m<sup>3</sup> (175 scfm) per minute at 7 bar
- ▶ Smooth and easily operated hydraulic pressure hold and release valve
- ▶ Fluid inlet port of 1¼" BSPF with integral Y-type fluid strainer
- ▶ Fitted with input air pump start/stop valve for easy and fast pressure shut off
- ▶ Robust powder coated stainless steel protective framework
- ▶ Optional stroke counter system, chart recorder and isolation section for chemical duty available on request



Model number	Max output pressure (bar) at airline input pressure			Fluid volume displacement per stroke (cm <sup>3</sup> )	Outlet port thread	Weight (kg)
	15 psi 1.04 bar	50 psi 3.45 bar	100 psi 6.9 bar			
AHP3-040	41.4	137.9	275.8	98.3	½" NPT	40
AHP3-060	62.1	206.9	413.7	57.4	½" NPT	40
AHP3-100	103.4	344.8	689.5	34.4	½" NPT	40

Hydraulic pressure psi	bar	Approximate rate of discharge (litres/min) at air input pressure 100 psi (7 bar)		
		AHP3-040	AHP3-060	AHP3-100
0	0	18.35	15.63	11.96
500	34.5	14.42	12.85	10.49
1000	68.9	10.81	10.51	8.69
1500	103.4	7.21	8.57	7.05
2000	137.9	5.9	6.97	5.65
2500	172.4	4.26	5.66	4.83
3000	206.8	2.62	4.6	4.18
3500	241.3	1.31	3.74	3.85
4000	275.8	0	3.02	3.52
4500	310.3	*	2.4	3.03
5000	344.8	*	1.84	2.79
5500	379.2	*	1.27	2.62
6000	413.7	*	0.65	2.46
6500	448.2	*	*	1.88
7000	482.6	*	*	1.39
7500	517.1	*	*	1.15
8000	551.6	*	*	0.9
8500	586.1	*	*	0.66
9000	620.5	*	*	0.49
9500	655	*	*	0.33
10000	689.5	*	*	0.16

\* Pressure exceeds pump capacity