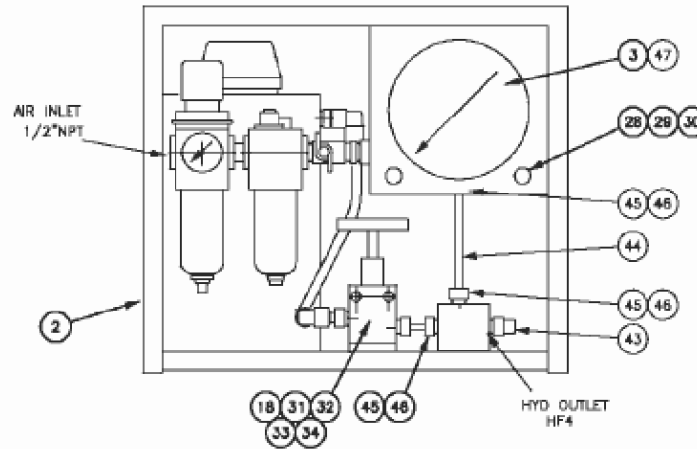
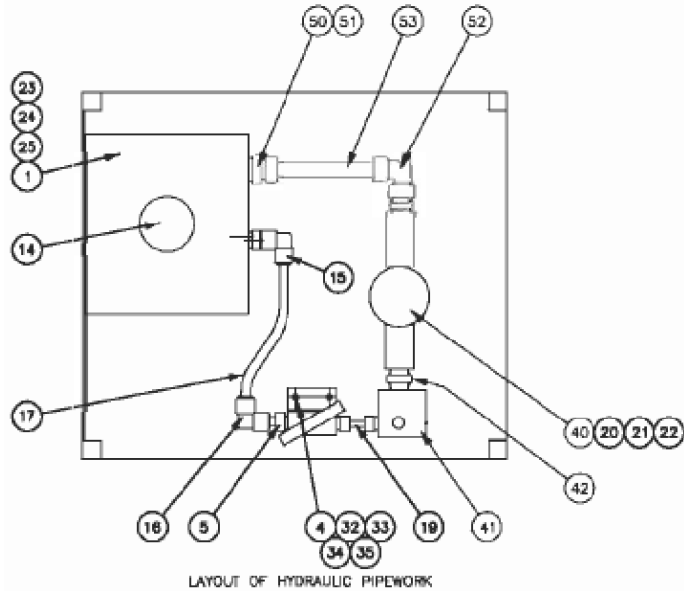
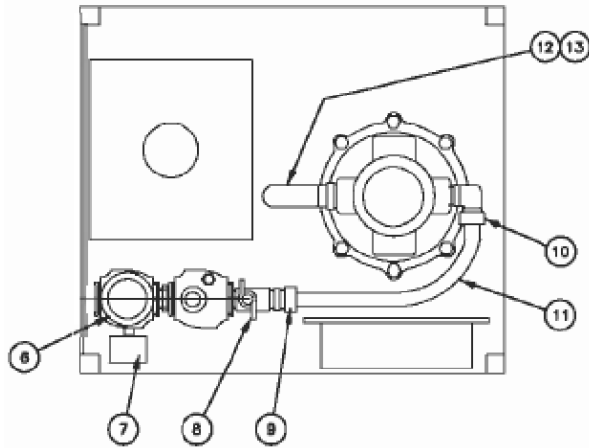


LAYOUT OF PNEUMATIC PIPEWORK



Item	HI-FORCE Part Number	Description	Qty
1	AHP10-425-1	7.5 LITRE TANK	1
2	AHP10-425-2	FRAME	1
3	AHP10-425-3	GAUGE GUARD	1
4	AHP10-425-4	VALVE BRACKET	1
5	AHP10-425-5	HM4 x 3/8 OD ADAPTOR	1
6	AHP10-425-6	FRL UNIT	1
7	AHP10-425-7	0-10 BAR AIR GAUGE 1/8 BSP	1
8	AHP10-425-8	AIR ON/OFF VALVE	1
9	AHP10-425-9	1/2" OD MALE COUPLING	1
10	AHP10-425-10	1/2" OD MALE ELBOW	1
11	AHP10-425-11	COPPER TUBE	1
12	AHP10-425-12	SILENCER	1
13	AHP10-425-13	REDUCING BUSH 3/4 - 1/2	1
14	AHP10-425-14	FILLER BREATHER	1
15	AHP10-425-15	3/8" OD x 3/8 BSPT MALE ELBOW	1
16	AHP10-425-16	3/8 OD EQUAL ELBOW	1
17	AHP10-425-17	3/8" OD NYLON TUBE	1
18	AHP425-18	PRESSURE RELEASE VALVE	1
19	AHP10-425-19	1/4 OD NIPPLE X 2.75 LONG	1
20	AHP10-425-20	HEX HEAD SET SCREW	2
21	AHP10-425-21	PLAIN WASHER	2
22	AHP10-425-22	SPRING WASHER	2
23	AHP10-425-23	HEX HEAD SET SCREW	2
24	AHP10-425-24	PLAIN WASHER	2
25	AHP10-425-25	SPRING WASHER	2
26	AHP10-425-26	LABEL	1
27	AHP10-425-27	LABEL DRIVE PIN	2
28	AHP10-425-28	BUTTON HEAD S/S SCREW	2
29	AHP10-425-29	S/S NUT	2
30	AHP10-425-30	S/S WASHER	2
31	AHP10-425-31	HEX HEAD S/S SCREW	2
32	AHP10-425-32	S/S NUT	4
33	AHP10-425-33	S/S PLAIN WASHER	8
34	AHP10-425-34	S/S SPRING WASHER	4
35	AHP10-425-35	HEX HEAD S/S SCREW	2
40	AHP425-40	PUMP - PAINTED RAL2002	1
41	AHP275-425-41	OUTLET BLOCK	1
42	AHP275-425-42	3/8 NPT x HM6 STANDPIPE ADAPTOR	1
43	AHP275-425-43	HOSE ADAPTOR 1/4" BSP X HM4	1
44	AHP187-425-44	GAUGE PIPE NIPPLE	1
45	AHP10-425-45	GLAND NUT	3
46	AHP10-425-46	COLLAR	3
47	AHP425-47	GAUGE	1
50	AHP36-425-50	REDUCING BUSH 3/4 - 1/2	1
51	AHP36-425-51	STRAIGHT CONNECTOR 1/2 x 1/2	1
52	AHP36-425-52	SWIVEL ELBOW 1/2	1
53	AHP36-425-53	NYLON TUBE	2

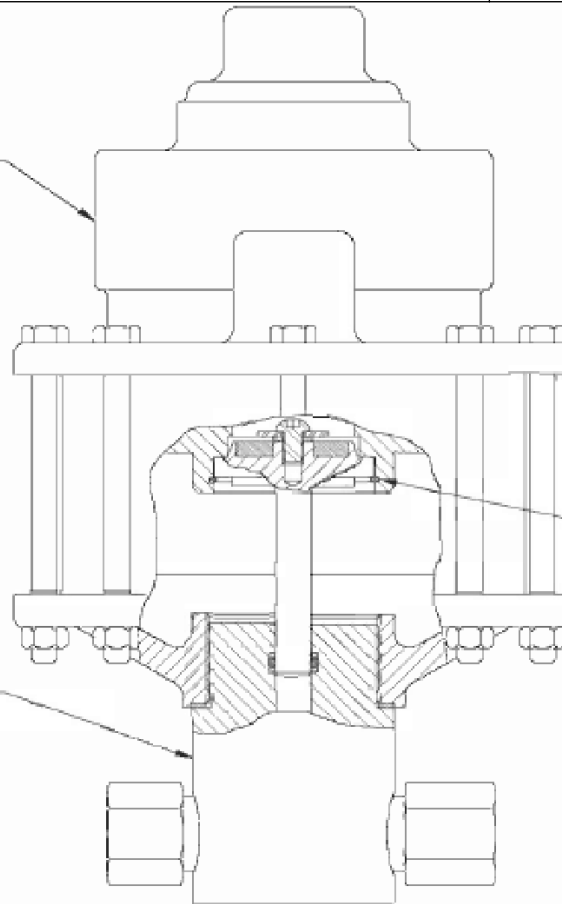
**IMPORTANT**

WHEN ORDERING SPARES YOU MUST STATE THE FULL PART NUMBER AND THE PRODUCT SERIAL NUMBER - FROM THE LABEL TO PROTECT YOUR WARRANTY ALWAYS USE GENUINE HI-FORCE PARTS.

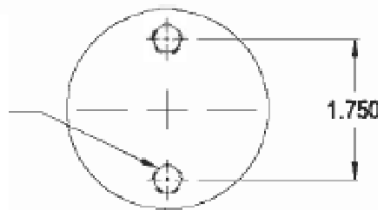
AIR MOTOR ASSEMBLY  
AHP10- 425AM

HYDRAULIC ASSEMBLY  
AHP187H (AHP187)  
AHP275H (AHP275)  
AHP425H (AHP425)

3/8- 24 X 3/4 DEEP

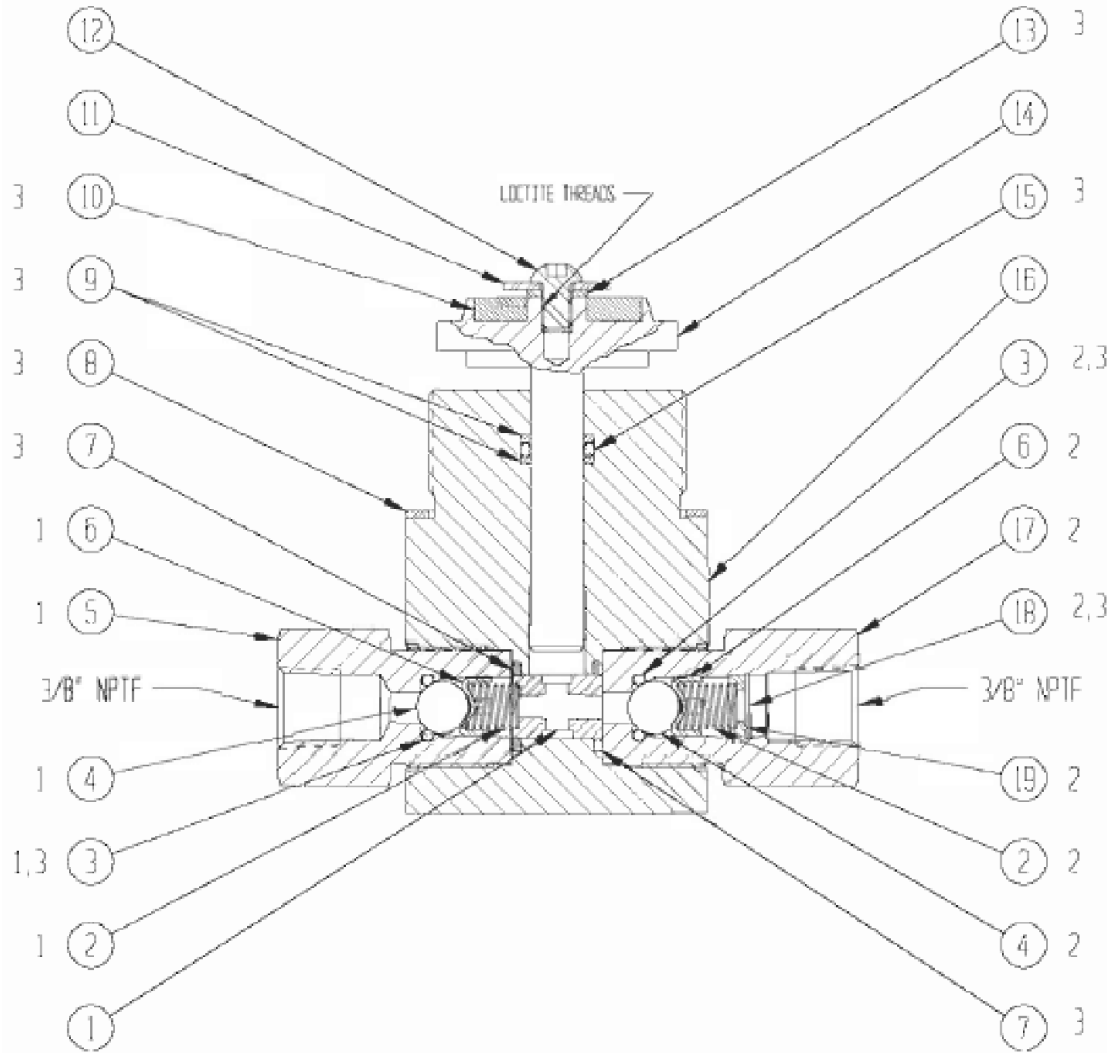


RETAINING RING  
AHP10- 425AM- 22 (REF)



**IMPORTANT**

WHEN ORDERING SPARES YOU MUST STATE THE FULL PART NUMBER AND THE  
PRODUCT SERIAL NUMBER - FROM THE LABEL  
TO PROTECT YOUR WARRANTY ALWAYS USE GENUINE HI-FORCE PARTS.



3. HYDRAULIC REPAIR KIT

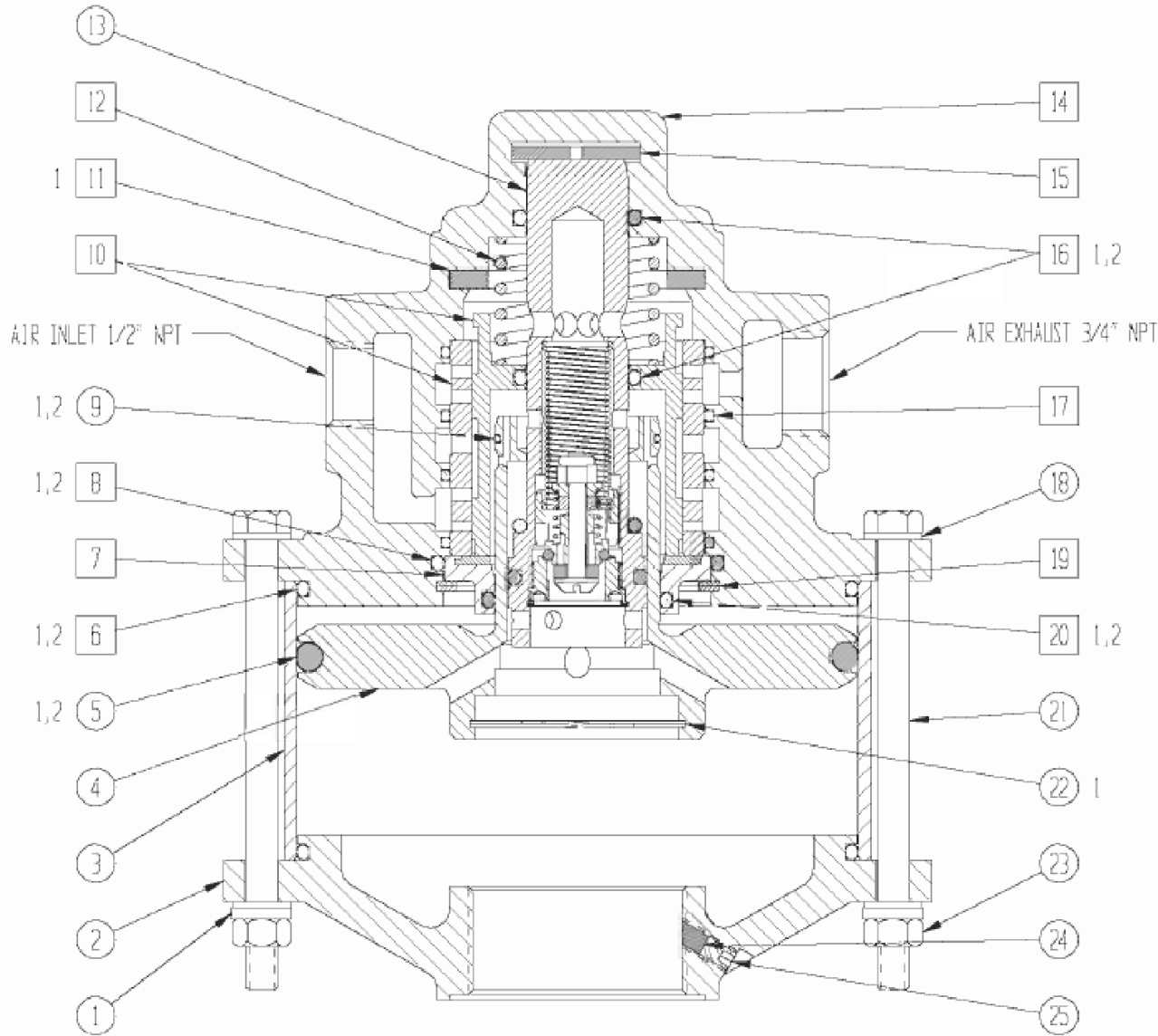
2. INCLUDED IN AHP187- 425H- 17A

1. INCLUDED AHP187- 425H- 5A

Item	HI-FORCE Part Number	Description	QTY
	<b>AHP187H</b>	<b>AHP187</b>	
	<b>AHP275H</b>	<b>AHP275</b>	
	<b>AHP425H</b>	<b>AHP425</b>	
	<b>AHP187-HK</b>	<b>HYDRAULIC REPAIR KIT AHP187</b>	
	<b>AHP275-HK</b>	<b>HYDRAULIC REPAIR KIT AHP275</b>	
	<b>AHP425-HK</b>	<b>HYDRAULIC REPAIR KIT AHP425</b>	
1	AHP187-425H-1	RETAINER	1
2	AHP187-425H-2	SPRING	2
3	AHP187-425H-3	O RING	2
4	AHP187-425H-4	CHECK BALL	2
5	AHP187-425H-5	SEAT-INLET	1
5A	<b>AHP187-425H-5A</b>	<b>INLET CHECK VALVE ASSY</b>	2
6	AHP187-425H-6	BALL GUIDE	2
7	AHP187-425H-7	O-RING	1
8	AHP10-425H-8	GASKET	2
9	AHP187H-9	BACK UP RING (AHP187)	2
9	AHP275H-9	BACK UP RING (AHP275)	2
9	AHP425H-9	BACK UP RING (AHP425)	1
10	AHP10-425H-10	PISTON BUMPER	1
11	AHP10-425H-11	FENDER WASHER	1
12	AHP10-425H-12	BUTTON HEAD CAP SCREW	1
13	AHP187-425H-13	HELICAL SPRING LOCK WASHER	1
14	AHP187H-14	HYDRAULIC PISTON (AHP187)	1
14	AHP275H-14	HYDRAULIC PISTON (AHP275)	1
14	AHP425H-14	HYDRAULIC PISTON (AHP425)	1
15	AHP187H-15	O-RING (AHP187)	1
15	AHP275H-15	O-RING (AHP275)	1
15	AHP425H-15	O-RING (AHP425)	1
16	AHP187H-16	HYDRAULIC CYLINDER (AHP187)	1
16	AHP275H-16	HYDRAULIC CYLINDER (AHP275)	1
16	AHP425H-16	HYDRAULIC CYLINDER (AHP425)	1
17	AHP187-425H-17	SEAT-OUTLET	1
17A	<b>AHP187-425H17A</b>	<b>OUTLET CHECK VALVE ASSY</b>	1
18	AHP187-425H-18	RETAINING RING	1
19	AHP187-425H-19	SPRING GUIDE	1

**IMPORTANT**

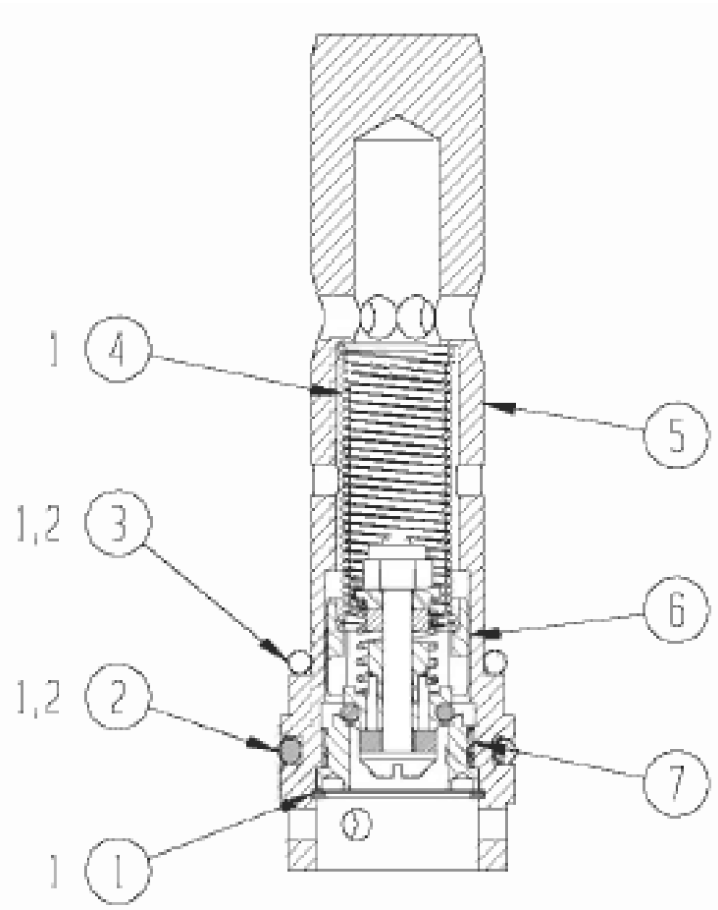
WHEN ORDERING SPARES YOU MUST STATE THE FULL PART NUMBER AND THE PRODUCT SERIAL NUMBER - FROM THE LABEL TO PROTECT YOUR WARRANTY ALWAYS USE GENUINE HI-FORCE PARTS.



Item	HI-FORCE Part Number	Description	Qty
1	AHP10-425AM-1	WASHER-LOCK	8
2	AHP10-425AM-2	END	1
3	AHP10-425AM-3	CYLINDER AIR	1
4	AHP10-425AM-4	PISTON AIR	1
5	AHP10-425AM-5	O-RING	1
6	AHP10-425AM-6	O-RING	2
7	AHP10-425AM-7	BEARING ASSEMBLY	1
8	AHP10-425AM-8	O-RING	1
9	AHP10-425AM-9	O-RING	1
10	AHP10-425AM-10	APA VALVE ASSY	1
11	AHP10-425AM-11	BUMPER	1
12	AHP10-425AM-12	SPRING	1
13	AHP10-425AM-13	PILOT VALVE ASSY	1
14	AHP10-425AM-14	HEAD	1
15	AHP10-425AM-15	BUMPER	1
16	AHP10-425AM-16	O-RING	2
17	AHP10-425AM-17	O-RING	4
18	AHP10-425AM-18	WASHER-FLAT	16
19	AHP10-425AM-19	RETAINING RING	1
20	AHP10-425AM-20	O-RING	1
21	AHP10-425AM-21	BOLT-HEX	8
22	AHP10-425AM-22	RETAINING RING	1
23	AHP10-425AM-23	NUT-HEX	8
24	AHP10-425AM-24	PLUG - BUNA	1
25	AHP10-425AM-25	SET SCREW-HEX SOCKET	1
	<b>AHP10-425AM-K</b>	<b>SEAL KIT</b>	
	<b>AHP10-425AM-RK</b>	<b>REPAIR KIT</b>	
	<b>AHP10-425AM</b>	<b>COMPLETE AIR MOTOR</b>	
	<b>AHP10-425AM-HD</b>	<b>AIR MOTOR COMPLETE HEAD</b>	

**IMPORTANT**

WHEN ORDERING SPARES YOU MUST STATE THE FULL PART NUMBER AND THE PRODUCT SERIAL NUMBER - FROM THE LABEL TO PROTECT YOUR WARRANTY ALWAYS USE GENUINE HI-FORCE PARTS.



Item	HI-FORCE Part Number	Description	Qty
1	AHP10-425PV-1	RETAINING RING	1
2	AHP10-425PV-2	O-RING	1
3	AHP10-425PV-3	O-RING	1
4	AHP10-425PV-4	SPRING	1
5	AHP10-425PV-5	valve body	1
6	AHP10-425PV-6	AIR CHECK ASSY	1
7	AHP10-425PV-7	SEAT	1