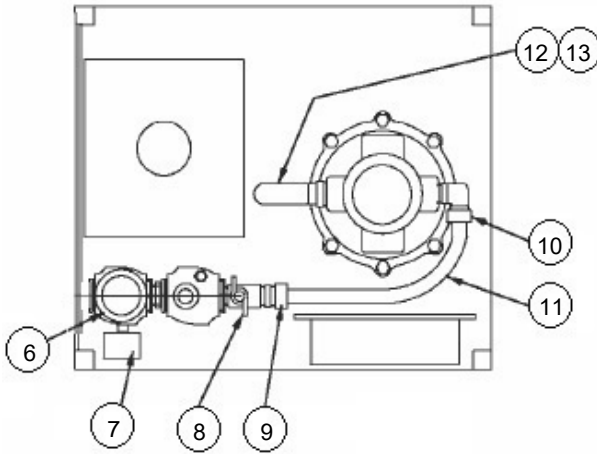


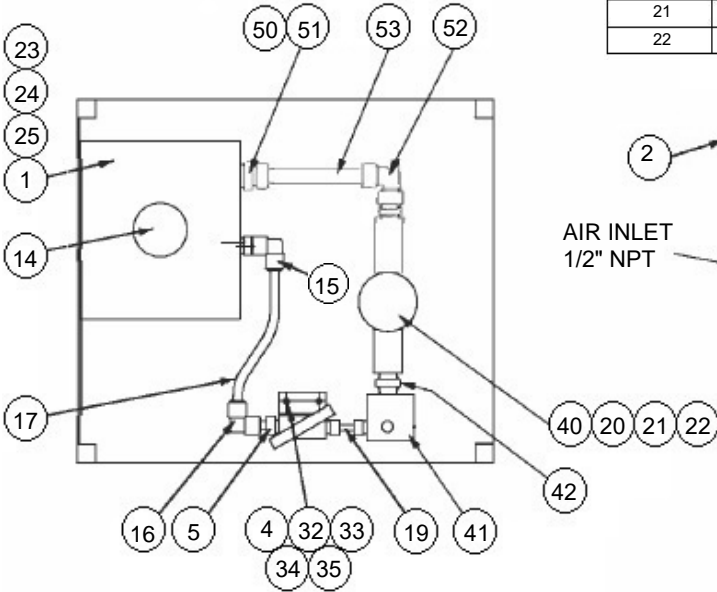
LAYOUT OF PNEUMATIC PIPEWORK



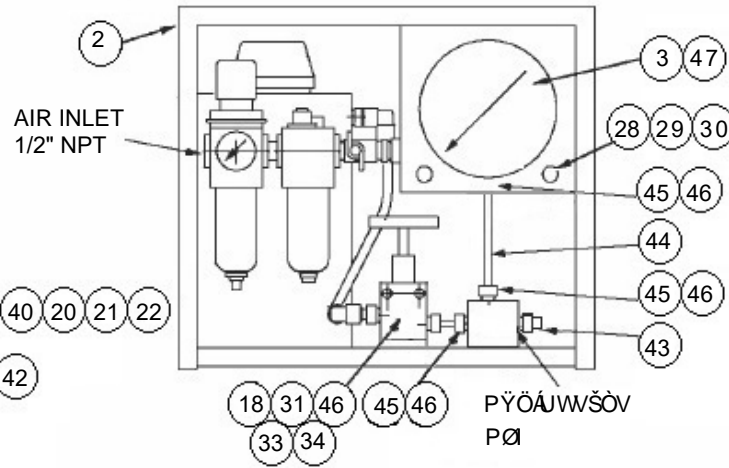
ITEM NO.	HI-FORCE PART NUMBER	DESCRIPTION	QTY.	ITEM NO.	HI-FORCE PART NO.	DESCRIPTION	QTY.
1	AHP10-425-1	7.5 LITRE TANK	1	23	AHP10-425-23	HEX HEAD SET SCREW	2
2	AHP10-425-2	FRAME	1	24	AHP10-425-24	PLAIN WASHER	2
3	AHP10-425-3	GAUGE GUARD	1	25	AHP10-425-25	SPRING WASHER	2
4	AHP10-425-4	VALVE BRACKET	1	26	AHP10-425-26	LABEL	1
5	AHP10-425-5	HM4 x 3/8 OD ADAPTOR	1	27	AHP10-425-27	LABEL DRIVE PIN	2
6	AHP10-425-6	FRL UNIT	1	28	AHP10-425-28	BUTTON HEAD S/S SCREW	2
7	AHP10-425-7	0-10 BAR AIR GAUGE 1/8 BSP	1	29	AHP10-425-29	S/S NUT	2
8	AHP10-425-8	AIR ON/OFF VALVE	1	30	AHP10-425-30	S/S WASHER	2
9	AHP10-425-9	1/2" OD MALE COUPLING	1	31	AHP10-425-31	HEX HEAD S/S SCREW	2
10	AHP10-425-10	1/2" OD MALE ELBOW	1	32	AHP10-425-32	S/S NUT	4
11	AHP10-425-11	COPPER TUBE	1	33	AHP10-425-33	S/S PLAIN WASHER	8
12	AHP10-425-12	SILENCER	1	34	AHP10-425-34	S/S SPRING WASHER	4
13	AHP10-425-13	REDUCING BUSH 3/4 - 1/2	1	35	AHP10-425-35	HEX HEAD S/S SCREW	2
14	AHP10-425-14	FILLER BREATHER	1	40	AHP425-40	PUMP - PAINTED RAL 2002	1
15	AHP10-425-15	3/8" OD x 3/8 BSPT MALE ELBOW	1	41	AHP275-425-41	OUTLET BLOCK	1
16	AHP10-425-16	3/8 OD EQUAL ELBOW	1	42	AHP275-425-42	3/8" NPT x HM6 STANDPIPE ADAPTOR	1
17	AHP10-425-17	3/8" OD NYLON TUBE	1	43	AHP275-425-43	HOSE ADAPTOR 1/4" BSP X HM4	1
18	AHP425-18	PRESSURE RELEASE VALVE	1	44	AHP187-425-44	GAUGE PIPE NIPPLE	1
19	AHP10-425-19	1/4 OD NIPPLE x 2.75 LONG	1	45	AHP10-425-45	GLAND NUT	3
20	AHP10-425-20	HEX HEAD SET SCREW	2	46	AHP10-425-46	COLLAR	3
21	AHP10-425-21	PLAIN WASHER	2	47	AHP425-47	GAUGE	1
22	AHP10-425-22	SPRING WASHER	2	50	AHP36-425-50	REDUCING BUSH 3/4 - 1/2"	1
				51	AHP36-425-51	STRAIGHT CONNECTOR 1/2 x 12"	1
				52	AHP187-425-52	SWIVEL ELBOW 3/8"	1
				53	AHP36-425-53	NYLON TUBE	2

REVISION

1	
2	
3	
4	6323
5	
6	
7	
8	
9	
10	
11	
12	
13	
14	
15	
16	
17	
18	
19	
20	



LAYOUT OF HYDRAULIC PIPEWORK

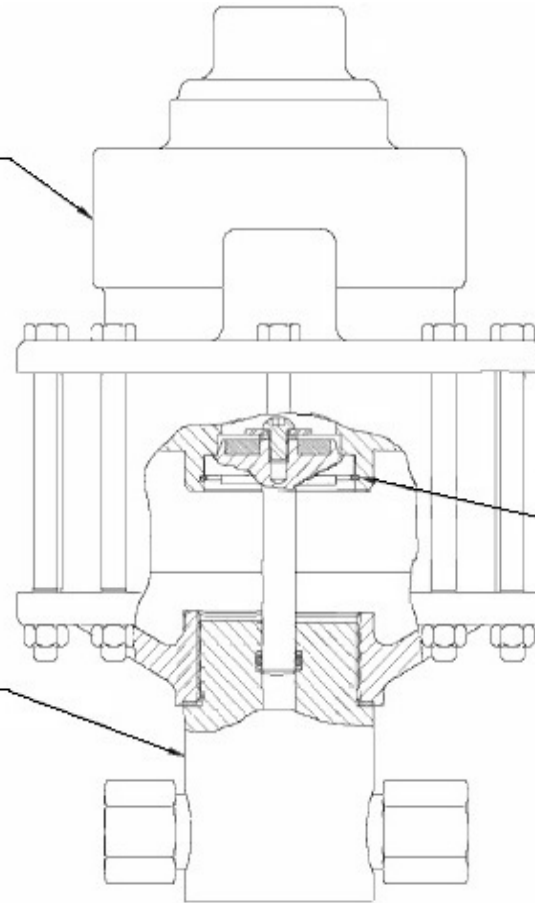


IMPORTANT
WHEN ORDERING SPARES YOU MUST STATE THE FULL PART NUMBER AND THE PRODUCT SERIAL NUMBER - FROM THE LABEL TO PROTECT YOUR WARRANTY ALWAYS USE GENUINE HI-FORCE PARTS.

REVISION

1	
2	
3	
4	6323
5	
6	
7	
8	
9	
10	
11	
12	
13	
14	
15	
16	
17	
18	
19	
20	

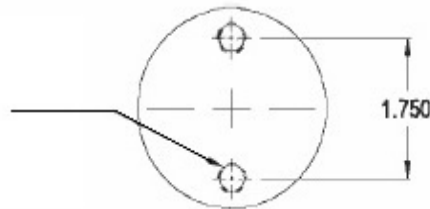
AIR MOTOR ASSEMBLY
AHP10-425AM



RETAINING RING
AHP10 - 425AM - 22 (REF)

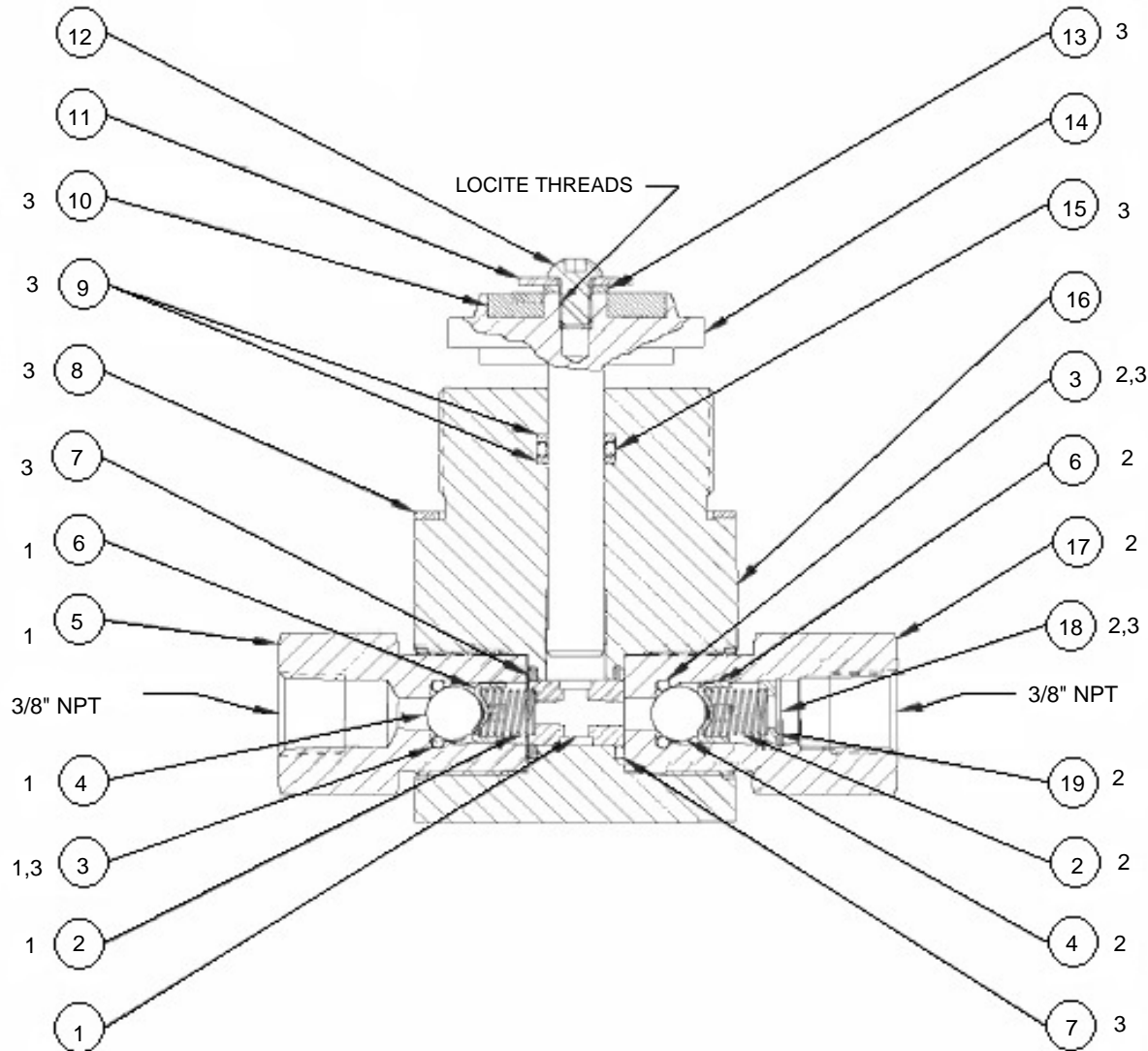
HYDRAULIC ASSEMBLY
AHP187H (AHP187)
AHP275H (AHP275)
AHP425H (AHP425)

3/8 - 24 x 3/4 DEEP



IMPORTANT

WHEN ORDERING SPARES YOU MUST STATE THE FULL PART NUMBER AND THE
PRODUCT SERIAL NUMBER - FROM THE LABEL
TO PROTECT YOUR WARRANTY ALWAYS USE GENUINE HI-FORCE PARTS.



ITEM NO.	HI-FORCE PART NUMBER	DESCRIPTION	QTY.
	AHP187H	AHP187	
	AHP275H	AHP275	
	AHP425H	AHP425	
	AHP187-HK	HYDRAULIC REPAIR KIT AHP187	
	AHP275-HK	HYDRAULIC REPAIR KIT AHP275	
	AHP425-HK	HYDRAULIC REPAIR KIT AHP425	
1	AHP187-425H-1	RETAINER	1
2	AHP187-425H-2	SPRING	2
3	AHP187-425H-3	O - RING	2
4	AHP187-425H-4	CHECK BALL	2
5	AHP187-425H-5	SEAT - INLET	1
5A	AHP187-425H-5A	INLET CHECK VALVE ASSY	2
6	AHP187-425H-6	BALL GUIDE	2
7	AHP187-425H-7	O - RING	1
8	AHP10-425H-8	GASKET	2
9	AHP187H-9	BACK UP RING (AHP187)	2
9	AHP275H-9	BACK UP RING (AHP275)	2
9	AHP425H-9	BACK UP RING (AHP425)	1
10	AHP10-425H-10	PISTON BUMPER	1
11	AHP10-425H-11	FENDER WASHER	1
12	AHP10-425H-12	BUTTON HEAD CAP SCREW	1
13	AHP187-425H-13	HELICAL SPRING LOCK WASHER	1
14	AHP187H-14	HYDRAULIC PISTON (AHP187)	1
14	AHP275H-14	HYDRAULIC PISTON (AHP275)	1
14	AHP425H-14	HYDRAULIC PISTON (AHP425)	1
15	AHP187H-15	O - RING (AHP187)	1
15	AHP275H-15	O - RING (AHP275)	1
15	AHP425H-15	O - RING (AHP425)	1
16	AHP187H-16	HYDRAULIC CYLINDER (AHP187)	1
16	AHP275H-16	HYDRAULIC CYLINDER (AHP275)	1
16	AHP425H-16	HYDRAULIC CYLINDER (AHP425)	1
17	AHP425H-17	SEAT - OUTLET	1
17A	AHP187-425H17A	OUTLET CHECK VALVE ASSEY	1
18	AHP187-425H-18	RETAINING RING	1
19	AHP187-425H-19	SPRING GUIDE	1

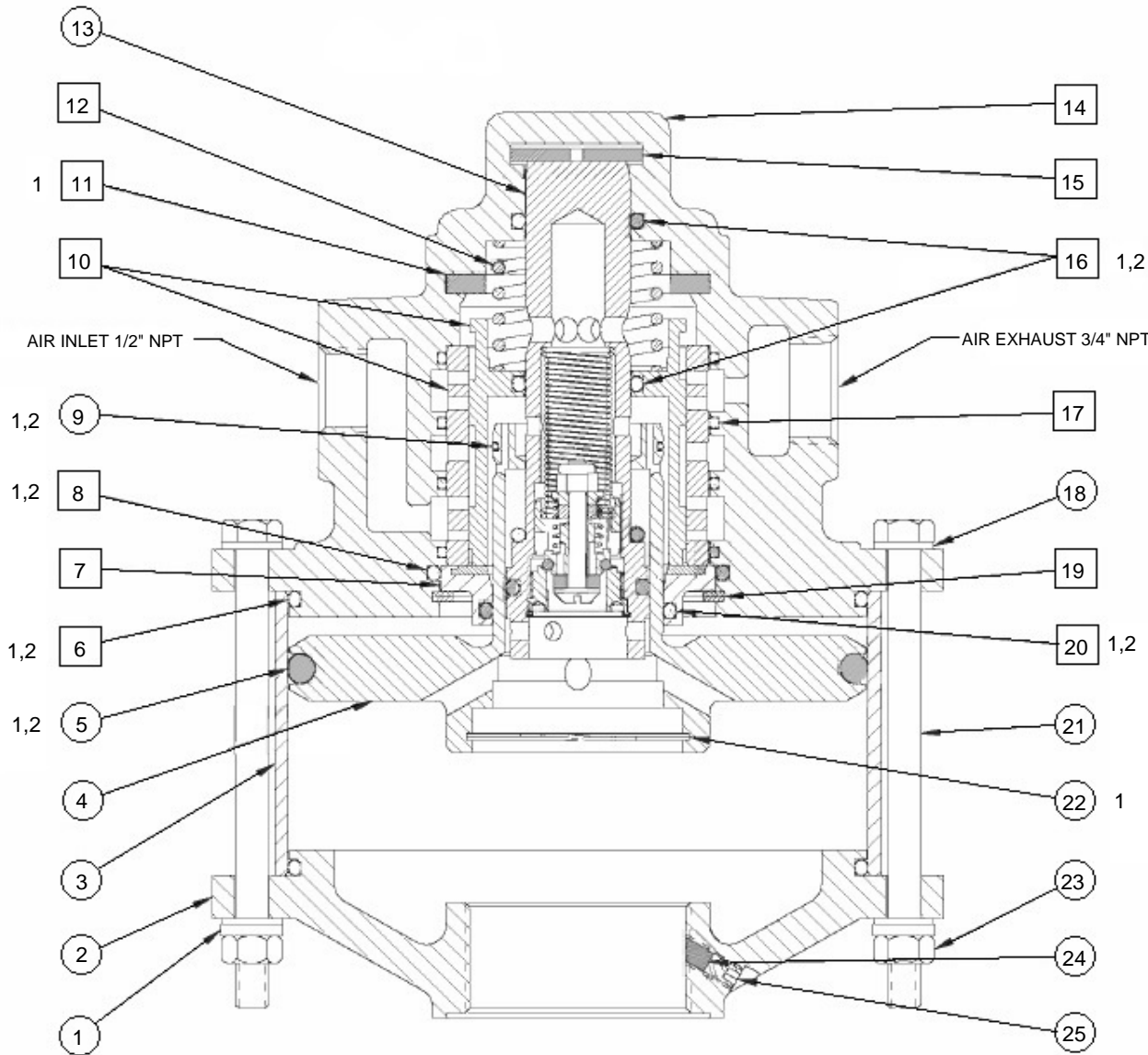
REVISION

1	
2	
3	
4	6323
5	
6	
7	
8	
9	
10	
11	
12	
13	
14	
15	
16	
17	
18	
19	
20	

- 3. HYDRAULIC REPAIR KIT
- 2. INCLUDED IN AHP187-425H-17A
- 1. INCLUDED IN AHP187-425H-5A

IMPORTANT

WHEN ORDERING SPARES YOU MUST STATE THE FULL PART NUMBER AND THE PRODUCT SERIAL NUMBER - FROM THE LABEL TO PROTECT YOUR WARRANTY ALWAYS USE GENUINE HI-FORCE PARTS.



ITEM NO.	HI-FORCE PART NUMBER	DESCRIPTION	QTY.
1	AHP10-425AM-1	WASHER - LOCK	8
2	AHP10-425AM-2	END	1
3	AHP10-425AM-3	CYLINDER AIR	1
4	AHP10-425AM-4	PISTON AIR	1
5	AHP10-425AM-5	O-RING	1
6	AHP10-425AM-6	O-RING	2
7	AHP10-425AM-7	BEARING ASSEMBLY	1
8	AHP10-425AM-8	O-RING	1
9	AHP10-425AM-9	O-RING	1
10	AHP10-425AM-10	APA VALVE ASSY	1
11	AHP10-425AM-11	BUMPER	1
12	AHP10-425AM-12	SPRING	1
13	AHP10-425AM-13	PILOT VALVE ASSY	1
14	AHP10-425AM-14	HEAD	1
15	AHP10-425AM-15	BUMPER	1
16	AHP10-425AM-16	O-RING	2
17	AHP10-425AM-17	O-RING	4
18	AHP10-425AM-18	WASHER - FLAT	16
19	AHP10-425AM-19	RETAINING RING	1
20	AHP10-425AM-20	O-RING	1
21	AHP10-425AM-21	BOLT - HEX	8
22	AHP10-425AM-22	RETAINING RING	1
23	AHP10-425AM-23	NUT - HEX	8
24	AHP10-425AM-24	PLUG - BUNA	1
25	AHP10-425AM-25	SET SCREW-HEX SOCKET	1
	AHP10-425AM-K	SEAL KIT	
	AHP10-425AM-RK	REPAIR KIT	
	AHP10-425AM	COMPLETE AIR MOTOR	
	AHP10-425AM-HD	AIR MOTOR COMPLETE HEAD	

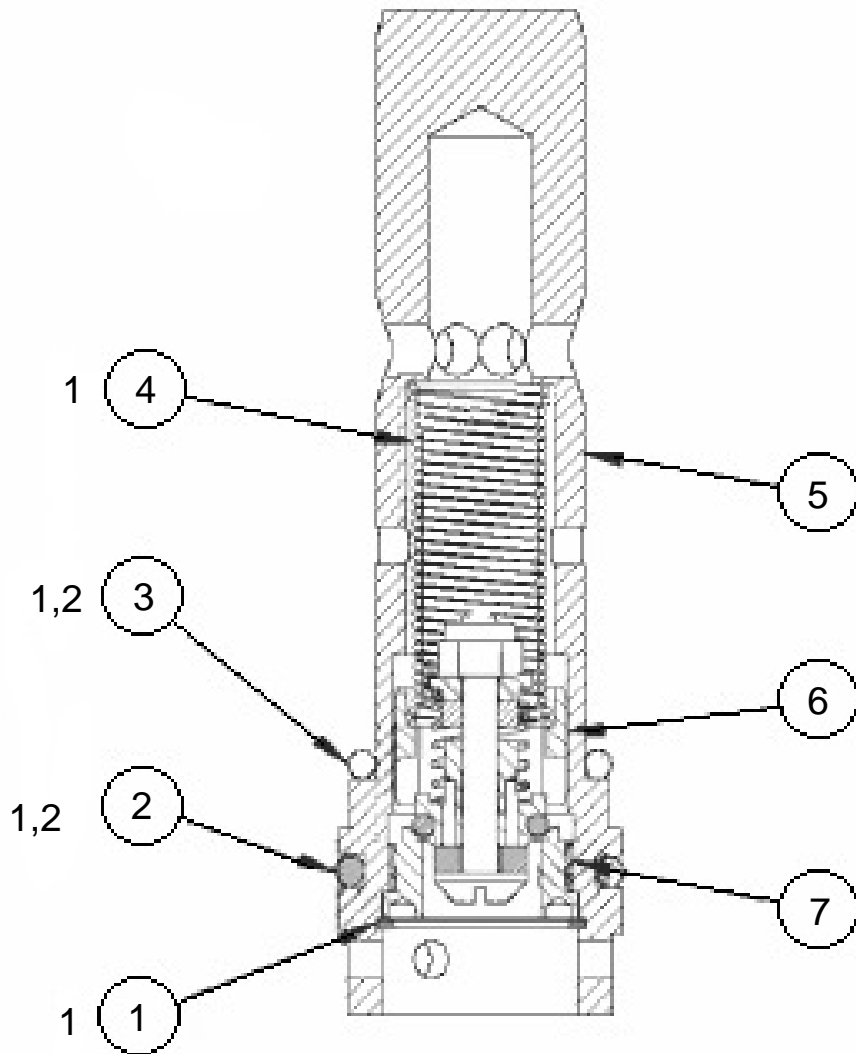
1	
2	
3	
4	6323
5	
6	
7	
8	
9	
10	
11	
12	
13	
14	
15	
16	
17	
18	
19	
20	

IMPORTANT

WHEN ORDERING SPARES YOU MUST STATE THE FULL PART NUMBER AND THE PRODUCT SERIAL NUMBER - FROM THE LABEL TO PROTECT YOUR WARRANTY ALWAYS USE GENUINE HI-FORCE PARTS.

REVISION

1	
2	
3	
4	6323
5	
6	
7	
8	
9	
10	
11	
12	
13	
14	
15	
16	
17	
18	
19	
20	



ITEM NO.	HI-FORCE PART NUMBER	DESCRIPTION	QTY.
1	AHP10-425PV-1	RETAINING	1
2	AHP10-425PV-2	RING O - RING	1
3	AHP10-425PV-3	O - RING	1
4	AHP10-425PV-4	SPRING	1
5	AHP10-425PV-5	VALVE BODY	1
6	AHP10-425PV-6	AIR CHECK	1
7	AHP10-425PV-7	ASSY SEAT	1

IMPORTANT

WHEN ORDERING SPARES YOU MUST STATE THE FULL PART NUMBER AND THE PRODUCT SERIAL NUMBER - FROM THE LABEL TO PROTECT YOUR WARRANTY ALWAYS USE GENUINE HI-FORCE PARTS.