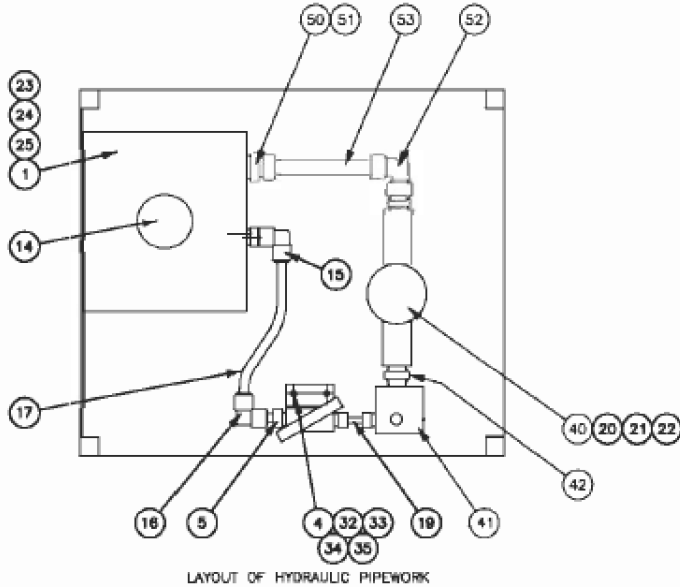
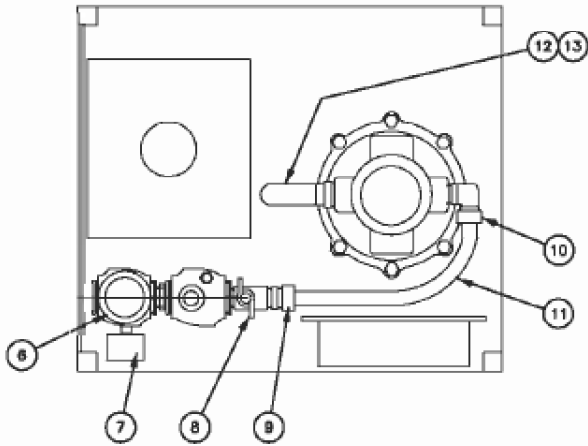
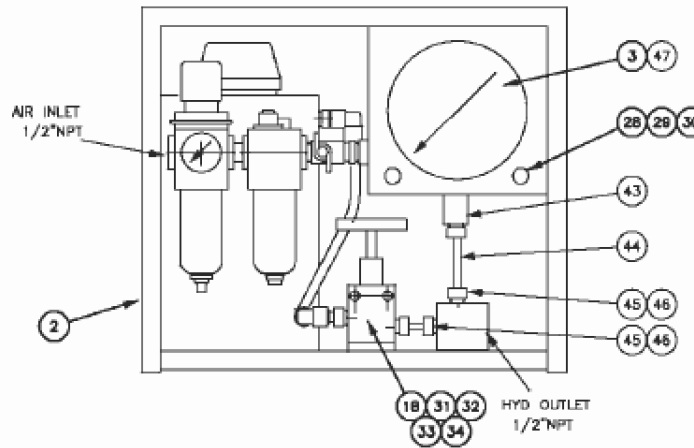


LAYOUT OF PNEUMATIC PIPEWORK



LAYOUT OF HYDRAULIC PIPEWORK



Item	HI-FORCE Part Number	Description	Qty
1	AHP10-425-1	7.5 LITRE TANK	1
2	AHP10-425-2	FRAME	1
3	AHP10-425-3	GAUGE GUARD	1
4	AHP10-425-4	VALVE BRACKET	1
5	AHP10-425-5	HM4 x 3/8 OD ADAPTOR	1
6	AHP10-425-6	FRL UNIT	1
7	AHP10-425-7	0-10 BAR AIR GAUGE 1/8 BSP	1
8	AHP10-425-8	AIR ON/OFF VALVE	1
9	AHP10-425-9	1/2" OD MALE COUPLING	1
10	AHP10-425-10	1/2" OD MALE ELBOW	1
11	AHP10-425-11	COPPER TUBE	1
12	AHP10-425-12	SILENCER	1
13	AHP10-425-13	REDUCING BUSH 3/4 - 1/2	1
14	AHP10-425-14	FILLER BREATHER	1
15	AHP10-425-15	3/8" OD x 3/8 BSPT MALE ELBOW	1
16	AHP10-425-16	3/8 OD EQUAL ELBOW	1
17	AHP10-425-17	3/8" OD NYLON TUBE	1
18	AHP10-275-18	PRESSURE RELEASE VALVE	1
19	AHP10-425-19	1/4 OD NIPPLE X 2.75 LONG	1
20	AHP10-425-20	HEX HEAD SET SCREW	2
21	AHP10-425-21	PLAIN WASHER	2
22	AHP10-425-22	SPRING W ASHER	2
23	AHP10-425-23	HEX HEAD SET SCREW	2
24	AHP10-425-24	PLAIN WASHER	2
25	AHP10-425-25	SPRING W ASHER	2
26	AHP10-425-26	LABEL	1
27	AHP10-425-27	LABEL DRIVE PIN	2
28	AHP10-425-28	BUTTON HEAD S/S SCREW	2
29	AHP10-425-29	S/S NUT	2
30	AHP10-425-30	S/S WASHER	2
31	AHP10-425-31	HEX HEAD S/S SCREW	2
32	AHP10-425-32	S/S NUT	4
33	AHP10-425-33	S/S PLAIN WASHER	8
34	AHP10-425-34	S/S SPRING WASHER	4
35	AHP10-425-35	HEX HEAD S/S SCREW	2
40	AHP58-40	PUMP - PAINTED RAL2002	1
41	AHP10-58-41	OUTLET BLOCK	1
42	AHP10-58-42	1/2"NPT S/S HEX NIPPLE	1
43	AHP10-107-43	GAUGE AD APTOR HF4 X 1/2"NPT	1
44	AHP10-107-44	GAUGE PIPE NIPPLE 3"	1
45	AHP10-425-45	GLAND NUT	2
46	AHP10-425-46	COLLAR	2
47	AHP58-47	GAUGE	1
50	AHP36-425-50	REDUCING BUSH 3/4 - 1/2	1
51	AHP36-425-51	STRAIGHT CONNECTOR 1/2 x 1/2	1
52	AHP36-425-52	SWIVEL ELBOW 1/2	1
53	AHP36-425-53	NYLON TUBE	2

IMPORTANT

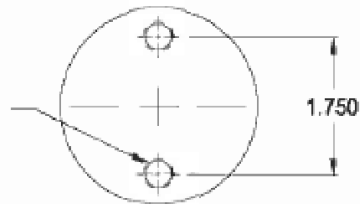
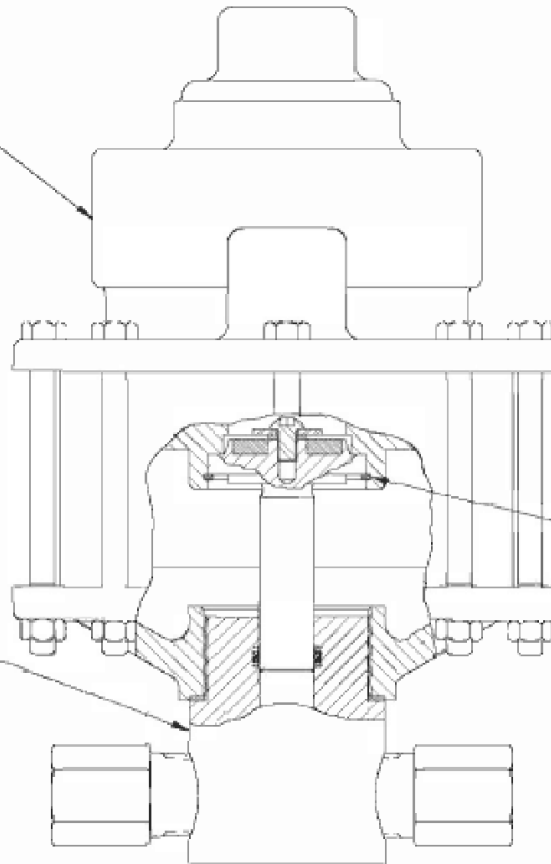
WHEN ORDERING SPARES YOU MUST STATE THE FULL PART NUMBER AND THE PRODUCT SERIAL NUMBER - FROM THE LABEL TO PROTECT YOUR WARRANTY ALWAYS USE GENUINE HI-FORCE PARTS.

AIR MOTOR ASSEMBLY
AHP10-425AM

HYDRAULIC ASSEMBLY
AHP26H (AHP 26)
AHP36H (AHP 36)
AHP58H (AHP 58)
AHP107H (AHP 107)

RETAINING RING
AHP10- 425AM- 22 (REF)

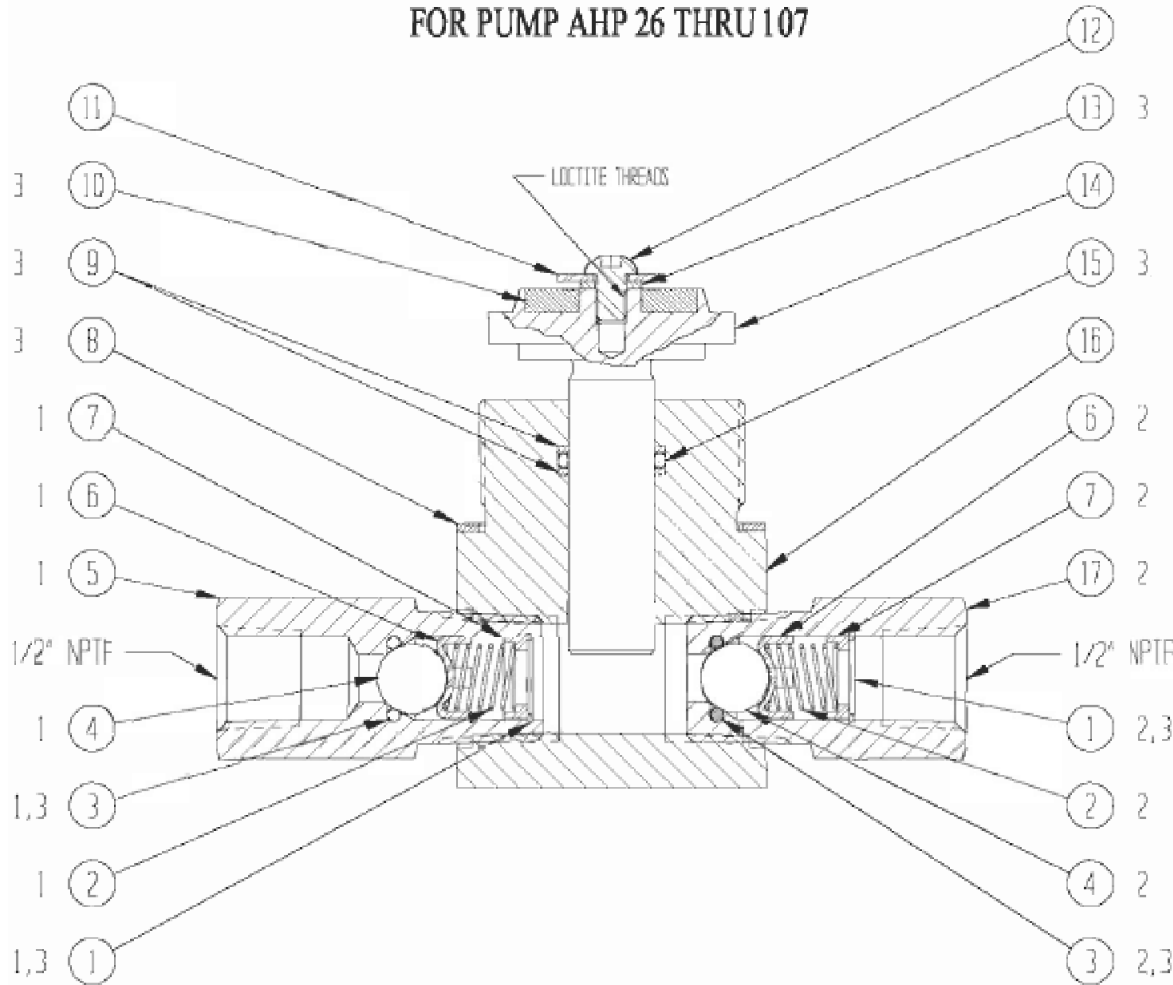
3/8 - 24 X 3/4 DEEP



IMPORTANT

WHEN ORDERING SPARES YOU MUST STATE THE FULL PART NUMBER AND THE
PRODUCT SERIAL NUMBER - FROM THE LABEL
TO PROTECT YOUR WARRANTY ALWAYS USE GENUINE HI-FORCE PARTS.

FOR PUMP AHP 26 THRU 107



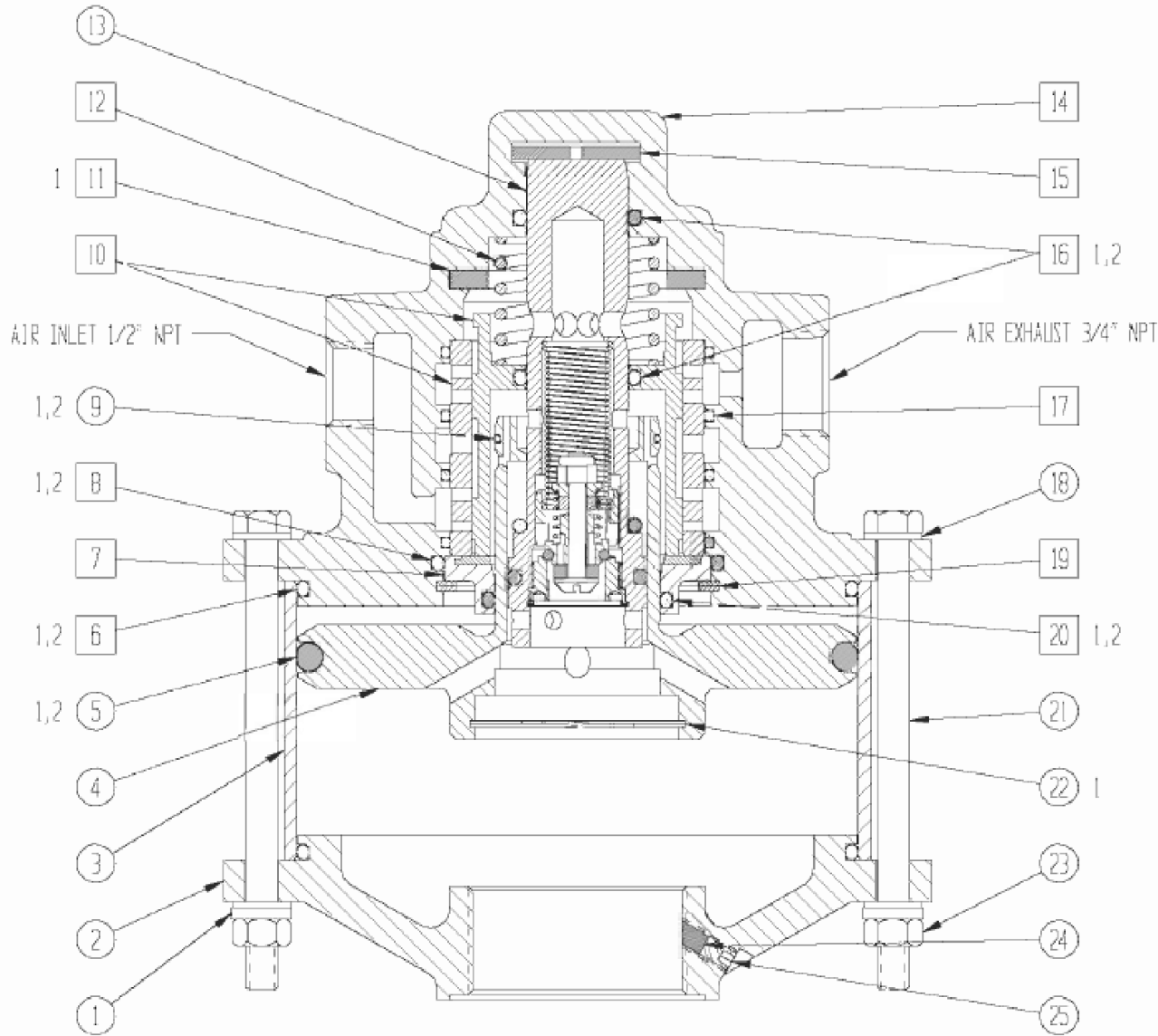
* REPRESENTS PUMP ASSEMBLY RATIO NUMBER

- 3. INCLUDED IN HYDRAULIC REPAIR KIT
- 2. INCLUDED IN AHP26- 107H- 17A
- 1. INCLUDED IN AHP26-107H- 5A

Item	HI-FORCE Part Number	Description	QTY
	AHP26H	HYDRAULIC ASSEMBLY - COMPLETE AHP26	
	AHP36H	HYDRAULIC ASSEMBLY - COMPLETE AHP36	
	AHP58H	HYDRAULIC ASSEMBLY - COMPLETE AHP58	
	AHP107H	HYDRAULIC ASSEMBLY - COMPLETE AHP107	
	AHP26HK	HYDRAULIC REPAIR KIT AHP26	
	AHP36-HK	HYDRAULIC REPAIR KIT AHP36	
	AHP58-HK	HYDRAULIC REPAIR KIT AHP58	
	AHP107-HK	HYDRAULIC REPAIR KIT AHP107	
1	AHP26-107H-1	RETAINING RING	2
2	AHP26-107H-2	SPRING	2
3	AHP26-107H-3	O-RING	2
4	AHP26-107H-4	CHECK BALL	2
5	AHP26-107H-5	SEAT-INLET	1
5A	AHP26-107H-5A	INLET CHECK VALVE ASSY	2
6	AHP26-107H-6	BALL GUIDE	2
7	AHP26-107H-7	SPRING GUIDE	1
8	AHP10-425H-8	GASKET	2
9	AHP26H-9	BACK UP RING (AHP26)	2
9	AHP36H-9	BACK UP RING (AHP36)	2
9	AHP58H-9	BACK UP RING (AHP58)	2
9	AHP107H-9	BACK UP RING (AHP107)	2
10	AHP10-425H-10	PISTON BUMPER	1
11	AHP10-425H-11	FENDER WASHER	1
12	AHP10-425H-12	BUTTON HEAD CAP SCREW	1
13	AHP26-107H-13	HELICAL SPRING LOCK WASHER	1
14	AHP26H-14	HYDRAULIC PISTON (AHP26)	1
14	AHP36H-14	HYDRAULIC PISTON (AHP36)	1
14	AHP58H-14	HYDRAULIC PISTON (AHP58)	1
14	AHP107H-14	HYDRAULIC PISTON (AHP107)	1
15	AHP26H-15	O-RING (AHP26)	1
15	AHP36H-15	O-RING (AHP36)	1
15	AHP58H-15	O-RING (AHP58)	1
15	AHP107H-15	O-RING (AHP107)	1
16	AHP26H-16	HYDRAULIC CYLINDER (AHP26)	1
16	AHP36H-16	HYDRAULIC CYLINDER (AHP36)	1
16	AHP58H-16	HYDRAULIC CYLINDER (AHP58)	1
16	AHP107H-16	HYDRAULIC CYLINDER (AHP107)	1
17	AHP26-107H-17	SEAT-OUTLET	1
17A	AHP26-107H-17A	OUTLET CHECK VALVE ASSY	1

IMPORTANT

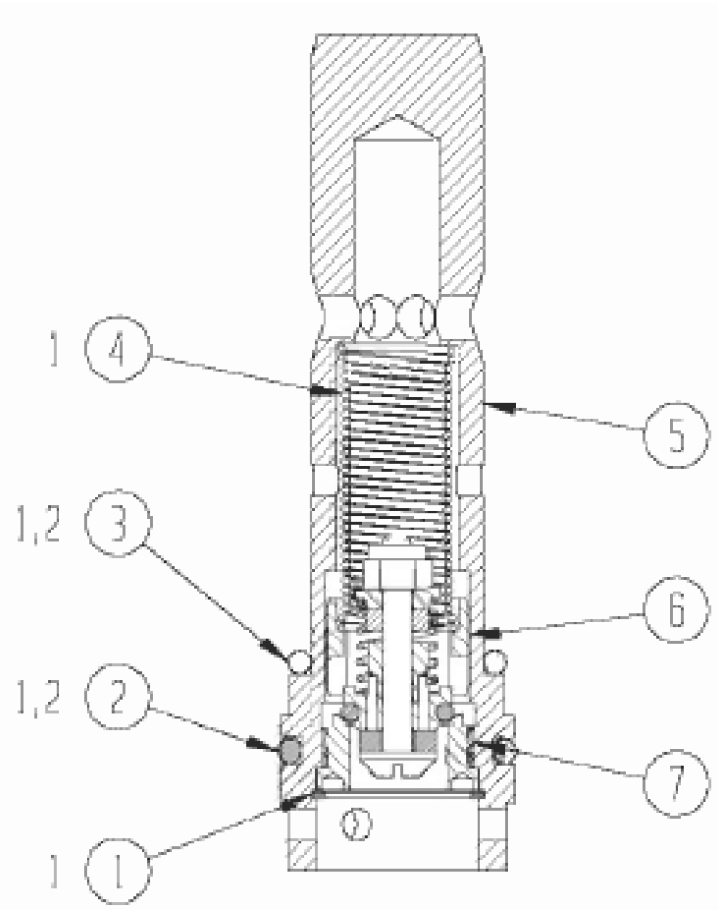
WHEN ORDERING SPARES YOU MUST STATE THE FULL PART NUMBER AND THE PRODUCT SERIAL NUMBER - FROM THE LABEL TO PROTECT YOUR WARRANTY ALWAYS USE GENUINE HI-FORCE PARTS.



Item	HI-FORCE Part Number	Description	Qty
1	AHP10-425AM-1	WASHER-LOCK	8
2	AHP10-425AM-2	END	1
3	AHP10-425AM-3	CYLINDER AIR	1
4	AHP10-425AM-4	PISTON AIR	1
5	AHP10-425AM-5	O-RING	1
6	AHP10-425AM-6	O-RING	2
7	AHP10-425AM-7	BEARING ASSEMBLY	1
8	AHP10-425AM-8	O-RING	1
9	AHP10-425AM-9	O-RING	1
10	AHP10-425AM-10	APA VALVE ASSY	1
11	AHP10-425AM-11	BUMPER	1
12	AHP10-425AM-12	SPRING	1
13	AHP10-425AM-13	PILOT VALVE ASSY	1
14	AHP10-425AM-14	HEAD	1
15	AHP10-425AM-15	BUMPER	1
16	AHP10-425AM-16	O-RING	2
17	AHP10-425AM-17	O-RING	4
18	AHP10-425AM-18	WASHER-FLAT	16
19	AHP10-425AM-19	RETAINING RING	1
20	AHP10-425AM-20	O-RING	1
21	AHP10-425AM-21	BOLT-HEX	8
22	AHP10-425AM-22	RETAINING RING	1
23	AHP10-425AM-23	NUT-HEX	8
24	AHP10-425AM-24	PLUG - BUNA	1
25	AHP10-425AM-25	SET SCREW-HEX SOCKET	1
	AHP10-425AM-K	SEAL KIT	
	AHP10-425AM-RK	REPAIR KIT	
	AHP10-425AM	COMPLETE AIR MOTOR	
	AHP10-425AM-HD	AIR MOTOR COMPLETE HEAD	

IMPORTANT

WHEN ORDERING SPARES YOU MUST STATE THE FULL PART NUMBER AND THE PRODUCT SERIAL NUMBER - FROM THE LABEL TO PROTECT YOUR WARRANTY ALWAYS USE GENUINE HI-FORCE PARTS.



Item	HI-FORCE Part Number	Description	Qty
1	AHP10-425PV-1	RETAINING RING	1
2	AHP10-425PV-2	O-RING	1
3	AHP10-425PV-3	O-RING	1
4	AHP10-425PV-4	SPRING	1
5	AHP10-425PV-5	valve body	1
6	AHP10-425PV-6	AIR CHECK ASSY	1
7	AHP10-425PV-7	SEAT	1