

1010

**BATTERY OPERATED HYDRAULIC CRIMPING TOOLS**  
**MODEL NUMBERS BC18X, BC30, BC40, BC63**  
**OPERATING INSTRUCTIONS**

**INTRODUCTION**

The BC self-contained battery operated hydraulic cable crimping tools are fitted with an automatic pressure relief valve and are supplied complete with standard die sets and carrying case. With 180° rotating head they are designed for easy access into confined spaces.

**SAFETY NOTES**

Always wear suitable personal protection when operating hydraulic equipment.

**DANGER:** Keep all body parts away from Crimper and work piece during operation.

**IMPORTANT:** Ensure that the correct size tool and die is selected for the job.

**IMPORTANT:** Minimum age of operator must be 18 years. The operator must have read and understood all instructions, safety issues, cautions and warnings before starting to operate this equipment.

**WARNING:** Risk of finger trapping. Only hold the tool by means of the handle.

**WARNING:** Do not overload equipment. Overloading causes equipment failure and possible personal injury.

**CAUTION:** Make sure that all system components are protected from external sources of damage, such as excessive heat, flame, moving machine parts, sharp edges and corrosive chemicals.

**WARNING:** Immediately replace worn or damaged parts with genuine Hi-Force parts.

**WARNING:** Always wear safety glasses and other appropriate personal protection equipment. The operator must take precautions against injury due to failure of the tool or work piece.

**DANGER:** Do not attempt to crimp on a live cable. The tool is not insulated.

**SELECTION AND INSERTION OF DIE SETS**

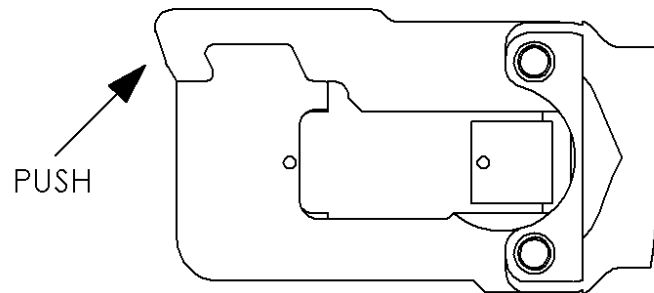
All Hi- Force hydraulic crimpers are supplied complete with Die sets to suit the applicable range of the Crimper. All Die sets are marked with their applicable size capacity to avoid accidental mixing of different sizes. Standard die sets are suitable for use with copper cable connectors ONLY. When aluminium cable connectors are used

The fitting of dies is a simple process that requires no tools, but the method varies depending on the crimper in use.

**BC18X**

Open the Jaws by pushing the end of the jaw in the direction of the arrow in the diagram below. Select the appropriate die pair, checking that the two halves match in size. Take care as some of the smaller dies contain two sizes of crimp. Slide the dies into the recesses in the jaw until they latch into place by means of the ball mounted in the side of the die. Close the jaw by squeezing the two halves together until they latch into each other.

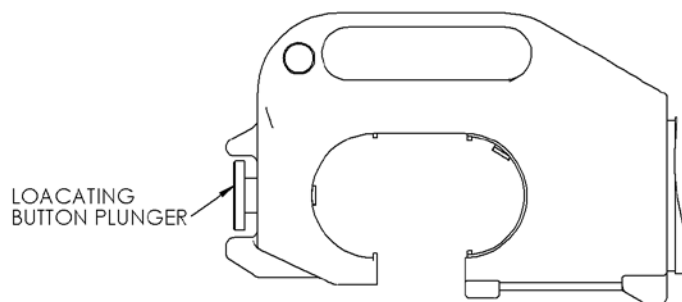
1010



BC18X DIE FITTING

BC30 and BC40

To insert the Dies pull the locating button plunger on the end of the head assembly to retract the locating plunger. Slide one half of the die into position. Release locating plunger to 'Lock' in to the groove in the rear of the die. Slide the other half of the die into the opposing jaw. If required advance piston to expose Die release plunger to assist with location. (see instructions below) Check the Die is correctly located by trying to slide the Die out. It should not move! Check that a matching pair of die halves has been used.

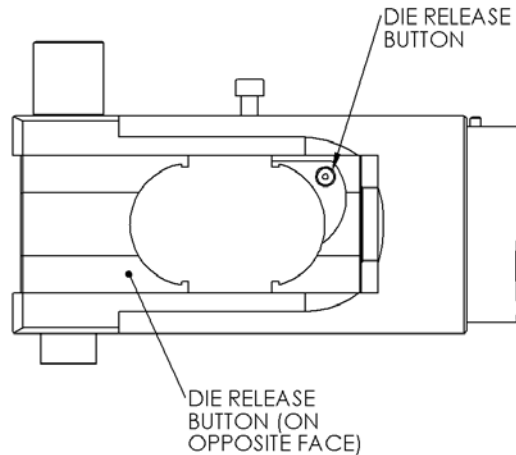


BC30 AND BC40 DIE FITTING

1010

**BC63**

Press the die release buttons situated on opposite sides of the tool and slide each die half into place ensuring that a matching pair is used.



**FITTING A BATTERY PACK**

To fit the battery, Remove the protective cover from the terminals (retain for future use) push firmly into the housing on the base of the tool handle until it clicks into place. To remove battery depress battery latch button and pull battery away from the handle as shown in the diagrams. Charge the battery before use by means of charger CU110, CU220 or CU1114. Spare battery packs are available from HI-Force. Order part number BP144.

**OPERATION.**

Pressing the trigger will advance the piston and close the dies. Pressing the release button will retract the piston and open the dies.

Correctly position the crimper over the connector to be crimped. Press and hold the trigger and the dies will close and crimp the connector to the cable.

When the connector is fully crimped to the cable the dies will be fully closed and no further movement takes place. The pressure relief valve on the tool will then operate and the motor will be heard to speed up. Release the trigger. Press the release button and the dies will retract ready for next use. Note, keep the release button depressed until the dies have fully retracted.

The LED battery indicator gives the status of the battery and shows when it is necessary to recharge the battery.

Red yellow and green light – battery condition good.

Red and yellow lights – battery running low

Red – Battery exhausted – Recharge required. Or replace with spare battery

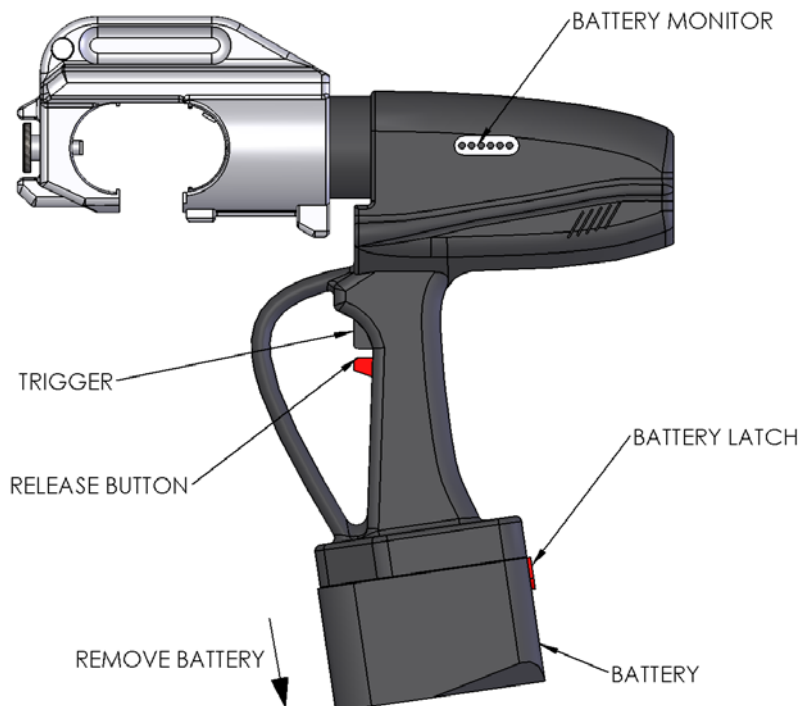
1010

**BATTERY CHARGING**

Batteries should be charged using HI-Force charger supplied (or a HI-Force charging accessory supplied separately)

Connect charger to the mains. Select the correct voltage (14.4 volt) by pressing the “select voltage” button until the appropriate LED lights up. Insert battery and charge for 2-3 hours.

To prolong battery life, discharge fully, using the “discharge” button. Do not carry out this operation on a fully charged battery.



FEATURES OF BATTERY CRIMPER (BC30/BC40 SHOWN)

**MAINTENANCE**

- Keep your Hi-Force crimper set free from dirt, sand and grease at all times. Any contamination will greatly reduce the Crimper effectiveness. Crimpers come complete with either storage boxes or bags. Always store your Hi-Force Crimper Set properly.
- Regularly check all fastenings to ensure they have not worked loose.
- Always fully retract the Crimper Head Piston between operations and while stored. Leaving the Piston extended will weaken the Retraction Spring and also leave the piston exposed to damage/ corrosion.
- For major overhauls/ repairs contact HI-Force or your nearest Hi-Force service centre.

1010

- After storage for long periods the battery will need to be charged fully before next use.
- Changing the oil: Remove the two screws on the rear of the unit (see pictures below) Remove the oil filler cover. Pull out the reservoir plug. Tip out the old oil and dispose of with respect for the environment. Re-fill with clean hydraulic oil to ISO viscosity grade 15.
- If storing for long periods spray exposed metal parts with rust preventative oil.



Oil filling procedure