

1106

**BW BACKUP WRENCHES – OPERATING INSTRUCTIONS.**

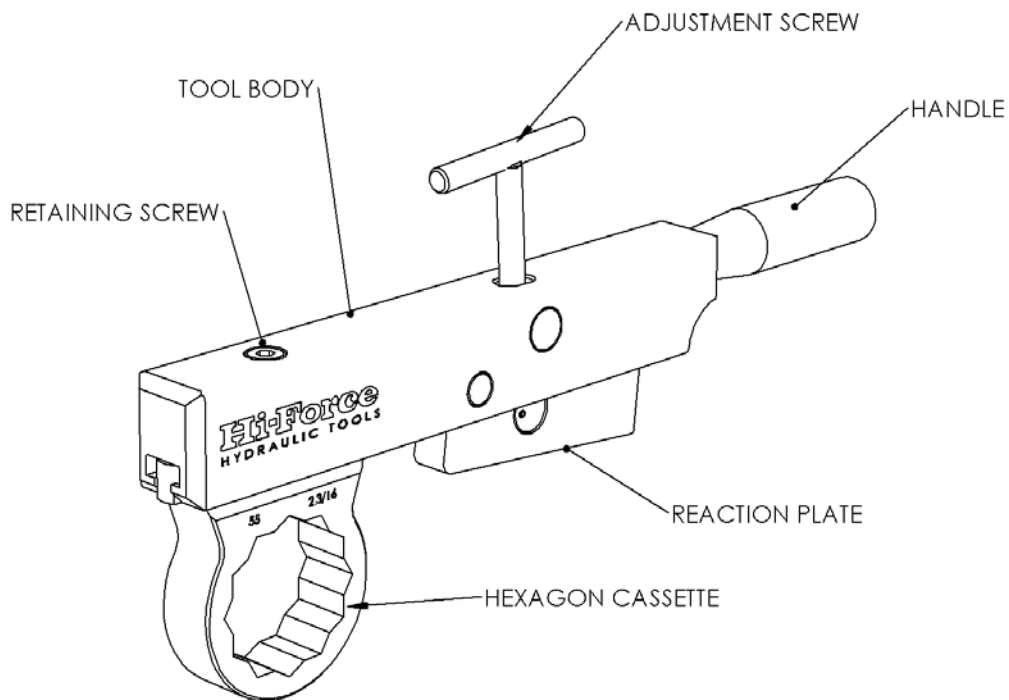
**SAFETY**

Risk of trapping: Keep all body parts and loose clothing away from the reaction plate when the tool is in operation.

Always wear appropriate personal protective equipment including safety glasses, safety footwear and gloves.

Do not hammer, or lever the backup wrench in an attempt to fit or remove from nut.

Always ensure that the correct size hexagon cassette is used for the nut being held.



**OPERATION.**

Select the correct size of hexagon cassette and slide it fully into the “Tee” slot on the tool body. Fit and tighten the retaining screw.

Ensure that the adjustment screw is turned at least six turns clockwise from its fully anticlockwise position. This will ensure that the wrench can be released from the nut once the joint is tightened.

1106

Fit backup wrench onto the nut, so that the reaction plate is as close to the reaction point as possible, and hold in position if required by means of the handle. N.B in some cases it will be possible to turn the adjustment screw further clockwise to lock the backup wrench in position.

Commence tightening the nut on the other side of the joint and the backup wrench will move and abut against the reaction point, holding itself in position. **WARNING:** Take great care to avoid pinch points against surrounding objects if holding the wrench at this stage.

When the joint is tight the backup wrench can be removed by unscrewing the adjustment screw.

**CARE.**

Wipe the tool clean after use and store in dry conditions.

Occasionally apply oil or grease to the thread of the adjustment screw and the pivot points.