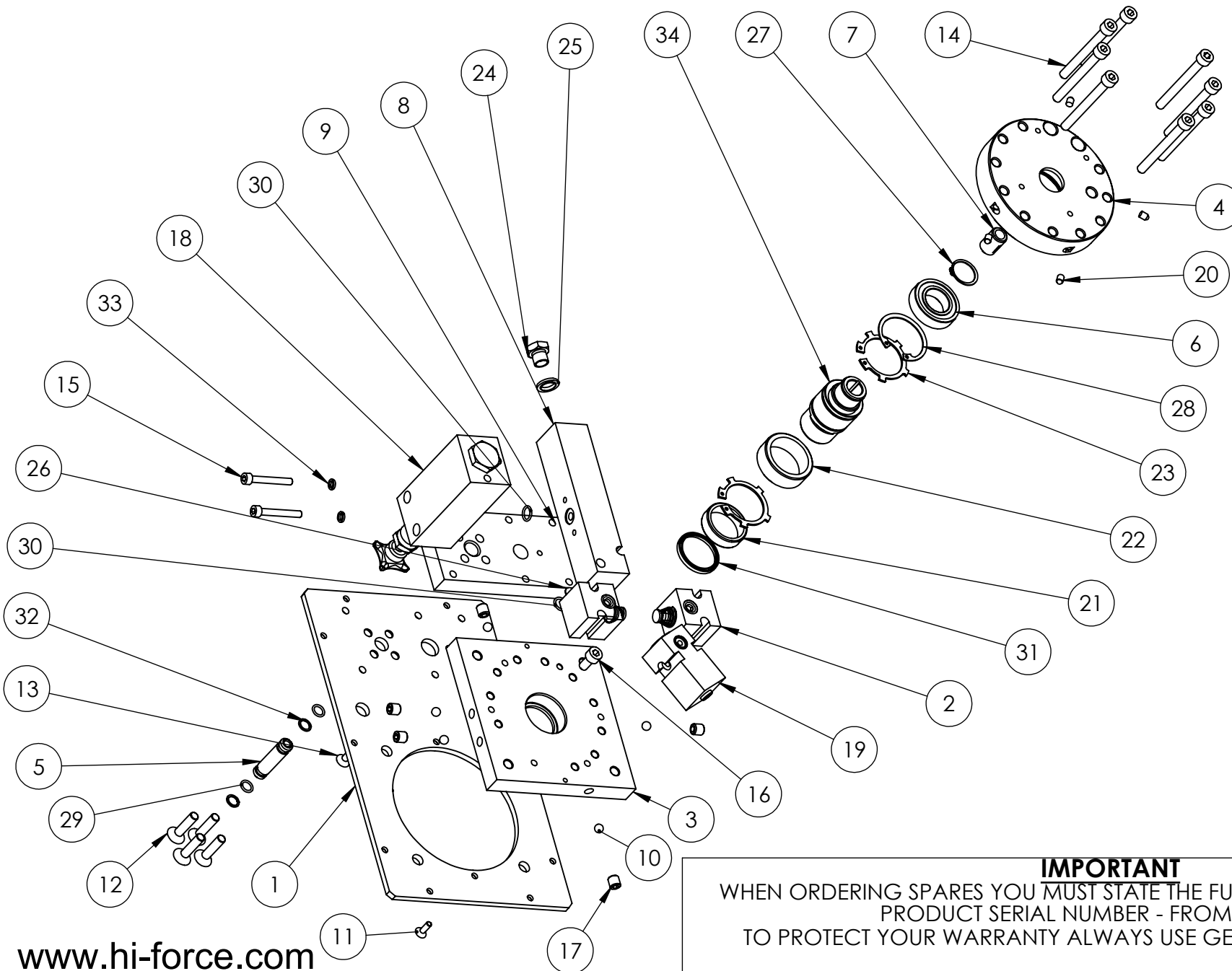


IMPORTANT
WHEN ORDERING SPARES YOU MUST STATE THE FULL PART NUMBER AND THE
PRODUCT SERIAL NUMBER - FROM THE LABEL
TO PROTECT YOUR WARRANTY ALWAYS USE GENUINE HI-FORCE PARTS.

MODEL	PUMP	VALVE	TANK	MOTOR	GEAR PUMP	CONNECTOR	FEED PIPE
HAP21 0 1 1	TYPE200-19	PM1	PPR10	AM1	GP48	15501B	FPC013NC001, FPC013FC001
HAP21 0 1 2	TYPE200-19	PM1	PPR25	AM1	GP48	15501B	FPC013AC001
HAP21 0 1 4	TYPE200-19	PM1	PPR40	AM1	GP48	15501B	FPC013AC002
HAP21 0 1 6	TYPE200-19	PM1	PPR60	AM1	GP48	15501B	FPC013AC002
HAP21 0 2 1	TYPE200-19	PMV2	PPR10	AM1	GP48	15501B	FPC013NC001, FPC013FC001
HAP21 0 2 2	TYPE200-19	PMV2	PPR25	AM1	GP48	15501B	FPC013AC001
HAP21 0 2 4	TYPE200-19	PMV2	PPR40	AM1	GP48	15501B	FPC013AC002
HAP21 0 2 6	TYPE200-19	PMV2	PPR60	AM1	GP48	15501B	FPC013AC002
HAP21 0 3 1	TYPE200-19	PMV3-L	PPR10	AM1	GP48	15501B	FPC03NC001, FPC013FC001
HAP21 0 3 2	TYPE200-19	PMV3-L	PPR25	AM1	GP48	15501B	FPC013AC001
HAP21 0 3 4	TYPE200-19	PMV3-L	PPR40	AM1	GP48	15501B	FPC013AC002
HAP21 0 3 6	TYPE200-19	PMV3-L	PPR60	AM1	GP48	15501B	FPC013AC002
HAP21 0 4 1	TYPE200-19	PMV4-L	PPR10	AM1	GP48	15501B	FPC013NC001, FPC013FC001
HAP21 0 4 2	TYPE200-19	PMV4-L	PPR25	AM1	GP48	15501B	FPC013AC001
HAP21 0 4 4	TYPE200-19	PMV4-L	PPR40	AM1	GP48	15501B	FPC013AC002
HAP21 0 4 6	TYPE200-19	PMV4-L	PPR60	AM1	GP48	15501B	FPC013AC002

IMPORTANT

WHEN ORDERING SPARES YOU MUST STATE THE FULL PART NUMBER AND THE PRODUCT SERIAL NUMBER - FROM THE LABEL TO PROTECT YOUR WARRANTY ALWAYS USE GENUINE HI-FORCE PARTS.



SHEET 1 OF 2.

IMPORTANT
WHEN ORDERING SPARES YOU MUST STATE THE FULL PART NUMBER AND THE
PRODUCT SERIAL NUMBER - FROM THE LABEL
TO PROTECT YOUR WARRANTY ALWAYS USE GENUINE HI-FORCE PARTS.

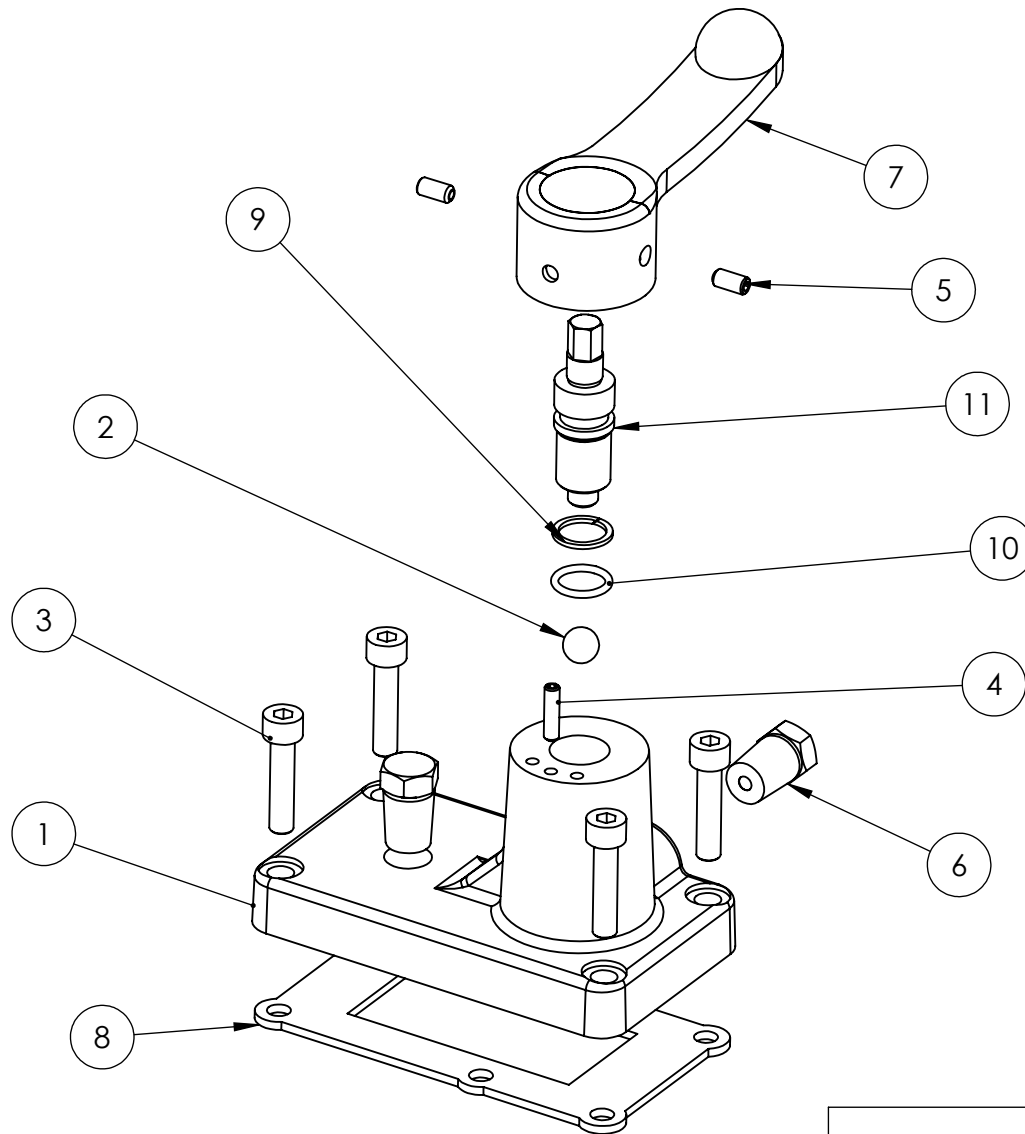
ITEM NO.	PART NUMBER	DESCRIPTION	QTY.
1	TAC000BA003	COVER PLATE	1
2	15494A	PISTON BLOCK ASSY.	2
3	15497	UPPER PLATE	1
4	15499	LOWER PLATE	1
5	E15503	CONNECTOR PIPE	1
6	BSC025MC001	LOWER PLATE BEARING	1
7	15507	ADAPTOR	1
8	17587	TRANSFER BLOCK	1
9	17588	VALVE PLATE	1
10	BAC008SN000	8mm BALL	5
11	BLC005HF016	SKT CSK SCREW	2
12	BLC008KF035	SKT CSK SCREW	4
13	BLC006JE016	SKT CSK SCREW	1
14	BLC008KC080	CAP HD SCREW	8
15	BLC006JC045	CAP HD SCREW	2
16	BLC008KD016	CAP HD SCREW	1
17	FAS010MA010	M10 X 10 CUP POINT GRUB SCREW	5
18	HPRV1	HIGH PRESSURE R/VALVE	1
19	LPRV1	LOW PRESSURE R/VALVE	1
20	BPC006RS001	SEALING PLUG	4
21	BSC035NC001	UPPER PLATE BEARING	1
22	BSC040ND001	ECCENTRIC BEARING	1
23	STC040AA001	CIRCLIP TYPE 200/300	2
24	FAS006GJ010	1/4 INCH BLANKING PLUG	1
25	X	DOWTY WASHER	1
26	FFC012MA001	SUCTION FILTER	1
27	STC025AA001	CIRCLIP	1
28	STC047BA001	CIRCLIP	1
29	X	O - RING	2
30	X	O - RING	2
31	X	UPPER PLATE OIL SEAL	1
32	X	BACK UP RING	2
33	WAC006BC001	SPRING WASHER	2
34	15498	19MM DRIVE SHAFT	1

NOTE: PARTS MARKED 'X' SUPPLIED IN KIT HEP207TP1-K ONLY.

SHEET 2 OF 2.

IMPORTANT

WHEN ORDERING SPARES YOU MUST STATE THE FULL PART NUMBER AND THE PRODUCT SERIAL NUMBER - FROM THE LABEL TO PROTECT YOUR WARRANTY ALWAYS USE GENUINE HI-FORCE PARTS.



ITEM NO.	PART NUMBER	DESCRIPTION	QTY.
1	VFC010BB001	PMV2 BASE	1
2	X	12mm BALL	1
3	BLC008KD035	CAP HD SCREW	4
4	FAS005MB001	CUP PT SCREW	1
5	FAS006MB012	CUP PT SCREW	2
6	FPC010PN001	3/8 NPT BLANKING PLUG	2
7	HLC012LP002	HANDLE	1
8	X	GASKET	1
9	X	BACK UP RING	1
10	X	O - RING	1
11	VFC010DR001	SPINDLE	1

ALL PARTS MARKED 'X' SUPPLIED IN KIT PMV2P1-K ONLY.

IMPORTANT

WHEN ORDERING SPARES YOU MUST STATE THE FULL PART NUMBER AND THE PRODUCT SERIAL NUMBER - FROM THE LABEL TO PROTECT YOUR WARRANTY ALWAYS USE GENUINE HI-FORCE PARTS.