

HDA | DOUBLE ACTING HIGH TONNAGE CYLINDERS

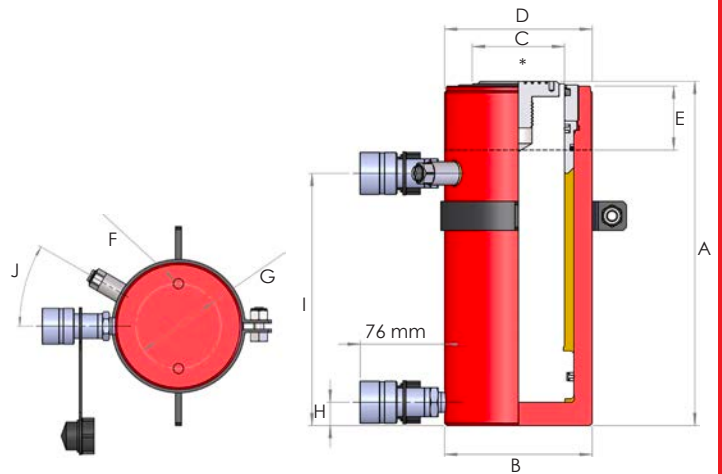


Capacities from 25 to 1012 tonnes

Stroke lengths from 152 to 508 mm

Working pressure 700 bar

- ▶ Double acting design offers higher work output with improved performance and efficiency
- ▶ Substantial pulling force in the piston retraction mode provides increased versatility
- ▶ Nitrocarburised cylinder body and piston rod for increased corrosion protection
- ▶ Low friction bearing surfaces
- ▶ Internal annular area overload protection valve
- ▶ Anti-extrusion seals for improved performance at high pressures
- ▶ Flat saddle, collar thread and piston rod thread as standard on all models up to 203 tonnes
- ▶ Replaceable tilting saddle fitted as standard on models from 326 tonnes and upwards
- ▶ Lifting ring as standard on models from 50 to 109 tonnes
- ▶ Eyebolts as standard on models from 152 to 1012 tonnes
- ▶ Optional piston rod saddles listed on pages 24 and 25



Note: Base mounting holes (F) will not withstand full load. Base mounting holes for easy positioning. Base mounting holes on model HDA5020 are at a random angular orientation to the cylinder ports.

**see pages 24 and 25*

Model number	Capacity (tonnes) Push	Capacity (tonnes) Pull	Stroke (mm)	Oil capacity (litres)	Cylinder eff. area (cm ²)	Weight (kg)
HDA256	25	10	152	0.53	34.9	15.0
HDA506	50	15	152	1.08	71.3	28.4
HDA5013	50	15	330	2.35	71.3	42.6
HDA5020	50	15	508	3.62	71.3	62.8
HDA1006	109	36	152	2.33	153.3	64.5
HDA10013	109	36	330	5.06	153.3	89.0
HDA1506	152	79	152	3.26	214.2	90.0
HDA15012	152	79	305	6.53	214.2	120.5
HDA2006	203	94	152	4.33	285.2	129.8
HDA20012	203	94	305	8.69	285.2	167.4
HDA3006	326	-	152	6.95	457.4	193.0
HDA30012	326	-	305	13.95	457.4	250.0
HDA4006	398	-	152	8.49	558.9	286.0
HDA5006	520	-	152	11.09	729.9	372.0
HDA8006	809	-	152	17.28	1134.1	650.0
HDA10006	1012	-	152	21.62	1419.3	900.0

Dimensions (mm) (unless otherwise stated)										
A	B	C	D	E	F	G	H	I	J	
287	92	50	3 5/16"-12 UN	53	M10	60	30	212	40°	
295	127	79	5"-12 UN	55	M12	85	20	216	30°	
473	127	79	5"-12 UN	55	M12	85	20	394	30°	
730	127	79	5"-12 UN	55	M12	85	68	636	30°	
304	185	114	6 7/8"-12 UN	51	M12	146	30	226	30°	
482	185	114	6 7/8"-12 UN	51	M12	146	30	404	30°	
310	210	114	8"-12 UN	55	M16	160	35	231	30°	
463	210	114	8"-12 UN	55	M16	160	35	384	30°	
327	254	140	9 3/4"-12 UN	65	M20	185	43	238	30°	
480	254	140	9 3/4"-12 UN	65	M20	185	43	391	30°	
409	312	165	Optional	Optional	M20	158	50	262	30°	
562	312	165	Optional	Optional	M20	158	50	415	30°	
431	360	216	Optional	Optional	M24	203	55	277	30°	
470	397	203	Optional	Optional	M24	203	65	300	30°	
535	500	300	Optional	Optional	Optional	Optional	70	318	30°	
590	540	320	Optional	Optional	Optional	Optional	99	357	30°	

Note: Other capacities and stroke lengths available on request. If specifying this cylinder for use with the SLF and SLV synchronous lifting systems and associated mounting kit, please consider the increase in dimension A (closed height), see pages 43 and 47.