

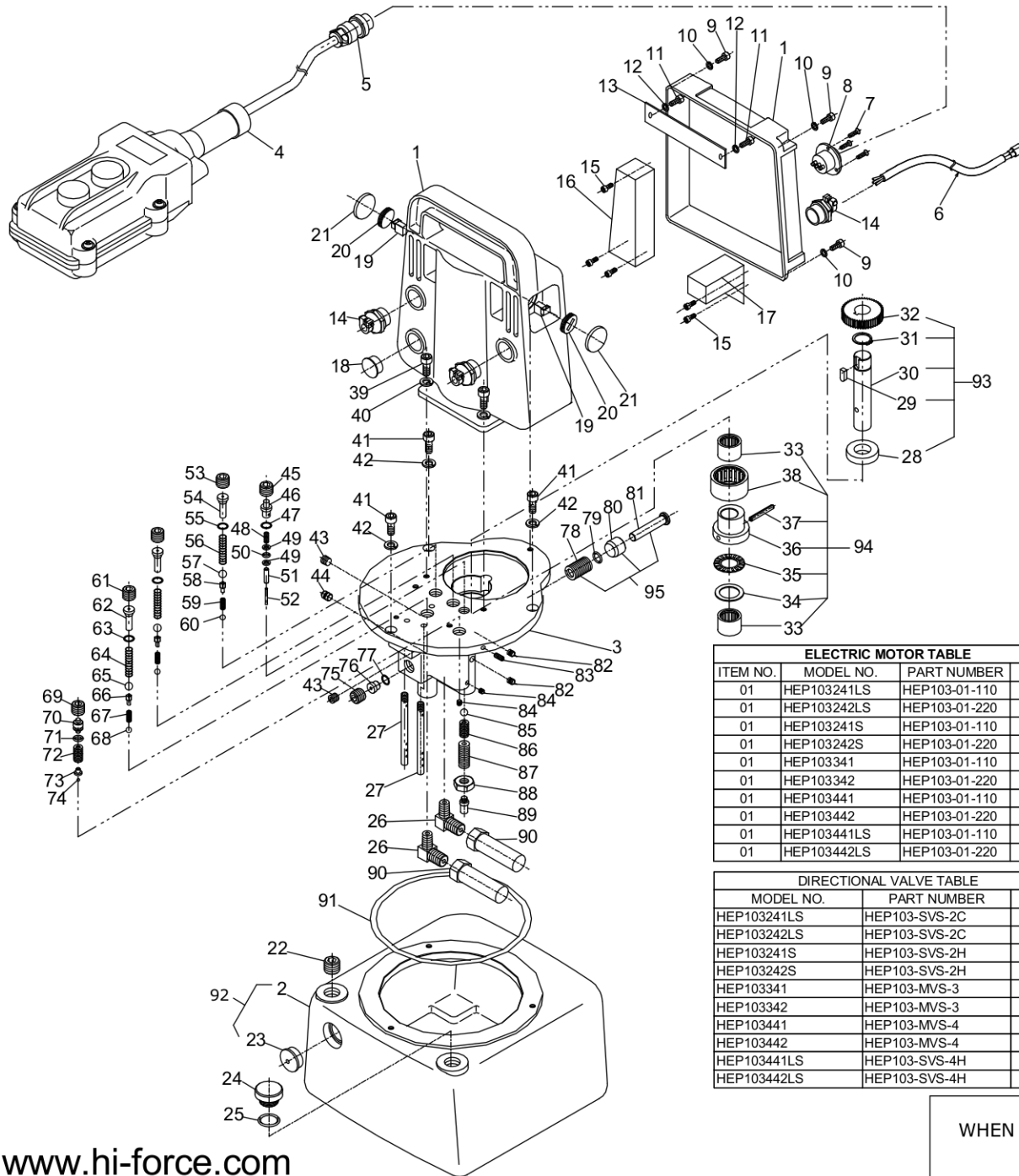
ELECTRIC TWO STAGE COMPACT PUMP. HEP103

SERIAL NUMBERS

ALL

SPARE PARTS LIST NO.

HEP103P2



| ITEM NO. | PART NO. | DESCRIPTION | QTY |
|----------|---------------|--------------------------|-----|
| 02 | TA | Reservoir, 5 ltr. | 1 |
| 03 | HEP103-03 | Plate | 1 |
| 04 | HEP103-04 | Pendant switch | 1 |
| 05 | HEP103-05 | Plug Socket | 1 |
| 06 | HEP103-06 | Power cord, 2M | 1 |
| 07 | HEP103-07 | Screw | 3 |
| 08 | HEP103-08 | Metal Plug Socket | 1 |
| 09 | MA | Fitting Bolt | 4 |
| 10 | MA | Spring Washer | 4 |
| 11 | HEP103-11 | Fitting Bolt | 2 |
| 12 | HEP103-12 | Spring Washer | 2 |
| 13 | HEP103-13 | Guide Plate | 1 |
| 14 | HEP103-14 | Cap Cone | 3 |
| 15 | HEP103-15 | Fitting Bolt | 5 |
| 16 | HEP103-16-01 | PC board 341, 241S & 441 | 1 |
| 16 | HEP103-16-02 | PC board 342, 242S & 442 | 1 |
| 16 | HEP103-16-04 | PC board 241LS & 441LS | 1 |
| 16 | HEP103-16-08 | PC board 242LS & 442LS | 1 |
| 17 | HEP103-17-110 | DC Power Supply 110V | 1 |
| 17 | HEP103-17-220 | DC Power Supply 220V | 1 |
| 18 | HEP103-18 | Hole Plug | 3 |
| 19 | X | Carbon Brush | 2 |
| 20 | HEP103-20 | Screw Cap | 2 |
| 21 | HEP103-21 | Rubber Plug | 2 |
| 22 | HEP103-22 | Blind Screw | 1 |
| 23 | TA | Oil Gauge | 1 |
| 24 | HEP103-24 | Filler Plug | 1 |
| 25 | HEP103-25 | O-Ring | 1 |
| 26 | HEP103-26 | L Fitting | 2 |
| 27 | HEP103-27 | Return Pipe | 2 |
| 28 | DS | Oil Seal | 1 |
| 29 | DS | Key | 1 |
| 30 | DS | Drive Shaft | 1 |
| 31 | DS | Snap Ring | 1 |
| 32 | DS | No. 2 Gear | 1 |
| 33 | BA | Bearing | 2 |
| 34 | BA | Thrust Washer | 1 |
| 35 | BA | Thrust Bearing | 1 |
| 36 | BA | Eccentric Collar | 1 |
| 37 | BA | Spring Pin | 1 |
| 38 | BA | Bearing | 1 |
| 39 | HEP103-39 | Fitting Bolt | 3 |
| 40 | HEP103-40 | Spring Washer | 3 |
| 41 | HEP103-41 | Fitting Bolt | 3 |
| 42 | HEP103-42 | Spring Washer | 3 |
| 43 | HEP103-43 | Blind Plug | 2 |
| 44 | HEP103-44 | Expander | 1 |
| 45 | HEP103-45 | Blind Screw | 1 |
| 46 | HEP103-46 | Blind Plug | 1 |

| ITEM NO. | PART NO. | DESCRIPTION | QTY |
|----------|-----------|----------------------|-----|
| 47 | X | Copper Packing | 1 |
| 48 | HEP103-48 | Spring | 1 |
| 49 | X | Back Up-Ring | 2 |
| 50 | X | O-Ring | 1 |
| 51 | HEP103-51 | Needle Roller | 1 |
| 52 | HEP103-52 | Push Pin | 1 |
| 53 | HEP103-53 | Blind Plug | 2 |
| 54 | HEP103-54 | Retainer | 2 |
| 55 | HEP103-55 | Copper Packing | 2 |
| 56 | HEP103-56 | Spring | 2 |
| 57 | HEP103-57 | Steel Ball | 2 |
| 58 | HEP103-58 | Retainer | 2 |
| 59 | HEP103-59 | Spring | 2 |
| 60 | HEP103-60 | Steel ball | 2 |
| 61 | HEP103-61 | Blind Plug | 1 |
| 62 | HEP103-62 | Retainer | 1 |
| 63 | HEP103-63 | Copper Packing | 1 |
| 64 | HEP103-64 | Spring | 1 |
| 65 | HEP103-65 | Steel Ball | 1 |
| 66 | HEP103-66 | Retainer | 1 |
| 67 | HEP103-67 | Spring | 1 |
| 68 | HEP103-68 | Steel Ball | 1 |
| 69 | HEP103-69 | Pushing Screw | 1 |
| 70 | X | Spring Pusher | 1 |
| 71 | X | O-Ring | 1 |
| 72 | X | Spring | 1 |
| 73 | X | Ball Receiver | 1 |
| 74 | X | Steel Ball | 1 |
| 75 | HEP103-75 | Screw Plug | 1 |
| 76 | HEP103-76 | Blind Plug | 1 |
| 77 | HEP103-77 | Copper Packing | 1 |
| 78 | HP | Spring | 1 |
| 79 | HEP103-79 | O-Ring | 1 |
| 80 | HP | LP Piston | 1 |
| 81 | HP | HP Piston | 1 |
| 82 | HEP103-82 | Expander | 2 |
| 83 | HEP103-83 | Lock Screw | 1 |
| 84 | HEP103-84 | Expander | 2 |
| 85 | HEP103-85 | Steel Ball | 1 |
| 86 | HEP103-86 | Spring | 1 |
| 87 | HEP103-87 | Adjusting Screw | 1 |
| 88 | HEP103-88 | Lock Nut | 1 |
| 89 | HEP103-89 | Air Filter | 1 |
| 90 | HEP103-90 | Filter | 2 |
| 91 | X | O-Ring | 1 |
| 92 | HEP103-92 | Tank Assembly | 1 |
| 93 | HEP103-93 | Drive Shaft Assembly | 1 |
| 94 | HEP103-94 | Bearing Assembly | 1 |
| 95 | HEP103-95 | HP Piston Assembly | 1 |

ELECTRIC MOTOR TABLE

| ITEM NO. | MODEL NO. | PART NUMBER | QTY |
|----------|-------------|---------------|-----|
| 01 | HEP103241LS | HEP103-01-110 | 1 |
| 01 | HEP103242LS | HEP103-01-220 | 1 |
| 01 | HEP103241S | HEP103-01-110 | 1 |
| 01 | HEP103242S | HEP103-01-220 | 1 |
| 01 | HEP103341 | HEP103-01-110 | 1 |
| 01 | HEP103342 | HEP103-01-220 | 1 |
| 01 | HEP103441 | HEP103-01-110 | 1 |
| 01 | HEP103442 | HEP103-01-220 | 1 |
| 01 | HEP103441LS | HEP103-01-110 | 1 |
| 01 | HEP103442LS | HEP103-01-220 | 1 |

DIRECTIONAL VALVE TABLE

| MODEL NO. | PART NUMBER | QTY |
|-------------|---------------|-----|
| HEP103241LS | HEP103-SVS-2C | 1 |
| HEP103242LS | HEP103-SVS-2C | 1 |
| HEP103241S | HEP103-SVS-2H | 1 |
| HEP103242S | HEP103-SVS-2H | 1 |
| HEP103341 | HEP103-MVS-3 | 1 |
| HEP103342 | HEP103-MVS-3 | 1 |
| HEP103441 | HEP103-MVS-4 | 1 |
| HEP103442 | HEP103-MVS-4 | 1 |
| HEP103441LS | HEP103-SVS-4H | 1 |
| HEP103442LS | HEP103-SVS-4H | 1 |

NOTE: ITEMS MARKED "MA" ONLY AVAILABLE AS PART OF MOTOR ASSY. ITEM 01

NOTE: ITEMS MARKED "TA" ONLY AVAILABLE AS TANK ASSY. ITEM 92

NOTE: ITEMS MARKED "DS" ONLY AVAILABLE AS DRIVE SHAFT ASSY. ITEM 93

NOTE: ITEMS MARKED "BA" ONLY AVAILABLE AS BEARING ASSY. ITEM 94

NOTE: ITEMS MARKED "HP" ONLY AVAILABLE AS HP PISTON ASSY. ITEM 95

NOTE: ITEMS MARKED "X" SUPPLIED IN KIT HEP103TP1-K ONLY

IMPORTANT

WHEN ORDERING SPARES YOU MUST STATE THE FULL PART NUMBER AND THE PRODUCT SERIAL NUMBER FROM THE LABEL

TO PROTECT YOUR WARRANTY ALWAYS USE GENUINE HI-FORCE PARTS