

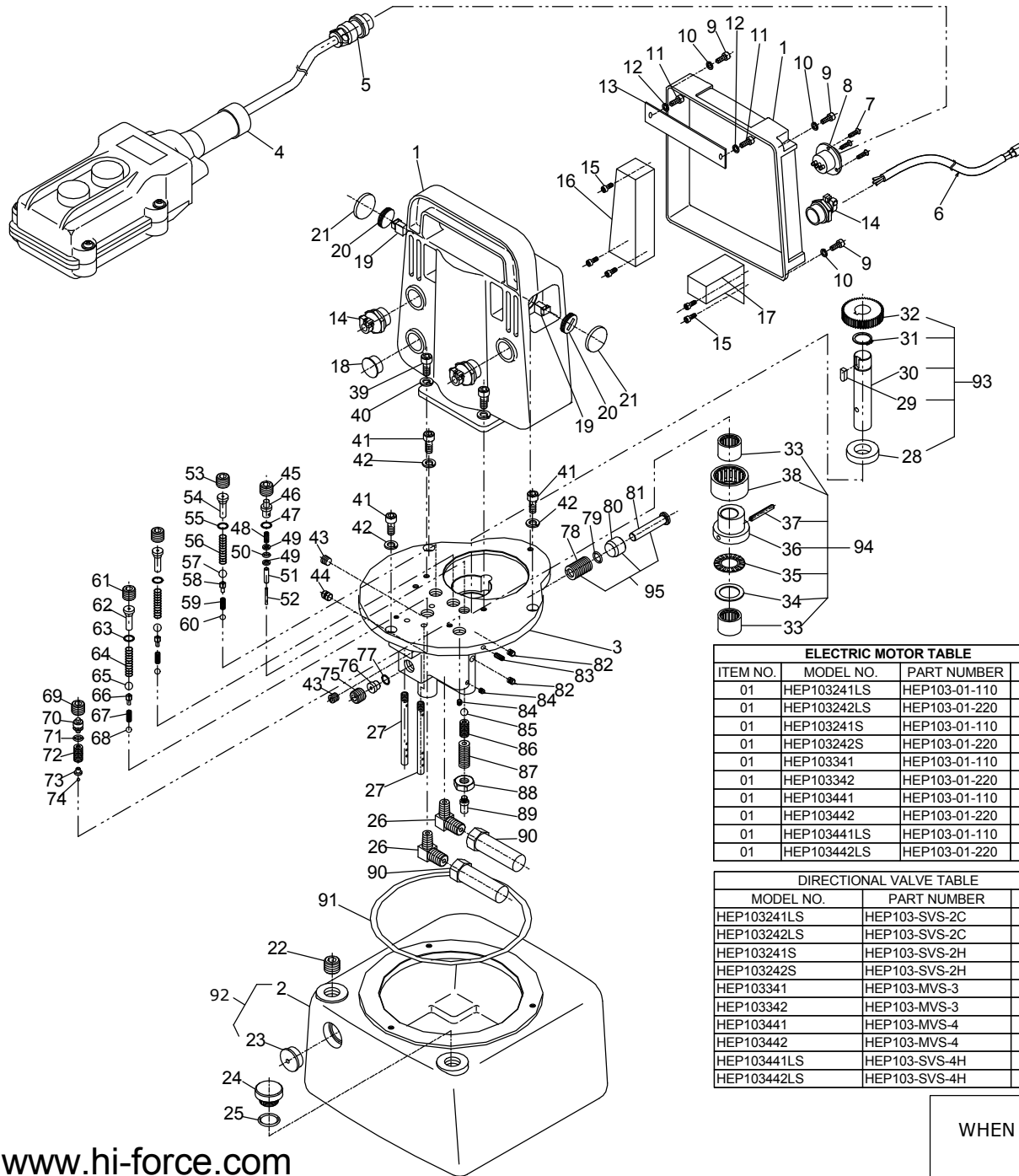
ELECTRIC TWO STAGE COMPACT PUMP. HEP103

SERIAL NUMBERS

ALL

SPARE PARTS LIST NO.

HEP103P2



ITEM NO.	PART NO.	DESCRIPTION	QTY	ITEM NO.	PART NO.	DESCRIPTION	QTY
02	TA	Reservoir, 5 ltr.	1	47	X	Copper Packing	1
03	HEP103-03	Plate	1	48	HEP103-48	Spring	1
04	HEP103-04	Pendant switch	1	49	X	Back Up-Ring	2
05	HEP103-05	Plug Socket	1	50	X	O-Ring	1
06	HEP103-06	Power cord, 2M	1	51	HEP103-51	Needle Roller	1
07	HEP103-07	Screw	3	52	HEP103-52	Push Pin	1
08	HEP103-08	Metal Plug Socket	1	53	HEP103-53	Blind Plug	2
09	MA	Fitting Bolt	4	54	HEP103-54	Retainer	2
10	MA	Spring Washer	4	55	HEP103-55	Copper Packing	2
11	HEP103-11	Fitting Bolt	2	56	HEP103-56	Spring	2
12	HEP103-12	Spring Washer	2	57	HEP103-57	Steel Ball	2
13	HEP103-13	Guide Plate	1	58	HEP103-58	Retainer	2
14	HEP103-14	Cap Cone	3	59	HEP103-59	Spring	2
15	HEP103-15	Fitting Bolt	5	60	HEP103-60	Steel ball	2
16	HEP103-16-01	PC board 341, 342, 441 & 442	1	61	HEP103-61	Blind Plug	1
16	HEP103-16-02	PC board 241S & 242S	1	62	HEP103-62	Retainer	1
16	HEP103-16-04	PC board 241LS & 242LS	1	63	HEP103-63	Copper Packing	1
16	HEP103-16-08	PC board for 441LS & 442LS	1	64	HEP103-64	Spring	1
17	HEP103-17-110	DC Power Supply 110V	1	65	HEP103-65	Steel Ball	1
17	HEP103-17-220	DC Power Supply 220V	1	66	HEP103-66	Retainer	1
18	HEP103-18	Hole Plug	3	67	HEP103-67	Spring	1
19	X	Carbon Brush	2	68	HEP103-68	Steel Ball	1
20	HEP103-20	Screw Cap	2	69	HEP103-69	Pushing Screw	1
21	HEP103-21	Rubber Plug	2	70	X	Spring Pusher	1
22	HEP103-22	Blind Screw	1	71	X	O-Ring	1
23	TA	Oil Gauge	1	72	X	Spring	1
24	HEP103-24	Filler Plug	1	73	X	Ball Receiver	1
25	HEP103-25	O-Ring	1	74	X	Steel Ball	1
26	HEP103-26	L Fitting	2	75	HEP103-75	Screw Plug	1
27	HEP103-27	Return Pipe	2	76	HEP103-76	Blind Plug	1
28	DS	Oil Seal	1	77	HEP103-77	Copper Packing	1
29	DS	Key	1	78	HP	Spring	1
30	DS	Drive Shaft	1	79	HEP103-79	O-Ring	1
31	DS	Snap Ring	1	80	HP	LP Piston	1
32	DS	No. 2 Gear	1	81	HP	HP Piston	1
33	BA	Bearing	2	82	HEP103-82	Expander	2
34	BA	Thrust Washer	1	83	HEP103-83	Lock Screw	1
35	BA	Thrust Bearing	1	84	HEP103-84	Expander	2
36	BA	Eccentric Collar	1	85	HEP103-85	Steel Ball	1
37	BA	Spring Pin	1	86	HEP103-86	Spring	1
38	BA	Bearing	1	87	HEP103-87	Adjusting Screw	1
39	HEP103-39	Fitting Bolt	3	88	HEP103-88	Lock Nut	1
40	HEP103-40	Spring Washer	3	89	HEP103-89	Air Filter	1
41	HEP103-41	Fitting Bolt	3	90	HEP103-90	Filter	2
42	HEP103-42	Spring Washer	3	91	X	O-Ring	1
43	HEP103-43	Blind Plug	2	92	HEP103-92	Tank Assembly	1
44	HEP103-44	Expander	1	93	HEP103-93	Drive Shaft Assembly	1
45	HEP103-45	Blind Screw	1	94	HEP103-94	Bearing Assembly	1
46	HEP103-46	Blind Plug	1	95	HEP103-95	HP Piston Assembly	1

ELECTRIC MOTOR TABLE

ITEM NO.	MODEL NO.	PART NUMBER	QTY
01	HEP103241LS	HEP103-01-110	1
01	HEP103242LS	HEP103-01-220	1
01	HEP103241S	HEP103-01-110	1
01	HEP103242S	HEP103-01-220	1
01	HEP103341	HEP103-01-110	1
01	HEP103342	HEP103-01-220	1
01	HEP103441	HEP103-01-110	1
01	HEP103442	HEP103-01-220	1
01	HEP103441LS	HEP103-01-110	1
01	HEP103442LS	HEP103-01-220	1

DIRECTIONAL VALVE TABLE

MODEL NO.	PART NUMBER	QTY
HEP103241LS	HEP103-SVS-2C	1
HEP103242LS	HEP103-SVS-2C	1
HEP103241S	HEP103-SVS-2H	1
HEP103242S	HEP103-SVS-2H	1
HEP103341	HEP103-MVS-3	1
HEP103342	HEP103-MVS-3	1
HEP103441	HEP103-MVS-4	1
HEP103442	HEP103-MVS-4	1
HEP103441LS	HEP103-SVS-4H	1
HEP103442LS	HEP103-SVS-4H	1

NOTE: ITEMS MARKED "MA" ONLY AVAILABLE AS PART OF MOTOR ASSY. ITEM 01
 NOTE: ITEMS MARKED "TA" ONLY AVAILABLE AS TANK ASSY. ITEM 92
 NOTE: ITEMS MARKED "DS" ONLY AVAILABLE AS DRIVE SHAFT ASSY. ITEM 93
 NOTE: ITEMS MARKED "BA" ONLY AVAILABLE AS BEARING ASSY. ITEM 94
 NOTE: ITEMS MARKED "HP" ONLY AVAILABLE AS HP PISTON ASSY. ITEM 95
 NOTE: ITEMS MARKED "X" SUPPLIED IN KIT HEP103TP1-K ONLY

IMPORTANT
 WHEN ORDERING SPARES YOU MUST STATE THE FULL PART NUMBER AND THE PRODUCT SERIAL NUMBER FROM THE LABEL
 TO PROTECT YOUR WARRANTY ALWAYS USE GENUINE HI-FORCE PARTS