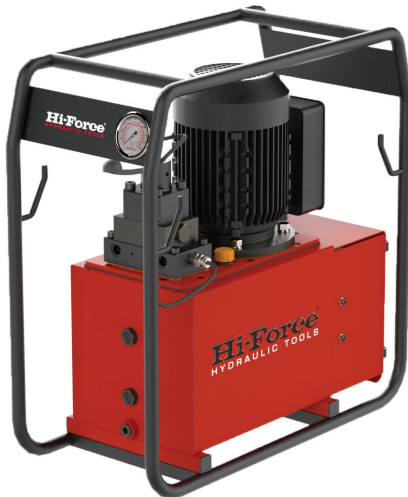


HEP2 | ELECTRIC DRIVEN PUMPS - GENERAL DUTY MEDIUM FLOW

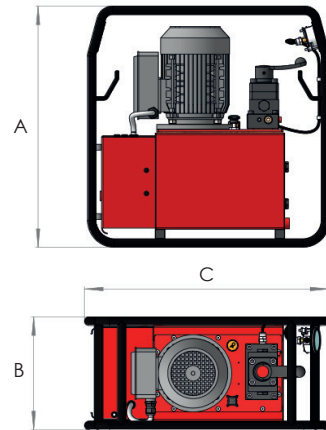


Working pressure 700 bar

Two stage operation

Choice of 10 or 25 litre oil reservoir

- ▶ Choice of 110/115, 220/240 or 380/440 volt electric motors available as standard
- ▶ Choice of 2, 3 or 4-way manual control valves with load holding feature on 3 & 4-way versions
- ▶ Externally adjustable pressure relief for pressure settings up to 700 bar
- ▶ Completely enclosed fan cooled low noise electric motors
- ▶ Cable management features for cable/hose winding and stowage
- ▶ Supplied as standard with pressure gauge and a robust roll frame



Model number	Valve type	Oil capacity (litres)	Maximum flow rate (l/min)		Motor voltage	Model number (60 Hz motor)	Weight (kg)	Dimensions (mm)		
			1 st stage	2 nd stage				A	B	C
HEP207111	P-T Plate	10	7	0.65	110/115V-1Ph	HEP207111H	52.0	627	292	632
HEP207112	P-T Plate	10	7	0.65	220/240V-1Ph	HEP207112H	52.0	627	292	632
HEP207114	P-T Plate	10	7	0.65	380/440V-3Ph	-	52.0	627	292	632
HEP207121	P-T Plate	25	7	0.65	110/115V-1Ph	HEP207121H	68.0	627	352	754
HEP207122	P-T Plate	25	7	0.65	220/240V-1Ph	HEP207122H	68.0	627	352	754
HEP207124	P-T Plate	25	7	0.65	380/440V-3Ph	-	68.0	627	352	754
HEP207211	2-way	10	7	0.65	110/115V-1Ph	HEP207211H	52.5	627	292	632
HEP207212	2-way	10	7	0.65	220/240V-1Ph	HEP207212H	52.5	627	292	632
HEP207214	2-way	10	7	0.65	380/440V-3Ph	-	52.5	627	292	632
HEP207221	2-way	25	7	0.65	110/115V-1Ph	HEP207221H	68.5	627	352	754
HEP207222	2-way	25	7	0.65	220/240V-1Ph	HEP207222H	68.5	627	352	754
HEP207224	2-way	25	7	0.65	380/440V-3Ph	-	68.5	627	352	754
HEP207311	3-way	10	7	0.65	110/115V-1Ph	HEP207311H	52.5	627	292	632
HEP207312	3-way	10	7	0.65	220/240V-1Ph	HEP207312H	52.5	627	292	632
HEP207314	3-way	10	7	0.65	380/440V-3Ph	-	52.5	627	292	632
HEP207321	3-way	25	7	0.65	110/115V-1Ph	HEP207321H	68.5	627	352	754
HEP207322	3-way	25	7	0.65	220/240V-1Ph	HEP207322H	68.5	627	352	754
HEP207324	3-way	25	7	0.65	380/440V-3Ph	-	68.5	627	352	754
HEP207411	4-way	10	7	0.65	110/115V-1Ph	HEP207411H	52.5	627	292	632
HEP207412	4-way	10	7	0.65	220/240V-1Ph	HEP207412H	52.5	627	292	632
HEP207414	4-way	10	7	0.65	380/440V-3Ph	-	52.5	627	292	632
HEP207421	4-way	25	7	0.65	110/115V-1Ph	HEP207421H	68.5	627	352	754
HEP207422	4-way	25	7	0.65	220/240V-1Ph	HEP207422H	68.5	627	352	754
HEP207424	4-way	25	7	0.65	380/440V-3Ph	-	68.5	627	352	754

Note: 1) All 380/440V models are suitable for operation at 50 Hz and 60 Hz
 2) All 110/115 and 220/240 volt models are supplied to run at 50 Hz as standard, refer to the table for pumps with 60 Hz motor. 60 Hz models deliver approximately 15-20% higher flow rate.
 3) To order pumps with low voltage solenoid valve with hand pendant controller, suffix the pump model with 'S'
 4) Other configurations are available on request