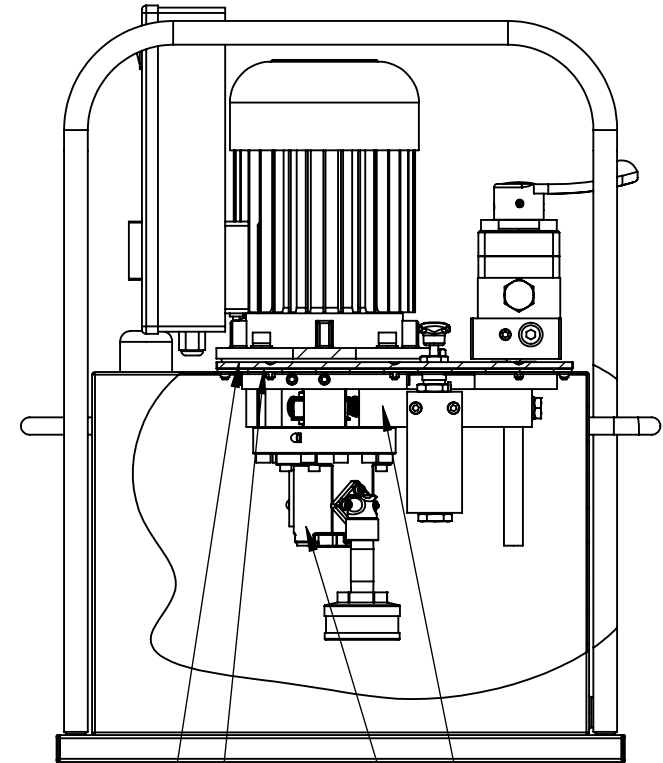
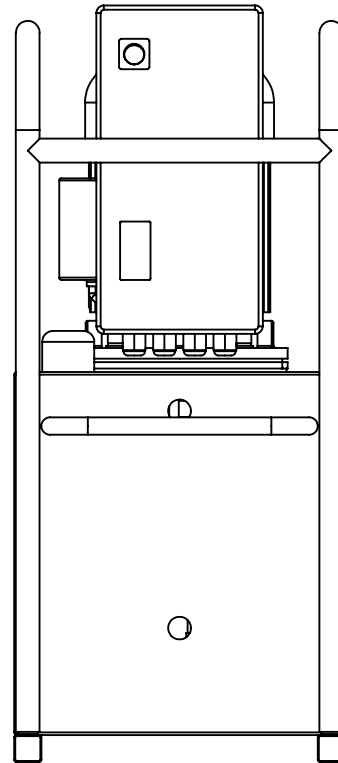
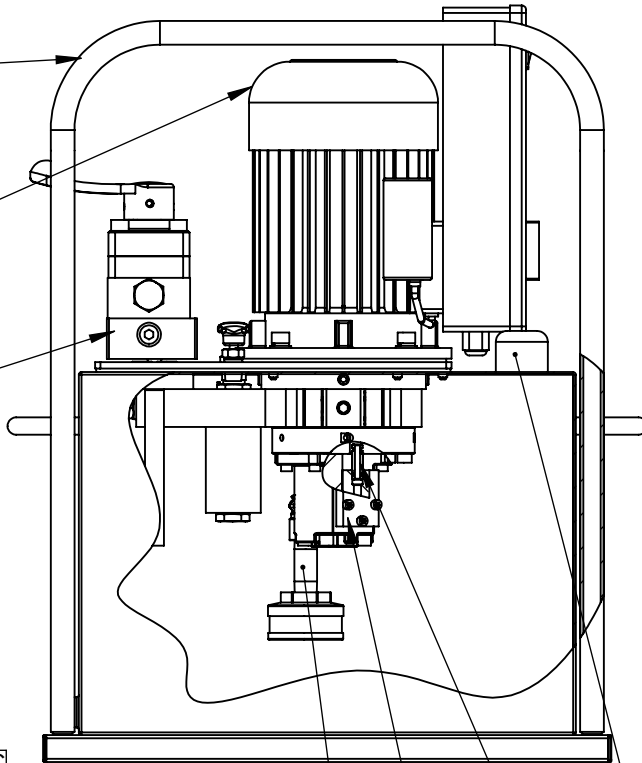


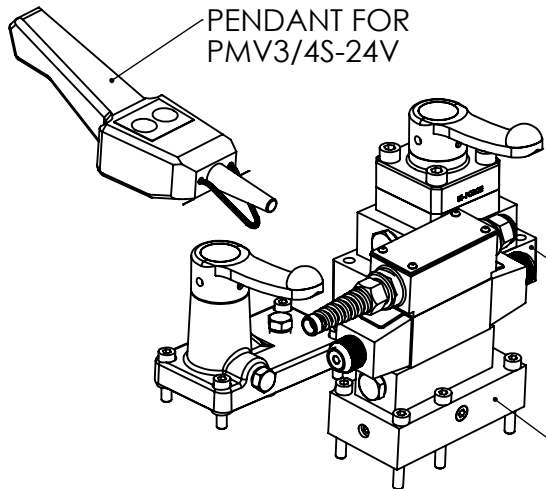
ROLL FRAME.
(IF FITTED)

MOTOR

VALVE



VALVE VARIATIONS



PENDANT FOR
PMV3/4S-24V

PMV3L/
PMV4L

PMV3S-24V
PMV4S-24V

FILLER/ BREATHER
PT NO: FFC028PZ001

CONNECTOR

TRANSFER PLATE.
PT NO: 15493

FEED PIPE

GASKET.
PT NO: SEC001KT003

GASKET.
PT NO: 15482

PUMP

GEAR PUMP

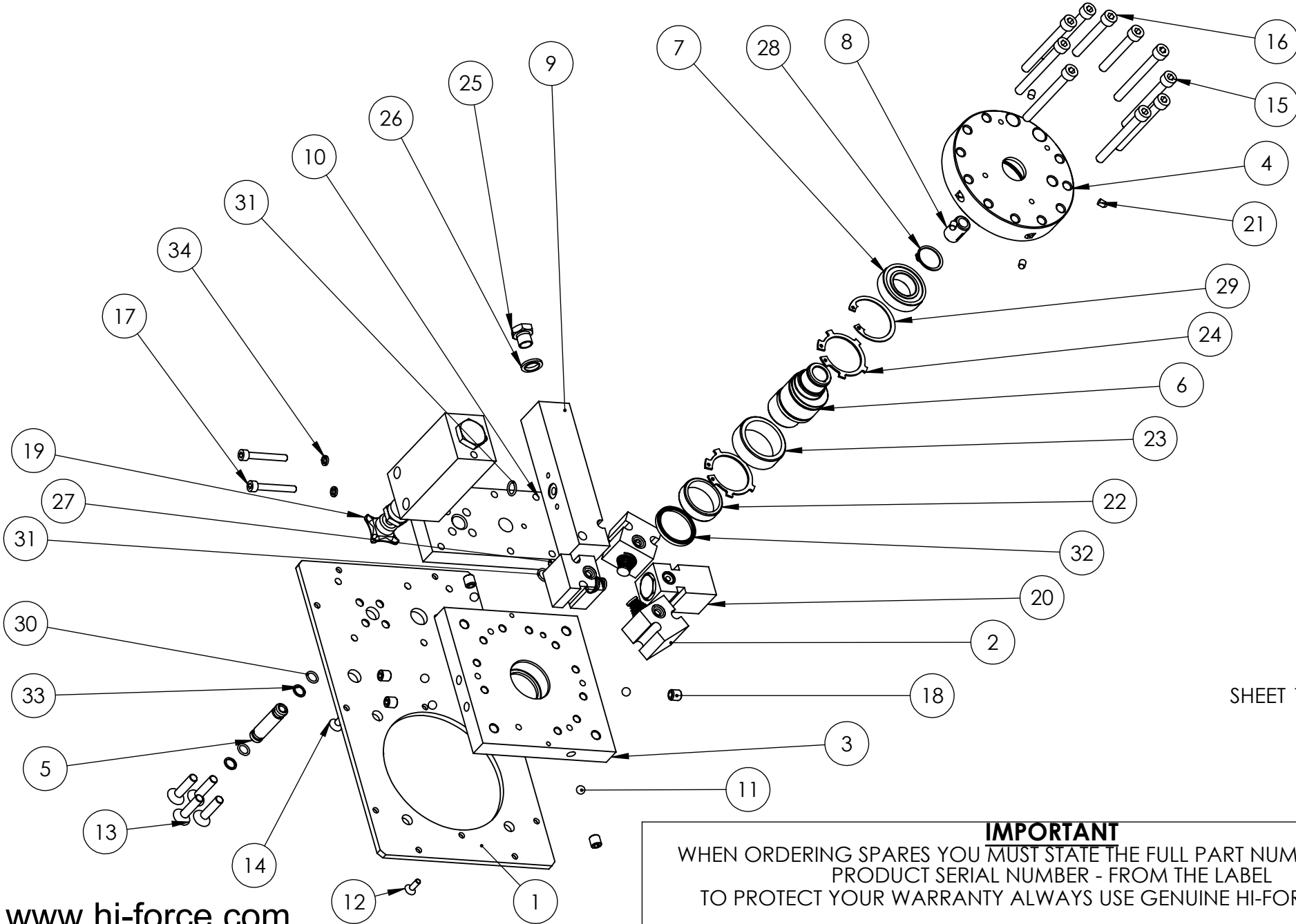
IMPORTANT
WHEN ORDERING SPARES YOU MUST STATE THE FULL PART NUMBER AND THE
PRODUCT SERIAL NUMBER - FROM THE LABEL
TO PROTECT YOUR WARRANTY ALWAYS USE GENUINE HI-FORCE PARTS.

HEP310	2	2	4	TYPE300-24	PMV2	PPR25	EM415/2.2/4	GP60	15510C	FPC013AC001
HEP310	2	4	1	TYPE300-24	PMV2	PPR40	EM110/2.2/4	GP60	15510C	FPC013AC002
HEP310	2	4	2	TYPE300-24	PMV2	PPR40	EM240/2.2/4	GP60	15510C	FPC013AC002
HEP310	2	4	4	TYPE300-24	PMV2	PPR40	EM415/2.2/4	GP60	15510C	FPC013AC002
HEP310	3	2	1	TYPE300-24	PMV3-L	PPR25	EM110/2.2/4	GP60	15510C	FPC013AC001
HEP310	3	2	2	TYPE300-24	PMV3-L	PPR25	EM240/2.2/4	GP60	15510C	FPC013AC001
HEP310	3	2	4	TYPE300-24	PMV3-L	PPR25	EM415/2.2/4	GP60	15510C	FPC013AC001
HEP310	3	4	1	TYPE300-24	PMV3-L	PPR40	EM110/2.2/4	GP60	15510C	FPC013AC002
HEP310	3	4	2	TYPE300-24	PMV3-L	PPR40	EM240/2.2/4	GP60	15510C	FPC013AC002
HEP310	3	4	4	TYPE300-24	PMV3-L	PPR40	EM415/2.2/4	GP60	15510C	FPC013AC002
HEP310	4	2	1	TYPE300-24	PMV4-L	PPR25	EM110/2.2/4	GP60	15510C	FPC013AC001
HEP310	4	2	2	TYPE300-24	PMV4-L	PPR25	EM240/2.2/4	GP60	15510C	FPC013AC001
HEP310	4	2	4	TYPE300-24	PMV4-L	PPR25	EM415/2.2/4	GP60	15510C	FPC013AC001
HEP310	4	4	1	TYPE300-24	PMV4-L	PPR40	EM110/2.2/4	GP60	15510C	FPC013AC002
HEP310	4	4	2	TYPE300-24	PMV4-L	PPR40	EM240/2.2/4	GP60	15510C	FPC013AC002
HEP310	4	4	4	TYPE300-24	PMV4-L	PPR40	EM415/2.2/4	GP60	15510C	FPC013AC002
HEP310	3	2	1 S	TYPE300-24	PMV3-S	PPR25	EM110/2.2/4T	GP60	15510C	FPC013AC001
HEP310	3	2	2 S	TYPE300-24	PMV3-S	PPR25	EM240/2.2/4T	GP60	15510C	FPC013AC001
HEP310	3	2	4 S	TYPE300-24	PMV3-S	PPR25	EM415/2.2/4T	GP60	15510C	FPC013AC001
HEP310	3	4	1 S	TYPE300-24	PMV3-S	PPR40	EM110/2.2/4T	GP60	15510C	FPC013AC002
HEP310	3	4	2 S	TYPE300-24	PMV3-S	PPR40	EM240/2.2/4T	GP60	15510C	FPC013AC002
HEP310	3	4	4 S	TYPE300-24	PMV3-S	PPR40	EM415/2.2/4T	GP60	15510C	FPC013AC002
HEP310	4	2	1 S	TYPE300-24	PMV4-S	PPR25	EM110/2.2/4T	GP60	15510C	FPC013AC001
HEP310	4	2	2 S	TYPE300-24	PMV4-S	PPR25	EM240/2.2/4T	GP60	15510C	FPC013AC001
HEP310	4	2	4 S	TYPE300-24	PMV4-S	PPR25	EM415/2.2/4T	GP60	15510C	FPC013AC001
HEP310	4	4	1 S	TYPE300-24	PMV4-S	PPR40	EM110/2.2/4T	GP60	15510C	FPC013AC002
HEP310	4	4	2 S	TYPE300-24	PMV4-S	PPR40	EM240/2.2/4T	GP60	15510C	FPC013AC002
HEP310	4	4	4 S	TYPE300-24	PMV4-S	PPR40	EM415/2.2/4T	GP60	15510C	FPC013AC002

NOTE: SEAL KIT FOR HEP3 SERIES PUMP PART NO:
HEP310TP1-K
(THIS INCLUDES SEAL KIT FOR TYPE 300 PUMP).

IMPORTANT

WHEN ORDERING SPARES YOU MUST STATE THE FULL PART NUMBER AND THE
PRODUCT SERIAL NUMBER - FROM THE LABEL
TO PROTECT YOUR WARRANTY ALWAYS USE GENUINE HI-FORCE PARTS.



SHEET 1 OF 2.

IMPORTANT
WHEN ORDERING SPARES YOU MUST STATE THE FULL PART NUMBER AND THE
PRODUCT SERIAL NUMBER - FROM THE LABEL
TO PROTECT YOUR WARRANTY ALWAYS USE GENUINE HI-FORCE PARTS.

ITEM NO.	PART NUMBER	DESCRIPTION	QTY.
1	TAC000BA003	COVER PLATE	1
2	15494A	PISTON BLOCK ASSY.	3
3	15497	UPPER PLATE	1
4	15499	LOWER PLATE	1
5	E15503	CONNECTOR PIPE	1
6	15505	24MM DRIVE SHAFT	1
7	BSC025MC001	LOWER PLATE BEARING	1
8	15507	ADAPTOR	1
9	17587	TRANSFER BLOCK	1
10	17588	VALVE PLATE	1
11	BAC008SN000	8mm BALL	5
12	BLC005HF016	SKT CSK SCREW	2
13	BLC008KF035	SKT CSK SCREW	4
14	BLC006JE016	SKT CSK SCREW	1
15	BLC008KC080	CAP HD SCREW	8
16	BLC008KC060	CAP HD SCREW	2
17	BLC006JC045	CAP HD SCREW	2
18	FAS010MA010	M10 X 10 CUP POINT GRUB SCREW	5
19	HPRV1	HIGH PRESSURE R/VALVE	1
20	LPRV1	LOW PRESSURE R/VALVE	1
21	BPC006RS001	SEALING PLUG	4
22	BSC035NC001	UPPER PLATE BEARING	1
23	BSC040ND001	ECCENTRIC BEARING	1
24	STC040AA001	CIRCLIP TYPE 200/300	2
25	FAS006GJ010	1/4 INCH BLANKING PLUG	1
26	X	DOWTY WASHER	1
27	FFC012MA001	SUCTION FILTER	1
28	STC025AA001	CIRCLIP	1
29	STC047BA001	CIRCLIP	1
30	X	O - RING	2
31	X	O - RING	2
32	X	UPPER PLATE OIL SEAL	1
33	X	BACK UP RING	2
34	WAC006BC001	SPRING WASHER	2

NOTE: PARTS MARKED 'X' SUPPLIED IN KIT HEP310TP1-K ONLY

SHEET 2 OF 2.

IMPORTANT

WHEN ORDERING SPARES YOU MUST STATE THE FULL PART NUMBER AND THE PRODUCT SERIAL NUMBER - FROM THE LABEL TO PROTECT YOUR WARRANTY ALWAYS USE GENUINE HI-FORCE PARTS.