

REVISION

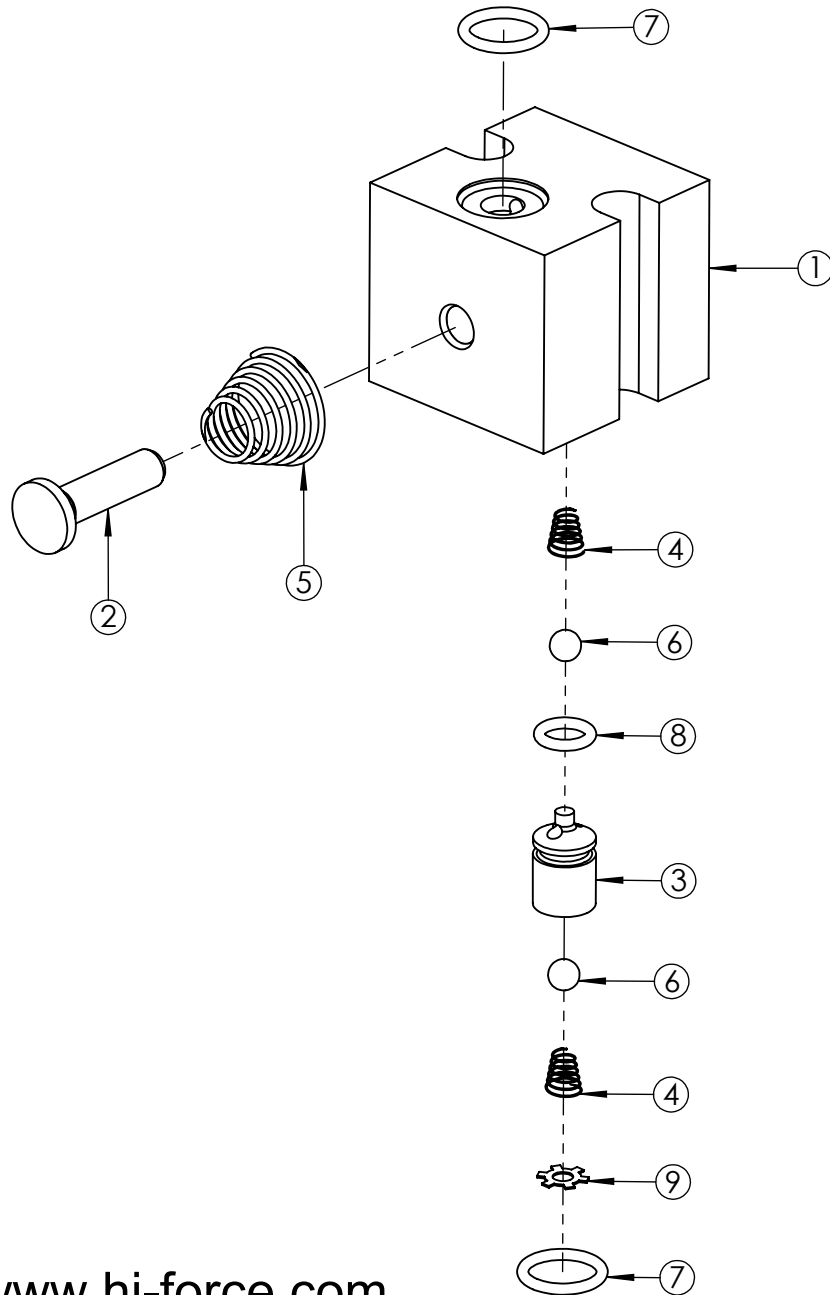
1	5817
2	6154
3	
4	
5	
6	
7	
8	
9	
10	
11	
12	
13	
14	
15	
16	
17	
18	
19	
20	

IMPORTANT

WHEN ORDERING SPARES YOU MUST STATE THE FULL PART NUMBER AND THE PRODUCT SERIAL NUMBER - FROM THE LABEL TO PROTECT YOUR WARRANTY ALWAYS USE GENUINE HI-FORCE PARTS.

ITEM NO.	PART NUMBER	DESCRIPTION	QTY.	SPARE PARTS	SERVICE PARTS	ITEM NO.	PART NUMBER	DESCRIPTION	QTY.	SPARE PARTS	SERVICE PARTS	REVISION
1	TAC025AS006	25L TANK	1			22	AAN000UP001	60 x 30 mm UNIVERSAL NAME PLATE	1	X		1 5817
2	BLC021YT010	SIGHT GLASS HGF.13 BLACK OIL LEVEL INDICATOR	2			23	FAS002HZ001	NO.4 x 3/16 HAMMER DRIVE SCREW	2			2 6154
3	DCSF00328	DOUBLE SIDED MAGNET	1			24	TAC000PA001	160 mm LONG SUCTION PIPE	1			3
4	FPC013PC001	1/2" BSP PLUG - HEX SOCKET	1			25	FPC013AC001	BARREL NIPPLE	1			4
5	NUC021-B000	1/2" BSP LOCK NUT	2			26	FFC045MZ001	FILTER	1			5
6	FFC028PZ001	FILLER/BREATHER	1			27	BLC005HF020	M5 x 20 mm HEX SOCKET COUNTERSUNK SCREW	10			6
7	BPC025KP001	1" SQ RIBBED INSERT BLACK	4			28	15482	TANK GASKET	1		✓	7
8	TAC025CS003	25L ROLL FRAME	1			29	TAC000FS003	MOUNTING PLATE	1			8
9	BLC008KD020	M8 x 20 mm HEX SOCKET CAP HEAD SCREW	4			30	NUC008KC000	M8 NYLOC NUT	4			9
10	WAC008AB000	M8 PLAIN WASHER	8			31	TAC000FS004	HOUSING	1			10
11	WAC008BB000	M8 ZINC PLATED SPRING WASHER	4			32	BLC006JH010	M6 X 10 mm BUTTON HEAD HEX SOCKET SCREW	8			11
12	TYPE300-24	300 SERIES PUMP UNIT	1			33	WAC006AF000	M6 ZINC WASHER	8			12
13	EM415-1.5-4LAF	AMPE 90L BA 4 - 1.5KW 4 POLE MOTOR	1			34	WAC006BC001	M6 SPRING ZINC WASHER (SQUARE SECTION)	4			13
14	SEC001KT003	GASKET	1		✓	35	ANC015PC001	CABLE CLIP BLACK SCREW POLYACETAL CABLE CLIP, 15mm	4			14
15	BLC010LB035	M10 x 35 mm HEX HEAD BOLT, ZINC PLATED	4			36	SEC013EH001	12.7mm ID BLACK PVC OPEN GROMMET	1			15
16	WAC010AB000	M10 ZINC PLATED FLAT WASHER	4			37	SEC013EH002	12.7mm OD BLACK PVC BLIND GROMMET	2			16
17	WAC010BZ000	M10 SPRING WASHER	4			*	SFC065FA002	BLANKING PLATE	1			17
18	NUC020LS002	GLAND 6-12MM	1			<p>NOTE:</p> <ul style="list-style-type: none"> - ALL PARTS ARE AVAILABLE TO BE ORDERED AS SPARE PARTS (UNLESS MARKED WITH x). - ONLY PARTS MARKED WITH ✓ ARE AVAILABLE AS BOTH SPARE PARTS OR SERVICEABLE PARTS, FROM HEP-SK1 PUMP SERVICE KIT. (REFER TO HEP-SK1: PUMP SERVICE KIT EVD FOR FULL PARTS LIST) - FOR SUB ASSEMBLIES (ITEM NO.S 12, 19, 20 & 21) REFER TO THEIR INDIVIDUAL EVD'S. 						18
19	EMA415UC001	MOTOR STARTER ASSEMBLY	1									19
20	PMV2	2 WAY, MANUALLY OPERATED PUMP MOUNTED DIRECTIONAL CONTROL VALVE	1									20
21	PGP063AK001	HEP & HAP PRESSURE GAUGE ASSEMBLY	1									21

IMPORTANT
WHEN ORDERING SPARES YOU MUST STATE THE FULL PART NUMBER AND THE PRODUCT SERIAL NUMBER - FROM THE LABEL TO PROTECT YOUR WARRANTY ALWAYS USE GENUINE HI-FORCE PARTS.



ITEM NO.	PART NUMBER	DESCRIPTION	QTY.	SPARE PARTS	SERVICE PARTS	REVISION
1	15494	PISTON BLOCK	1	X		1 5717
2	15495	PISTON	1	X		2 5866
3	15496	VALVE SEAT	1	X		3
4	15509	SUCTION/DELIVERY SPRING	2	X		4
5	15508	PUMP SPRING	1	X		5
6	BAC005SN000	Ø5 mm STEEL BALL GRADE 100	2	X		6
7	SEC014RF001	O-RING - I.D. 10.82 mm, C.S. 1.78 mm, NITRILE 90	2		✓	7
8	SEC010RA001	O-RING - I.D. 6.35 mm, C.S. 1.78 mm, NITRILE 70	1	X		8
9	STC008SA001	N1305-0031 SELF LOCKING RING	1	X		9
						10
						11
						12
						13
						14
						15
						16
						17
						18
						19
						20

NOTE:

- ALL PARTS ARE AVAILABLE TO BE ORDERED AS SPARE PARTS (UNLESS MARKED WITH X).

- ONLY PARTS MARKED WITH ✓ ARE AVAILABLE AS BOTH SPARE PARTS OR SERVICEABLE PARTS, FROM **HEP-SK1 PUMP SERVICE KIT**. (REFER TO HEP-SK1: PUMP SERVICE KIT EVD FOR FULL PARTS LIST).

IMPORTANT

WHEN ORDERING SPARES YOU MUST STATE THE FULL PART NUMBER AND THE PRODUCT SERIAL NUMBER - FROM THE LABEL TO PROTECT YOUR WARRANTY ALWAYS USE GENUINE HI-FORCE PARTS.



ITEM NO.	PART NUMBER	DESCRIPTION	QTY.	SPARE PARTS	SERVICE PARTS	REVISION
1	GP60	GEAR PUMP	1			1 5939
2	PMC000TM001	TRANSFER PLATE	1			2
3	15510C	CONNECTOR TUBE	1			3
4	SEC010RA001	O-RING - I.D. 6.35 mm, C.S. 1.78 mm, NITRILE 70	2		✓	4
5	SEC019RF002	O-RING - I.D. 15.60, C.S. 1.78mm, NITRILE 90	2		✓	5
6	PMC000XM001	SEALING PLATE	1			6
7	BLC006JD030	M6 x 30 mm HEX SOCKET CAP HEAD SCREW	3			7
8	15507	ADAPTOR	1			8
9	PCC002WC001	KEY TO FIT 200/300 PUMPS	1			9
10	FAS008SP080	M8 X 80 HEX SOCKET REDUCED CAP HEAD SCREW (FULLY THREADED)	2			10
11	FPA013DC001	GEAR PUMP ELBOW (INC WITH GEAR PUMP)	1	x		11

NOTE:

- ALL PARTS ARE AVAILABLE TO BE ORDERED AS SPARE PARTS (UNLESS MARKED WITH X)
- ONLY PARTS MARKED WITH ✓ ARE AVAILABLE AS BOTH SPARE PARTS OR SERVICEABLE PARTS, FROM HEP-SK1 PUMP SERVICE KIT. (REFER TO HEP-SK1: PUMP SERVICE KIT EVD FOR FULL PARTS LIST)
- THE ORIENTATION OF ITEM NO. 2 (PMC000TM001) IS DETERMINED BY THE BRAND OF THE GP60 GEAR PUMP SUPPLIED (REFER TO SHEET 2 FOR FURTHER DETAILS)
- ITEM NO. 10 (FAS008SP080) ARE TO REPLACE TWO SCREWS (BLC008KC080) ON THE TYPE300-24, PRIOR TO FITTING PMA060GZ001 (REFER TO SHEET 3 FOR FURTHER DETAILS)
- INDIVIDUAL ITEMS ARE NOT AVAILABLE AS SPARE PARTS FOR HEP PUMPS WITH SERIAL NUMBERS EARLIER THAN **BR9070**. GP60 GEAR PUMP ASSEMBLY (PMA060GZ001) WILL NEED TO BE ORDERED. INDIVIDUAL ITEMS APART FROM ITEM NO. 11 ARE AVAILABLE AS SPARE PARTS FOR HEP PUMPS WITH SERIAL NUMBERS ABOVE **BR9070**

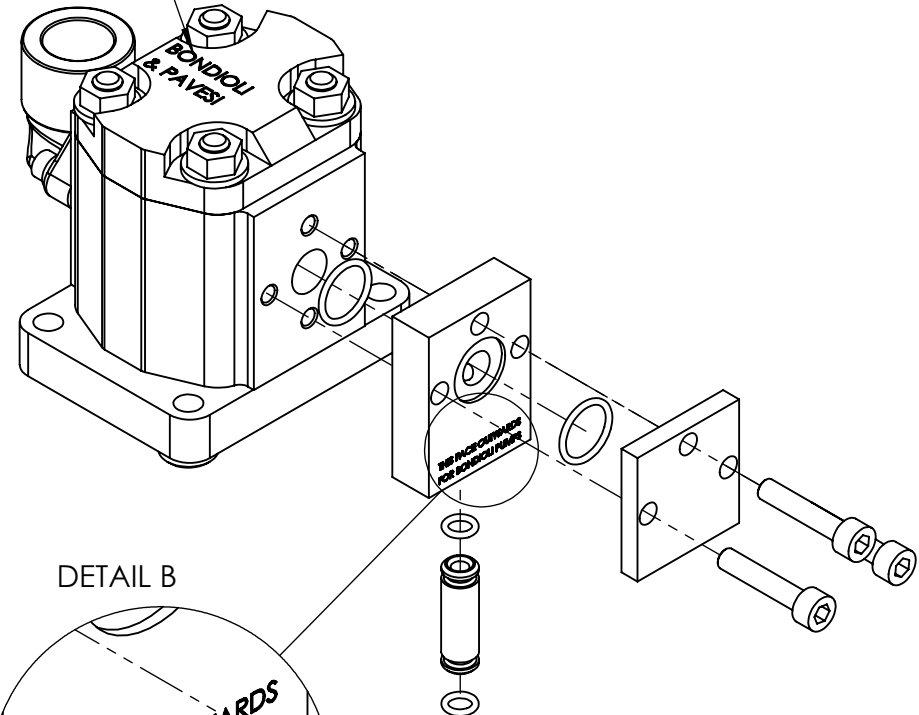
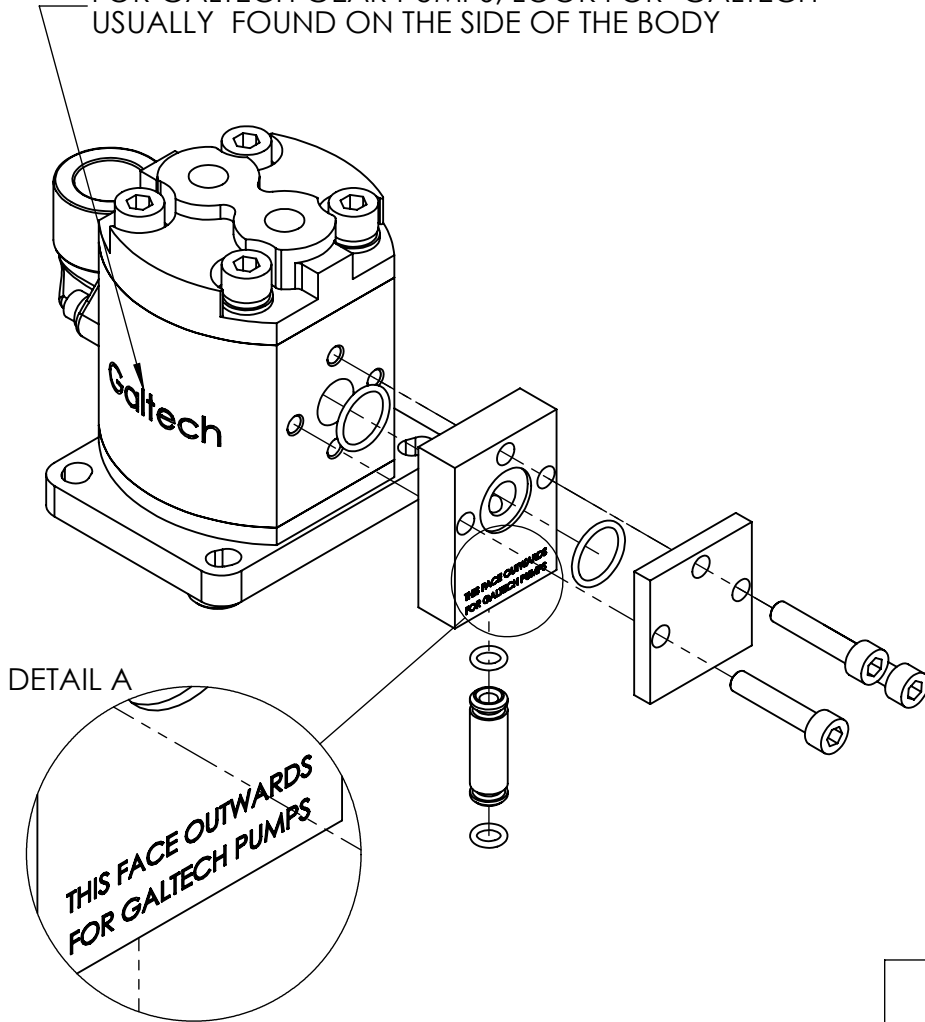
IMPORTANT

WHEN ORDERING SPARES YOU MUST STATE THE FULL PART NUMBER AND THE PRODUCT SERIAL NUMBER - FROM THE LABEL TO PROTECT YOUR WARRANTY ALWAYS USE GENUINE HI-FORCE PARTS.

ORIENTATION OF TRANSFER PLATE

FOR GALTECH GEAR PUMPS, LOOK FOR "GALTECH" USUALLY FOUND ON THE SIDE OF THE BODY

FOR BONDIOLI GEAR PUMPS, LOOK FOR "BONDIOLI & PAVESI" USUALLY FOUND ON THE BOTTOM OF THE BODY



REVISION

1	5939
2	
3	
4	
5	
6	
7	
8	
9	
10	
11	
12	
13	
14	
15	
16	
17	
18	
19	
20	

IMPORTANT
WHEN ORDERING SPARES YOU MUST STATE THE FULL PART NUMBER AND THE PRODUCT SERIAL NUMBER - FROM THE LABEL TO PROTECT YOUR WARRANTY ALWAYS USE GENUINE HI-FORCE PARTS.

REVISION

1	5939
2	
3	
4	
5	
6	
7	
8	
9	
10	
11	
12	
13	
14	
15	
16	
17	
18	
19	
20	

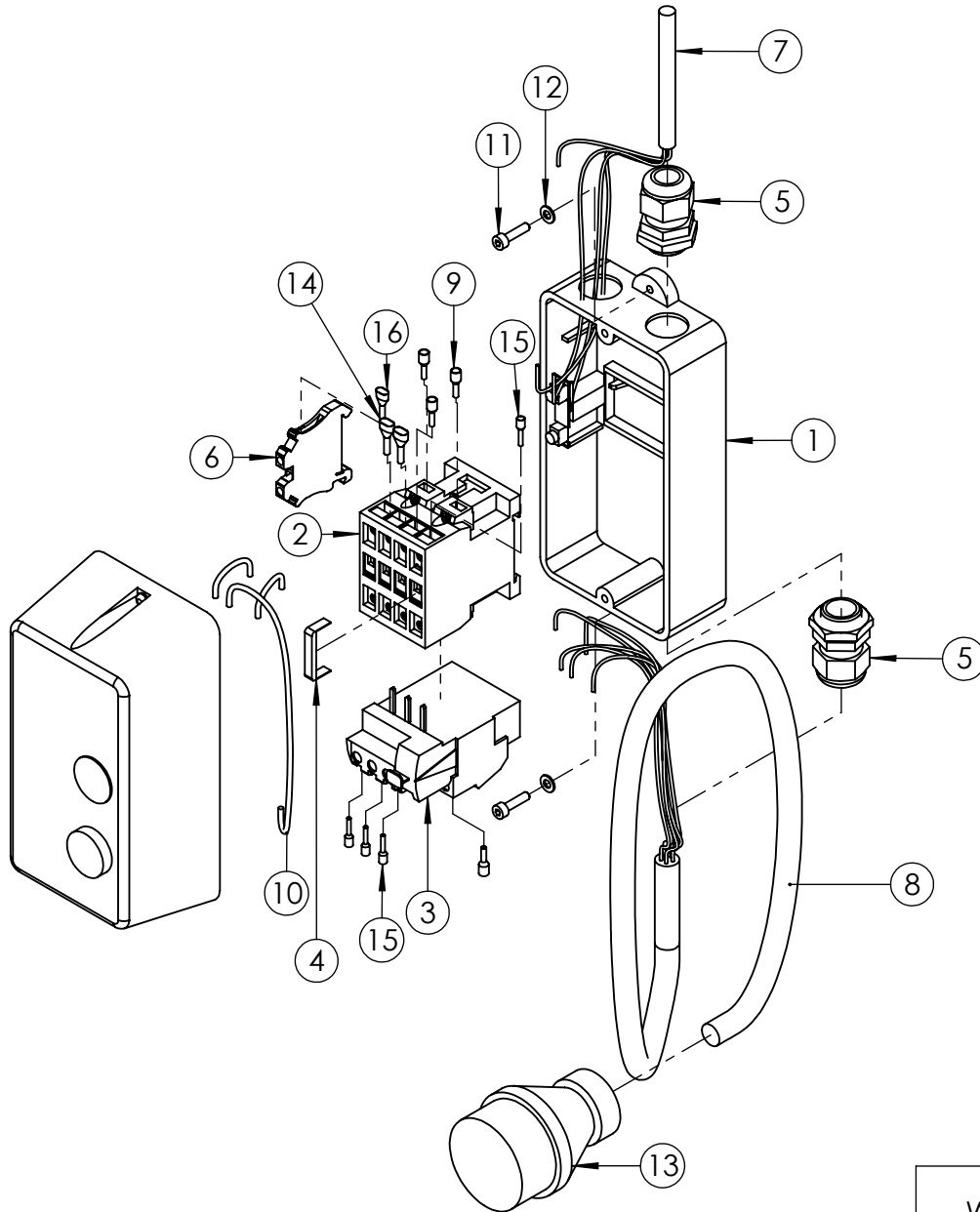
TYPE300-24: BOTTOM VIEW



REMOVE THE TWO CURRENT SCREWS FROM THESE TWO POSITIONS AND REPLACE WITH ITEM NO. 10 (FAS008SP080)

IMPORTANT

WHEN ORDERING SPARES YOU MUST STATE THE FULL PART NUMBER AND THE PRODUCT SERIAL NUMBER - FROM THE LABEL TO PROTECT YOUR WARRANTY ALWAYS USE GENUINE HI-FORCE PARTS.



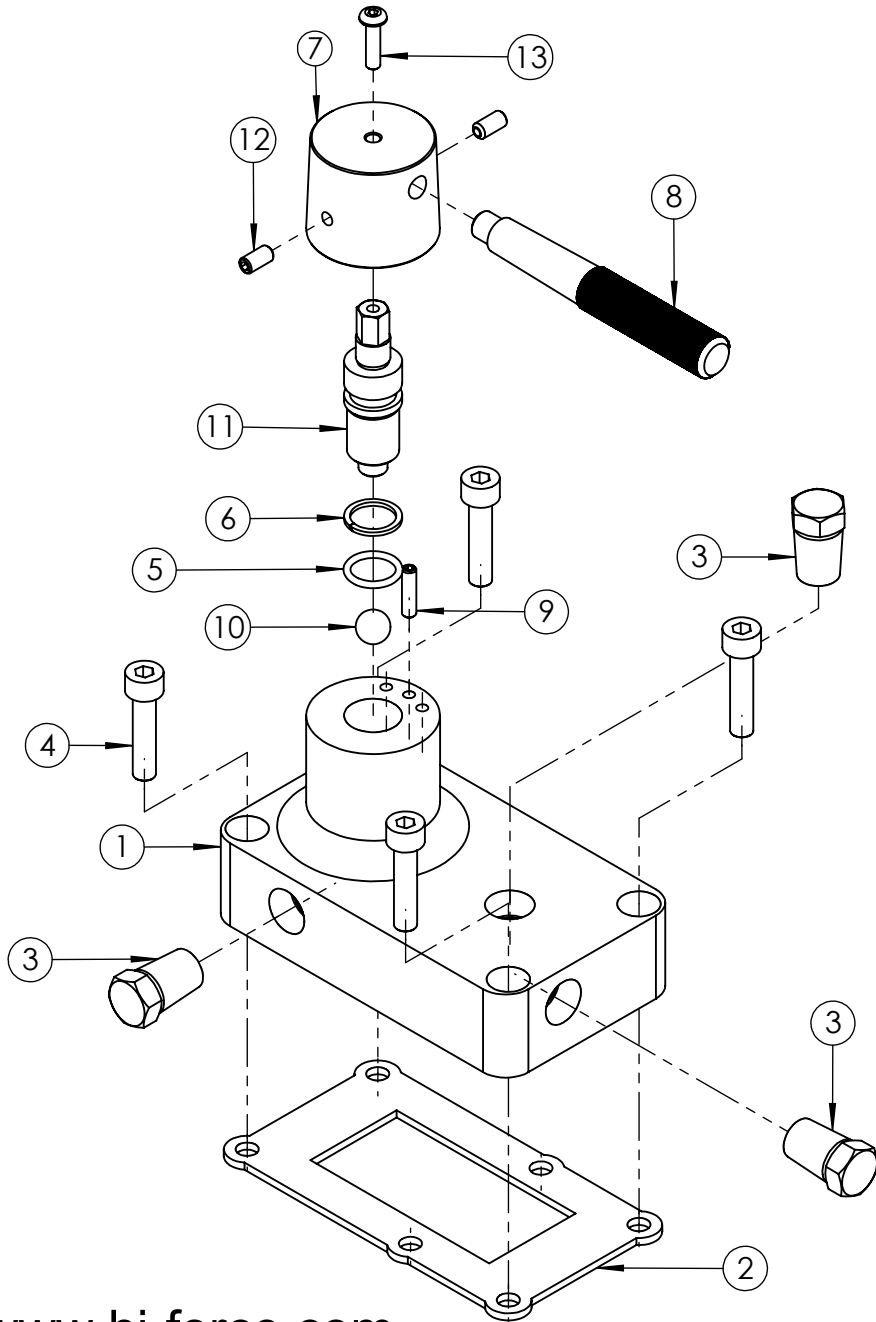
ITEM NO.	PART NUMBER	DESCRIPTION	QTY.	SPARE PARTS	REVISION
1	EMC000EF001	ENCLOSURE WITH PUSH BUTTONS P1MT	1		1 5717
2	EMC415KE001	CONTACTOR 415 V	1		2
3	EMC415RC001	OVERLOAD RELAY 2.7-4.0 AMPS	1		3
4	EMC110XF001	BRIDGING BAR	1		4
5	NUC020LS002	GLAND 6-12MM	2		5
6	EMC000NZ001	TERMINAL BLOCK	1		6
7	CEC150DC000	4 CORE CABLE 1.5 mm ² H07RN-F 4G1.5	1		7
8	CEC150EC001	5 CORE CABLE 1.5 mm ² H07RN-F 5G1.5	1		8
9	CEC250SX001	BOOTLACE FERRULE (INSULATED) 2.5mm GREY	4		9
10	CEC250AC000	SINGLE CORE TRI-RATED CABLE 2.5mm ² BLACK H05V2-K / H07V2-K	1		10
11	BLC004JD016	M4 x 16 mm HEX SOCKET CAP HEAD SCREW	2		11
12	WAC004YB000	M4 WASHER ST	2		12
13	MCC415EP002	415V, 32A ELECTRICAL PLUG	1		13
14	CEC250SX002	TWIN BOOTLACE FERRULE 2.5 mm ²	2		14
15	CEC150SX001	BOOTLACE FERRULE (INSULATED) 1.5mm	4		15
16	CEC150SX002	TWIN BOOTLACE FERRULE 1.5 mm ²	1		16

NOTE:

- ALL PARTS ARE AVAILABLE TO BE ORDERED AS SPARE PARTS (UNLESS MARKED WITH **X**).

IMPORTANT

WHEN ORDERING SPARES YOU MUST STATE THE FULL PART NUMBER AND THE PRODUCT SERIAL NUMBER - FROM THE LABEL TO PROTECT YOUR WARRANTY ALWAYS USE GENUINE HI-FORCE PARTS.



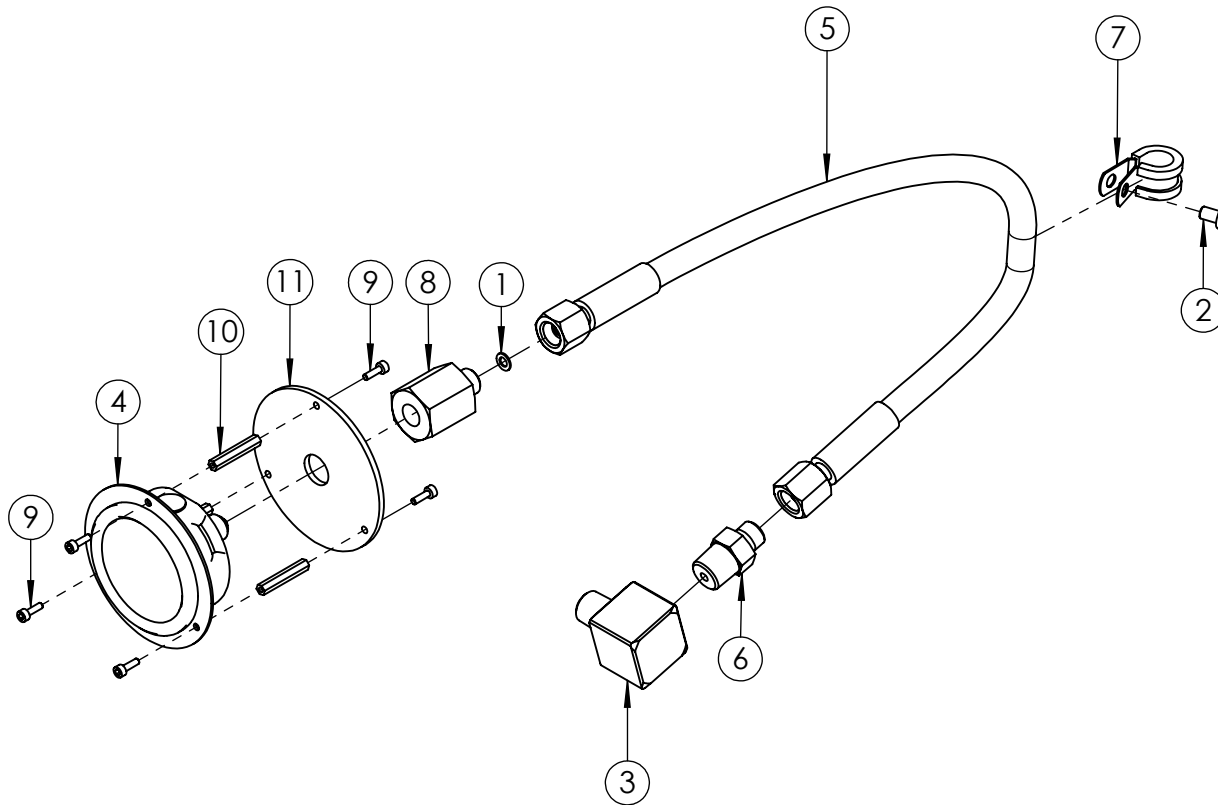
ITEM NO.	PART NUMBER	DESCRIPTION	QTY.	SPARE PARTS	REVISION
1	VFC010BF014	VALVE MOUNTING BLOCK	1	X	1 5717
2	SEC003KT001	VALVE GASKET	1		2
3	FPC010PN001	3/8 NPT BLANKING PLUG	3		3
4	BLC008KD035	M8 x 35 mm HEX SOCKET CAP HEAD SCREW	4		4
5	SEC020RA001	O-RING - I.D. 15.60 mm, C.S. 2.4 mm, NITRILE 70	1		5
6	SEC020BA001	BACK UP RING	1		6
7	HLC046BM001	HANDLE BASE	1	X	7
8	HLC010BM002	PMV2 - HANDLE	1	X	8
9	FAS005MB001	M5 x 20 mm HEX SOCKET CUP PT SCREW	1		9
10	BAC012SN001	12mm STEEL BALL	1		10
11	VFC010DR002	SPINDLE	1	X	11
12	FAS006MB012	M6 x 12 mm HEX SOCKET CUP PT SCREW	2		12
13	BLC005HH020	M5 x 20 mm HEX SOCKET BUTTON HEAD SCREW	1		13
					14
					15
					16
					17
					18
					19
					20

NOTE:

- ALL PARTS ARE AVAILABLE TO BE ORDERED AS SPARE PARTS (UNLESS MARKED WITH X).

IMPORTANT

WHEN ORDERING SPARES YOU MUST STATE THE FULL PART NUMBER AND THE PRODUCT SERIAL NUMBER - FROM THE LABEL TO PROTECT YOUR WARRANTY ALWAYS USE GENUINE HI-FORCE PARTS.



ITEM NO.	PART NUMBER	DESCRIPTION	QTY.	SPARE PARTS	REVISION
1	WAC005EC001	M5 X 9 X 1.0 COPPER SEALING WASHER	1		1 5717
2	BLC006JH010	M6 X 10 mm, HEX SOCKET, BUTTON HEAD SCREW	1		2
3	HF16	ELBOW, 3/8" NPT FEMALE TO 3/8" NPT MALE	1		3
4	PGB063PF001	FLANGE MOUNTED 700 Bar PRESSURE GAUGE	1		4
5	HOC006GB001	700 Bar GAUGE HOSE WITH 1/4" BSP CONE FEMALE FITTINGS	1		5
6	FPC010BN008	M/M ADAPTOR 3/8 NPT x 1/4 BSP INT 60° CONE 1000 Bar (STAINLESS STEEL)	1		6
7	ANC013PC001	13mm BLACK STAINLESS STEEL P CLIP	1		7
8	FPC006BB002	700 Bar SS 1/4" BSPP x BSPP FIXED FEMALE GAUGE ADAPTOR	1		8
9	BLC003ZD010	M3 X 10 mm HEX SOCKET CAP HEAD SCREW	6		9
10	NUC003UK001	M3 FEMALE STEEL HEX STANDOFF 30mm LONG	3		10
11	SFC085HA001	STRAIN RELIEF PLATE	1		11

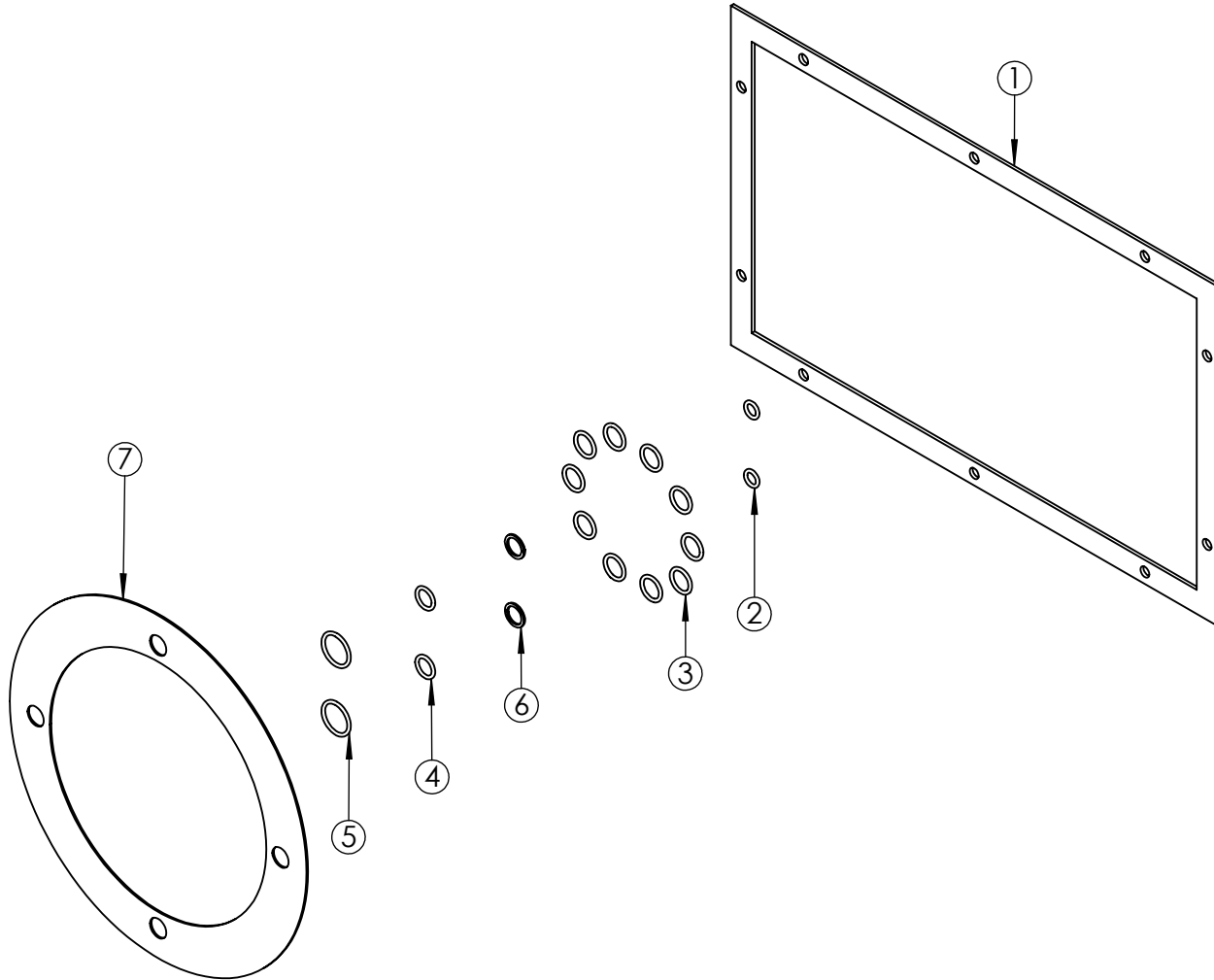
NOTE:

- ALL PARTS ARE AVAILABLE TO BE ORDERED AS SPARE PARTS (UNLESS MARKED WITH X).

IMPORTANT

WHEN ORDERING SPARES YOU MUST STATE THE FULL PART NUMBER AND THE PRODUCT SERIAL NUMBER - FROM THE LABEL TO PROTECT YOUR WARRANTY ALWAYS USE GENUINE HI-FORCE PARTS.

ITEM NO.	PART NUMBER	DESCRIPTION	QTY.	REVISION
1	15482	TANK GASKET	1	1 5717
2	SEC010RA001	O-RING - I.D. 6.35 mm, C.S. 1.78 mm, NITRILE 70	2	2 5939
3	SEC014RF001	O-RING - I.D. 10.82 mm, C.S. 1.78 mm, NITRILE 90	10	3
4	SEC013RA001	O-RING - I.D. 9.25mm, C.S. 1.78mm, NITRILE 90	2	4
5	SEC019RF002	O-RING - I.D. 15.60, C.S. 1.78mm, NITRILE 90	2	5
6	SEC013BA001	BACK-UP RING - PTFE, SOLID SPLIT	2	6
7	SEC001KT003	GASKET	1	7
				8
				9
				10
				11
				12
				13
				14
				15
				16
				17
				18
				19
				20



IMPORTANT
WHEN ORDERING SPARES YOU MUST STATE THE FULL PART NUMBER AND THE PRODUCT SERIAL NUMBER - FROM THE LABEL TO PROTECT YOUR WARRANTY ALWAYS USE GENUINE HI-FORCE PARTS.