

HEP4 | ELECTRIC DRIVEN PUMPS - GENERAL DUTY HIGH FLOW

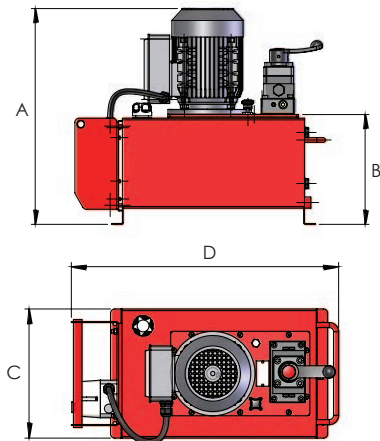


Working pressure 10000 psi

Two stage operation

Choice of 10.56 or 15.84 gallon oil reservoir

- ▶ Choice of 110, 230 or 400/460 volt electric motors available as standard
- ▶ Choice of 2, 3 or 4-way manual control valves with load holding feature on 3 & 4-way versions
- ▶ Externally adjustable pressure relief for pressure settings up to 10000 psi
- ▶ Completely enclosed fan cooled low noise electric motors



Model number	Valve type	Oil capacity (gallons)	Maximum flow rate (in ³ /min)		Motor voltage	Model number (60 Hz motor)	Weight (lbs)	Dimensions (in)			
			1 st stage	2 nd stage				A	B	C	D
HEP410141	P-T Plate	10.56	549.21	61.02	110V 50 Hz-1Ph	HEP410141H	195.1	27.3	15.21	12.06	24.94
HEP410142	P-T Plate	10.56	549.21	61.02	230V 50 Hz-1Ph	HEP410142H	195.1	27.3	15.21	12.06	24.94
HEP410144	P-T Plate	10.56	549.21	61.02	400V 50 Hz/460V 60 Hz-3Ph	-	195.1	27.3	15.21	12.06	24.94
HEP410161	P-T Plate	15.84	549.21	61.02	110V 50 Hz-1Ph	HEP410161H	264.6	28.09	16.04	16	25.85
HEP410162	P-T Plate	15.84	549.21	61.02	230V 50 Hz-1Ph	HEP410162H	264.6	28.09	16.04	16	25.85
HEP410164	P-T Plate	15.84	549.21	61.02	400V 50 Hz/460V 60 Hz-3Ph	-	264.6	28.09	16.04	16	25.85
HEP410241	2-way	10.56	549.21	61.02	110V 50 Hz-1Ph	HEP410241H	196.2	27.3	15.21	12.06	24.94
HEP410242	2-way	10.56	549.21	61.02	230V 50 Hz-1Ph	HEP410242H	196.2	27.3	15.21	12.06	24.94
HEP410244	2-way	10.56	549.21	61.02	400V 50 Hz/460V 60 Hz-3Ph	-	196.2	27.3	15.21	12.06	24.94
HEP410261	2-way	15.84	549.21	61.02	110V 50 Hz-1Ph	HEP410261H	265.7	28.09	16.04	16	25.85
HEP410262	2-way	15.84	549.21	61.02	230V 50 Hz-1Ph	HEP410262H	265.7	28.09	16.04	16	25.85
HEP410264	2-way	15.84	549.21	61.02	400V 50 Hz/460V 60 Hz-3Ph	-	265.7	28.09	16.04	16	25.85
HEP410341	3-way	10.56	549.21	61.02	110V 50 Hz-1Ph	HEP410341H	196.2	27.3	15.21	12.06	24.94
HEP410342	3-way	10.56	549.21	61.02	230V 50 Hz-1Ph	HEP410342H	196.2	27.3	15.21	12.06	24.94
HEP410344	3-way	10.56	549.21	61.02	400V 50 Hz/460V 60 Hz-3Ph	-	196.2	27.3	15.21	12.06	24.94
HEP410361	3-way	15.84	549.21	61.02	110V 50 Hz-1Ph	HEP410361H	265.7	28.09	16.04	16	25.85
HEP410362	3-way	15.84	549.21	61.02	230V 50 Hz-1Ph	HEP410362H	265.7	28.09	16.04	16	25.85
HEP410364	3-way	15.84	549.21	61.02	400V 50 Hz/460V 60 Hz-3Ph	-	265.7	28.09	16.04	16	25.85
HEP410441	4-way	10.56	549.21	61.02	110V 50 Hz-1Ph	HEP410441H	196.2	27.3	15.21	12.06	24.94
HEP410442	4-way	10.56	549.21	61.02	230V 50 Hz-1Ph	HEP410442H	196.2	27.3	15.21	12.06	24.94
HEP410444	4-way	10.56	549.21	61.02	400V 50 Hz/460V 60 Hz-3Ph	-	196.2	27.3	15.21	12.06	24.94
HEP410461	4-way	15.84	549.21	61.02	110V 50 Hz-1Ph	HEP410461H	265.7	28.09	16.04	16	25.85
HEP410462	4-way	15.84	549.21	61.02	230V 50 Hz-1Ph	HEP410462H	265.7	28.09	16.04	16	25.85
HEP410464	4-way	15.84	549.21	61.02	400V 50 Hz/460V 60 Hz-3Ph	-	265.7	28.09	16.04	16	25.85

- Note:*
- 1) All 400/460V models are suitable for operation at 50 Hz and 60 Hz.
 - 2) All 110V and 260V models are supplied to run at 50 Hz as standard, refer to the table for pumps with 60 Hz motor. 60 Hz models deliver approximately 15-20% higher flow rate.
 - 3) To order pumps with low voltage solenoid valve with hand pendant controller, suffix 'S' to the pump model.

WHEEL TROLLEY

Model number	Description
PPA40WT	Wheel trolley for all pumps with 10.56 gallons oil reservoir
PPA60WT	Wheel trolley for all pumps with 15.84 gallons oil reservoir

All HEP4 pumps can be supplied with a factory fitted wheel trolley. Please suffix 'WT' to the pump model number.

