

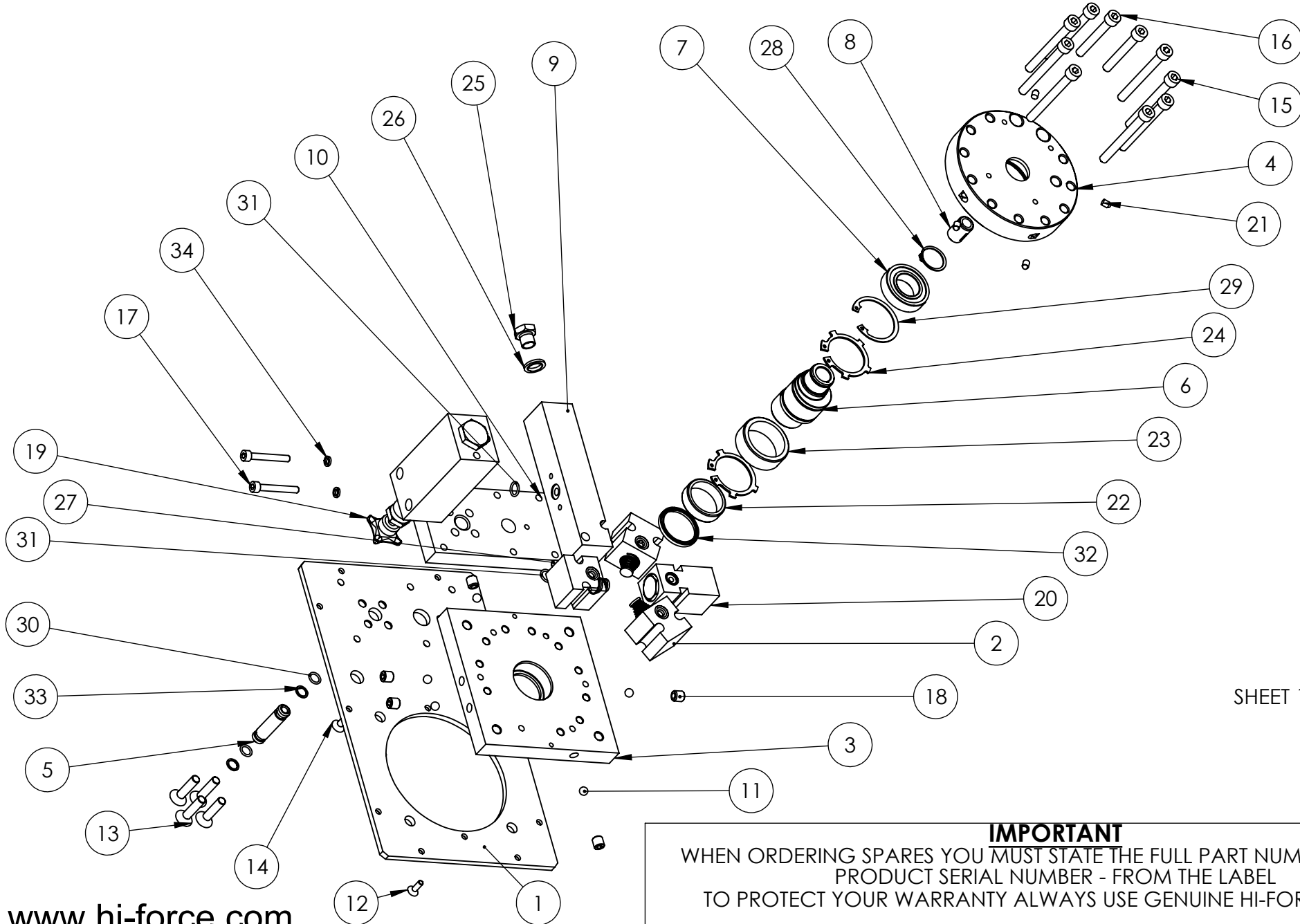
IMPORTANT
WHEN ORDERING SPARES YOU MUST STATE THE FULL PART NUMBER AND THE
PRODUCT SERIAL NUMBER - FROM THE LABEL
TO PROTECT YOUR WARRANTY ALWAYS USE GENUINE HI-FORCE PARTS.

MODEL				PUMP	VALVE	TANK	MOTOR	GEAR PUMP	CONNECTOR	FEED PIPE
HEP517	1	4	2	TYPE300-24	PM1	PPR40	EM240/2.2/2	GP60	15510C	FPC013AC002
HEP517	1	4	4	TYPE300-24	PM1	PPR40	EM415/2.2/2	GP60	15510C	FPC013AC002
HEP517	1	6	2	TYPE300-24	PM1	PPR60	EM240/2.2/2	GP60	15510C	FPC013AC002
HEP517	1	6	4	TYPE300-24	PM1	PPR60	EM415/2.2/2	GP60	15510C	FPC013AC002
HEP517	2	4	2	TYPE300-24	PMV2	PPR40	EM240/2.2/2	GP60	15510C	FPC013AC002
HEP517	2	4	4	TYPE300-24	PMV2	PPR40	EM415/2.2/2	GP60	15510C	FPC013AC002
HEP517	2	6	2	TYPE300-24	PMV2	PPR60	EM240/2.2/2	GP60	15510C	FPC013AC002
HEP517	2	6	4	TYPE300-24	PMV2	PPR60	EM415/2.2/2	GP60	15510C	FPC013AC002
HEP517	3	4	2	TYPE300-24	PMV3-L	PPR40	EM240/2.2/2	GP60	15510C	FPC013AC002
HEP517	3	4	4	TYPE300-24	PMV3-L	PPR40	EM415/2.2/2	GP60	15510C	FPC013AC002
HEP517	3	6	2	TYPE300-24	PMV3-L	PPR60	EM240/2.2/2	GP60	15510C	FPC013AC002
HEP517	3	6	4	TYPE300-24	PMV3-L	PPR60	EM415/2.2/2	GP60	15510C	FPC013AC002
HEP517	4	4	2	TYPE300-24	PMV4-L	PPR40	EM240/2.2/2	GP60	15510C	FPC013AC002
HEP517	4	4	4	TYPE300-24	PMV4-L	PPR40	EM415/2.2/2	GP60	15510C	FPC013AC002
HEP517	4	6	2	TYPE300-24	PMV4-L	PPR60	EM240/2.2/2	GP60	15510C	FPC013AC002
HEP517	4	6	4	TYPE300-24	PMV4-L	PPR60	EM415/2.2/2	GP60	15510C	FPC013AC002
HEP517	3	4	2 S	TYPE300-24	PMV3-S	PPR40	EM240/2.2/2T	GP60	15510C	FPC013AC002
HEP517	3	4	4 S	TYPE300-24	PMV3-S	PPR40	EM415/2.2/2T	GP60	15510C	FPC013AC002
HEP517	3	6	2 S	TYPE300-24	PMV3-S	PPR60	EM240/2.2/2T	GP60	15510C	FPC013AC002
HEP517	3	6	4 S	TYPE300-24	PMV3-S	PPR60	EM415/2.2/2T	GP60	15510C	FPC013AC002
HEP517	4	4	2 S	TYPE300-24	PMV4-S	PPR40	EM240/2.2/2T	GP60	15510C	FPC013AC002
HEP517	4	4	4 S	TYPE300-24	PMV4-S	PPR40	EM415/2.2/2T	GP60	15510C	FPC013AC002
HEP517	4	6	2 S	TYPE300-24	PMV4-S	PPR60	EM240/2.2/2T	GP60	15510C	FPC013AC002
HEP517	4	6	4 S	TYPE300-24	PMV4-S	PPR60	EM415/2.2/2T	GP60	15510C	FPC013AC002

NOTE: SEAL KIT FOR HEP5 SERIES PUMP PART NO:
HEP310TP1-K.
(THIS INCLUDES SEAL KIT FOR TYPE 300 PUMP).

IMPORTANT

WHEN ORDERING SPARES YOU MUST STATE THE FULL PART NUMBER AND THE
PRODUCT SERIAL NUMBER - FROM THE LABEL
TO PROTECT YOUR WARRANTY ALWAYS USE GENUINE HI-FORCE PARTS.



SHEET 1 OF 2.

IMPORTANT

WHEN ORDERING SPARES YOU MUST STATE THE FULL PART NUMBER AND THE PRODUCT SERIAL NUMBER - FROM THE LABEL TO PROTECT YOUR WARRANTY ALWAYS USE GENUINE HI-FORCE PARTS.

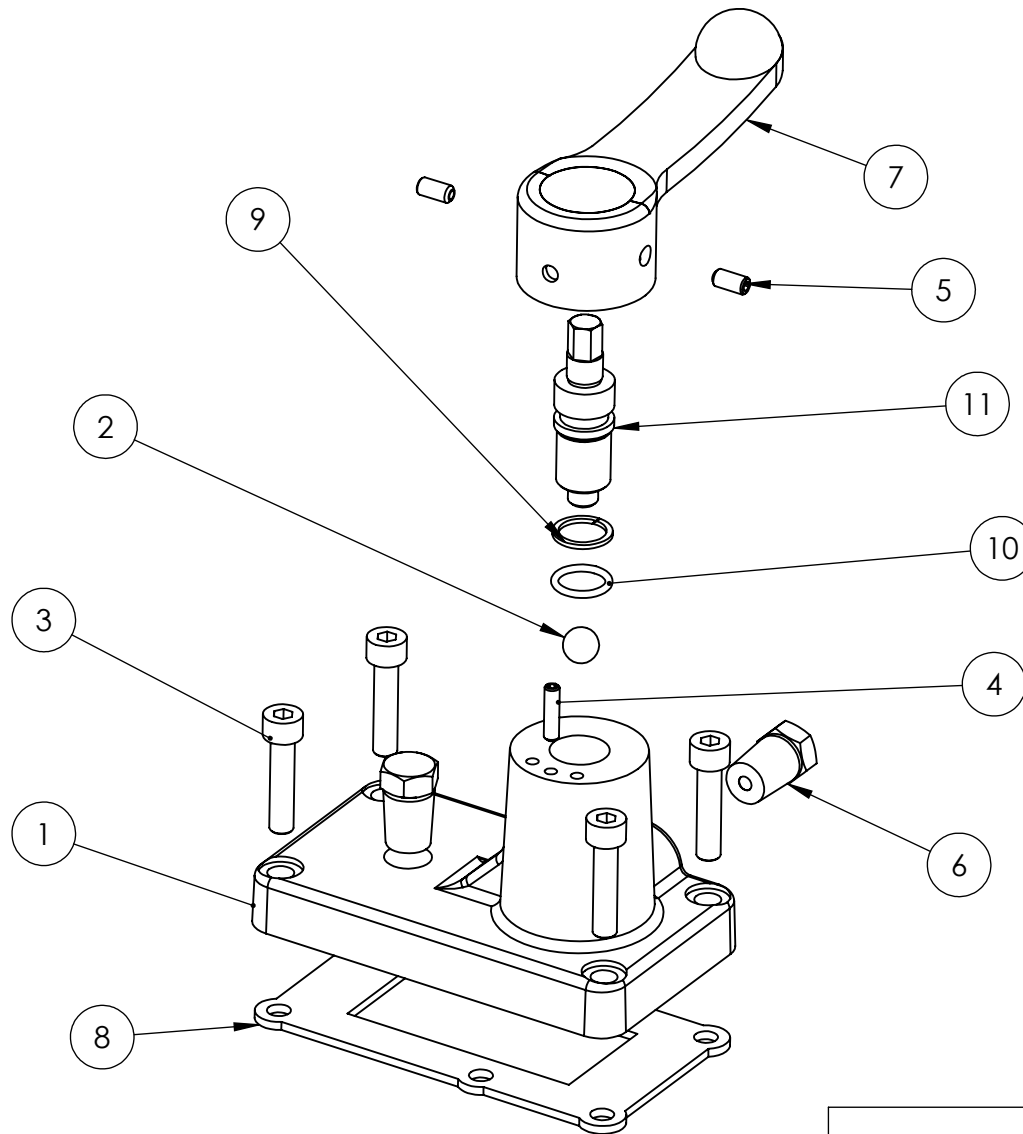
ITEM NO.	PART NUMBER	DESCRIPTION	QTY.
1	TAC000BA003	COVER PLATE	1
2	15494A	PISTON BLOCK ASSY.	3
3	15497	UPPER PLATE	1
4	15499	LOWER PLATE	1
5	E15503	CONNECTOR PIPE	1
6	15505	24MM DRIVE SHAFT	1
7	BSC025MC001	LOWER PLATE BEARING	1
8	15507	ADAPTOR	1
9	17587	TRANSFER BLOCK	1
10	17588	VALVE PLATE	1
11	BAC008SN000	8mm BALL	5
12	BLC005HF016	SKT CSK SCREW	2
13	BLC008KF035	SKT CSK SCREW	4
14	BLC006JE016	SKT CSK SCREW	1
15	BLC008KC080	CAP HD SCREW	8
16	BLC008KC060	CAP HD SCREW	2
17	BLC006JC045	CAP HD SCREW	2
18	FAS010MA010	M10 X 10 CUP POINT GRUB SCREW	5
19	HPRV1	HIGH PRESSURE R/VALVE	1
20	LPRV1	LOW PRESSURE R/VALVE	1
21	BPC006RS001	SEALING PLUG	4
22	BSC035NC001	UPPER PLATE BEARING	1
23	BSC040ND001	ECCENTRIC BEARING	1
24	STC040AA001	CIRCLIP TYPE 200/300	2
25	FAS006GJ010	1/4 INCH BLANKING PLUG	1
26	X	DOWTY WASHER	1
27	FFC012MA001	SUCTION FILTER	1
28	STC025AA001	CIRCLIP	1
29	STC047BA001	CIRCLIP	1
30	X	O - RING	2
31	X	O - RING	2
32	X	UPPER PLATE OIL SEAL	1
33	X	BACK UP RING	2
34	WAC006BC001	SPRING WASHER	2

NOTE: PARTS MARKED 'X' SUPPLIED IN KIT HEP310TP1-K ONLY

SHEET 2 OF 2.

IMPORTANT

WHEN ORDERING SPARES YOU MUST STATE THE FULL PART NUMBER AND THE PRODUCT SERIAL NUMBER - FROM THE LABEL TO PROTECT YOUR WARRANTY ALWAYS USE GENUINE HI-FORCE PARTS.



ITEM NO.	PART NUMBER	DESCRIPTION	QTY.
1	VFC010BB001	PMV2 BASE	1
2	X	12mm BALL	1
3	BLC008KD035	CAP HD SCREW	4
4	FAS005MB001	CUP PT SCREW	1
5	FAS006MB012	CUP PT SCREW	2
6	FPC010PN001	3/8 NPT BLANKING PLUG	2
7	HLC012LP002	HANDLE	1
8	X	GASKET	1
9	X	BACK UP RING	1
10	X	O - RING	1
11	VFC010DR001	SPINDLE	1

ALL PARTS MARKED 'X' SUPPLIED IN KIT PMV2P1-K ONLY.

IMPORTANT

WHEN ORDERING SPARES YOU MUST STATE THE FULL PART NUMBER AND THE PRODUCT SERIAL NUMBER - FROM THE LABEL TO PROTECT YOUR WARRANTY ALWAYS USE GENUINE HI-FORCE PARTS.