

**HFG | SINGLE ACTING FAILSAFE LOCK RING CYLINDERS**

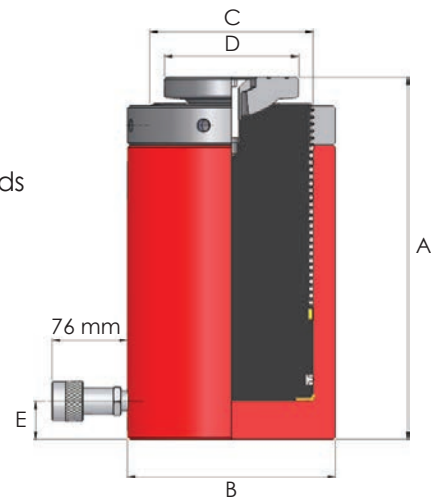


Capacities from 50 to 1012 tonnes

Stroke lengths from 50 to 152 mm

Working pressure 700 bar

- ▶ Single acting, load return
- ▶ Mechanical lock ring feature allows for load holding for extended periods
- ▶ Suitable for vertical lifting applications only
- ▶ Threaded piston with tilting saddle fitted as standard to reduce the risk of side loading
- ▶ Nitrocarburised cylinder body and piston rod for increased corrosion protection
- ▶ Low friction bearing surfaces
- ▶ Anti-extrusion seals for improved performance at high pressures
- ▶ Overstroke restrictor port to prevent over extension of piston
- ▶ Tommy bars for easy rotation of the load holding lock ring are listed in the below table
- ▶ Saddle and piston rod details are listed on pages 24 and 25



Model number	Capacity (tonnes)	Stroke (mm)	Oil capacity (litres)	Cylinder eff. area (cm <sup>2</sup> )	Weight (kg)	Tommy bar	Dimensions (mm)				
							A	B	C	D	E
HFG502	50	51	0.36	71.3	16.2	TTB10	173	127	95	70	25
HFG504	50	102	0.73	71.3	20.6	TTB10	224	127	95	70	25
HFG506	50	150	1.07	71.3	25.0	TTB10	272	127	95	70	25
HFG1002	109	51	0.76	153.4	35.0	TTB10	189	185	140	115	27.5
HFG1004	109	100	1.53	153.4	50.3	TTB10	240	185	140	115	27.5
HFG1006	109	150	2.30	153.4	65.4	TTB10	311	185	140	115	27.5
HFG1502	152	51	1.07	214.3	78.0	TTB10	237	216	165	135	42
HFG1504	152	100	2.14	214.3	84.0	TTB10	288	216	165	135	42
HFG1506	152	150	3.21	214.3	89.5	TTB10	338	216	165	135	42
HFG2002	203	50	1.42	285.1	95.4	TTB14	261	254	190	135	50
HFG2006	203	152	4.33	285.1	137.0	TTB14	362	254	190	135	50
HFG2506	256	152	5.50	366.5	171.0	TTB14	401	273	216	150	50
HFG3006	326	150	6.87	457.7	228.5	TTB14	417	310	241	150	50
HFG4006	398	151	8.44	559.0	308.5	TTB14	459	360	267	180	70
HFG5006	520	152	11.10	729.9	457.0	TTB16	498	400	305	180	80
HFG8006	809	152	17.47	1134.1	735.0	TTB16	565	480	380	340	80.0
HFG10006	1012	152	21.61	1419.3	1016.0	TTB20	620	540	425	380	90.0

*Note: Other capacities and stroke lengths available on request.*

*If specifying this cylinder for use with the SLF and SLV synchronous lifting systems and associated mounting kit, please consider the increase in dimension A (closed height), see pages 43 and 47.*