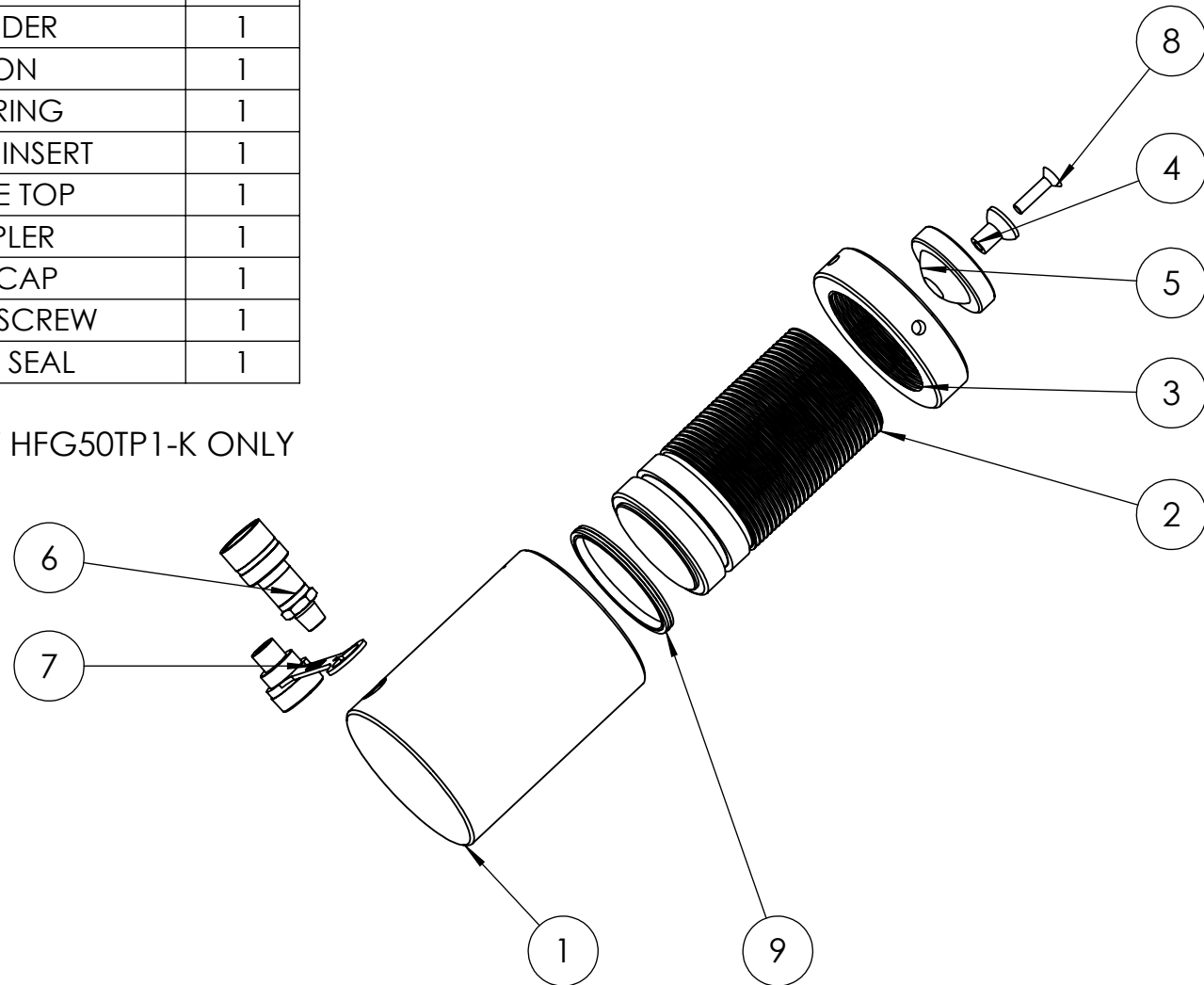


ITEM NO.	PART NUMBER	DESCRIPTION	QTY.
1	CBC095RF001	CYLINDER	1
2	PRC095MF002	PISTON	1
3	SRC095PH002	STOP RING	1
4	SIC015DF001	SADDLE INSERT	1
5	SAC070YB001	SADDLE TOP	1
6	CF1	COUPLER	1
7	PPC2	DUST CAP	1
8	BLC008KF035	SKT CSK SCREW	1
9	X	PISTON SEAL	1

ALL ITEMS MARKED 'X' SUPPLIED IN KIT HFG50TP1-K ONLY



REVISION

1	
2	5124
3	
4	
5	
6	
7	
8	
9	
10	
11	
12	
13	
14	
15	
16	
17	
18	
19	
20	

IMPORTANT

WHEN ORDERING SPARES YOU MUST STATE THE FULL PART NUMBER AND THE PRODUCT SERIAL NUMBER - FROM THE LABEL TO PROTECT YOUR WARRANTY ALWAYS USE GENUINE HI-FORCE PARTS.