

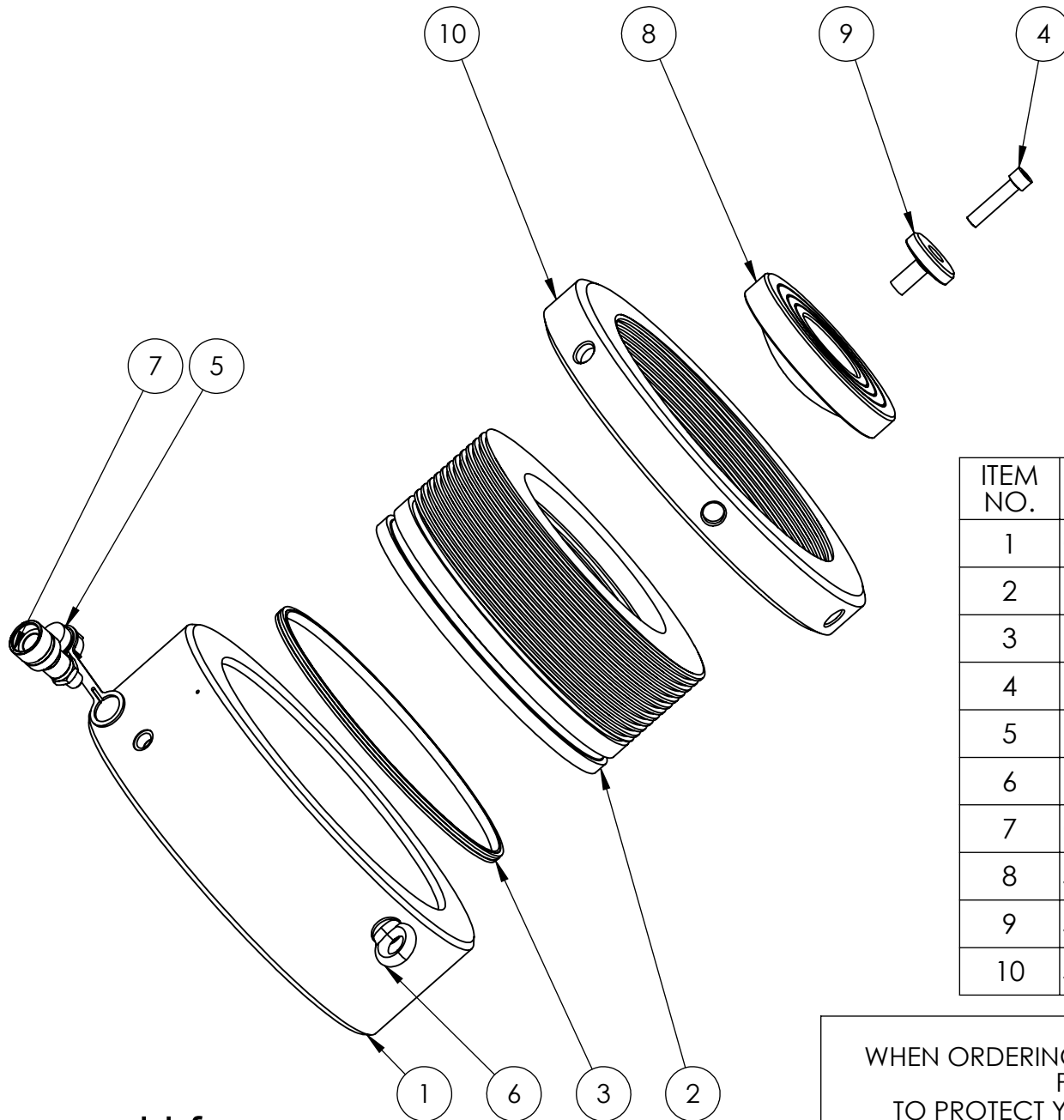
REVISION

1	
2	4417
3	
4	
5	
6	
7	
8	
9	
10	
11	
12	
13	
14	
15	
16	
17	
18	
19	
20	

ITEM NO.	PART NUMBER	DESCRIPTION	QTY.
1	CBC305XC001	CYLINDER	1
2	PRC305MC002	PISTON	1
3	HFL500TP1-K	PISTON SEAL	1
4	PPC1	DUST COVER	1
5	BS4278-M16	EYEBOLT	2
6	CF1	COUPLER	1
7	SRC305LU003	LOCK RING.	1
8	SAC290YC001	SADDLE	1
9	SIC016WD001	CENTRE BUTTON	1
10	BLC012MS060	SHOULDER SCREW	1

**IMPORTANT**

WHEN ORDERING SPARES YOU MUST STATE THE FULL PART NUMBER AND THE PRODUCT SERIAL NUMBER - FROM THE LABEL TO PROTECT YOUR WARRANTY ALWAYS USE GENUINE HI-FORCE PARTS.



ITEM NO.	PART NUMBER	DESCRIPTION	QTY.
1	CBC305XC001	CYLINDER	1
2	PRC305MC001	PISTON	1
3	HFL500TP1-K	PISTON SEAL	1
4	BLC012MC055	CAP HEAD SCREW	1
5	PPC1	DUST COVER	1
6	BS4278-M16	EYEBOLT	2
7	CF1	COUPLER	1
8	SAC180WC001	TILTING SADDLE	1
9	SIC016WK001	CENTRE STUD	1
10	SRC305LU003	LOCK RING.	1

REVISION
1 4417
2
3
4
5
6
7
8
9
10
11
12
13
14
15
16
17
18
19
20

**IMPORTANT**  
WHEN ORDERING SPARES YOU MUST STATE THE FULL PART NUMBER AND THE PRODUCT SERIAL NUMBER - FROM THE LABEL TO PROTECT YOUR WARRANTY ALWAYS USE GENUINE HI-FORCE PARTS.