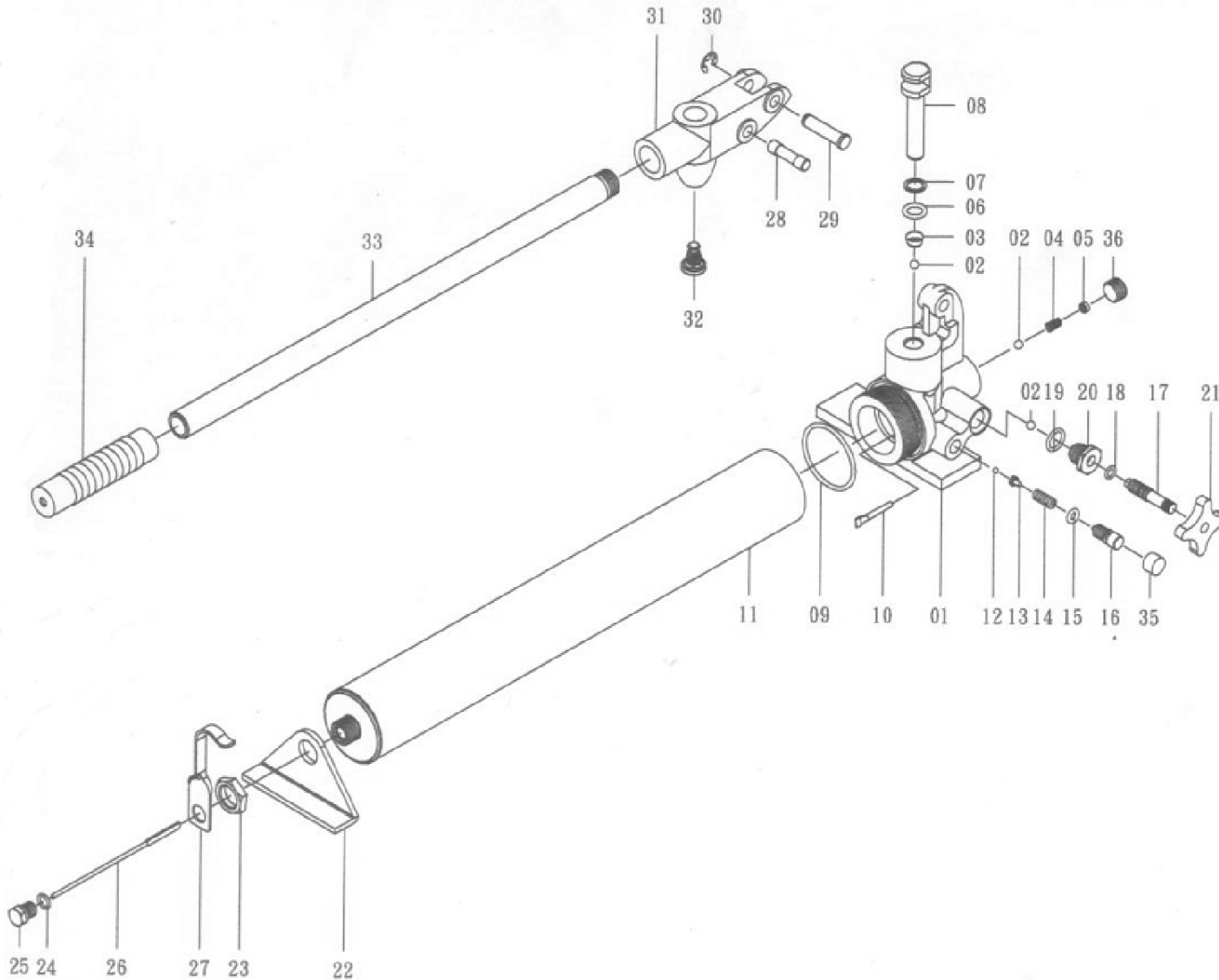


ITEM NO.	PART NUMBER	DESCRIPTION	QTY.
1	FSC010BS001	BRACE	1
2	HF16	HI- FORCE FITTING 3/8 F. X 3/8 M.	1
3	HC2	HOSE WITH COUPLER 2M.	1
4	FSC000WS001	WEDGE	1
5	FSC010LS001	LEG	2
6	FSC010NS001	NUT	1
7	FSC010RS001	ROD	1
8	HSS102	SPRING RETURN CYLINDER	1
9	STC030RA001	R- PIN	2
10	WAC012AB000	WASHER	1

IMPORTANT

WHEN ORDERING SPARES YOU MUST STATE THE FULL PART NUMBER AND THE PRODUCT SERIAL NUMBER - FROM THE LABEL TO PROTECT YOUR WARRANTY ALWAYS USE GENUINE HI-FORCE PARTS.



REF	DESCRIPTION	PART NUMBER
01	PUMP HOUSING	HP110-1
02	BALL	X
03	FILTER	X
04	SPRING	X
05	SCREW	HP110-5
06	O-RING	X
07	BACK UP RING	X
08	PISTON	HP110-8
09	O-RING	X
10	FILTER	X
11	RESERVOIR	HP110-11
12	BALL	X
13	SPRING END CAP	X
14	SPRING	X
15	O-RING	X
16	COVER SCREW	X
17	RELEASE VALVE SCREW	RV
18	O-RING	X
19	O-RING	X
20	RELEASE NUT	RV
21	RELEASE KNOB	RV
22	FOOT	HP110-22
23	NUT	HP110-23
24	O-RING	X
25	SCREW	D
26	DIPSTICK	D
27	HOOK	HP110-27
28	PISTON PIN	HP110-28
29	YOKE PIN	HP110-29
30	RETAINING RING	X
31	YOKE	HP110-31
32	BUMPER	X
33	HANDLE	HP110-33
34	HANDLE GRIP	HP110-34
35	COVER	X
36	SCREW	HP110-36
38	RELEASE VALVE ASSEMBLY	HP110-38
39	DIPSTICK ASSEMBLY	HP110-39

ITEMS MARKED X ARE ONLY AVAILABLE IN HP110TP2-K SERVICE KIT.

ITEMS MARKED "RV" ARE ONLY AVAILABLE AS RELEASE VALVE ASSEMBLY - ITEM 38

ITEMS MARKED D ARE ONLY AVAILABLE AS DIPSTICK ASSEMBLY - ITEM 39

IMPORTANT

WHEN ORDERING SPARES YOU MUST STATE THE FULL PART NUMBER AND THE PRODUCT SERIAL NUMBER - FROM THE LABEL TO PROTECT YOUR WARRANTY ALWAYS USE GENUINE HI-FORCE PARTS.