

Prepared by:-	M.Davies	Approved by:-		Date: 09/09/14
REV NO:-	1			
ECO:-	4282			

INTRODUCTION

Hi-Force control valves are designed to provide precise control of the hydraulic system either by accurate pressure or directional flow control. The HFV66 Manual Check Valve features a pressure relief valve that is factory set to 820 BAR. (12000 psi).

Warning: Relief valve vents to atmosphere.

Always specify Hi-Force control valves for use with your Hi-Force hydraulic tool.

SAFTEY NOTES

Sufficient time should be allocated to planning your hydraulic system. Making sure that all system components are adequate for the intended operation.

Always check system components regarding load capacities, pressure ranges and setup requirements.

Ensure that any Hi-Force hydraulic hoses are correctly fitted to the HFV66 manual check valve.

Always wear suitable personal protection when operating hydraulic equipment.

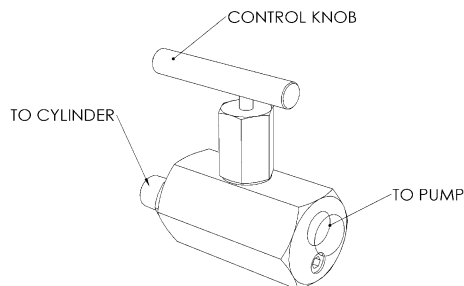
Keep all body parts away from cylinder and work piece/ load.

CAUTION: READ ALL WARNING, CAUTION AND INSTRUCTIONS INCLUDED WITH ALL SYSTEM COMPONENTS.

CONTROL VALVE SETUP AND OPERATION

1. Wrap threads with PTFE tape to ensure connections are fully tightened before use. Connect valve between pump and cylinder
2. Ensure that the manual valve is in the fully closed (clockwise) position. In this position the valve will allow free flow from the pump to the cylinder but will automatically lock the cylinder in the advanced position.
See Figure 1.

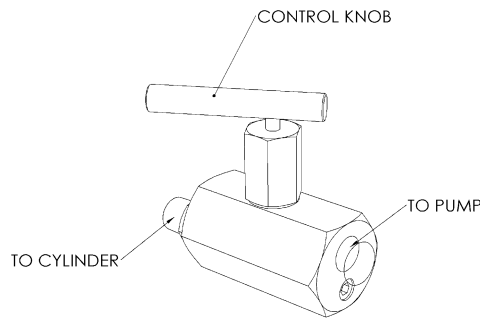
FIGURE 1



Prepared by:-	M.Davies	Approved by:-		Date: 09/09/14
REV NO:-	1			
ECO:-	4282			

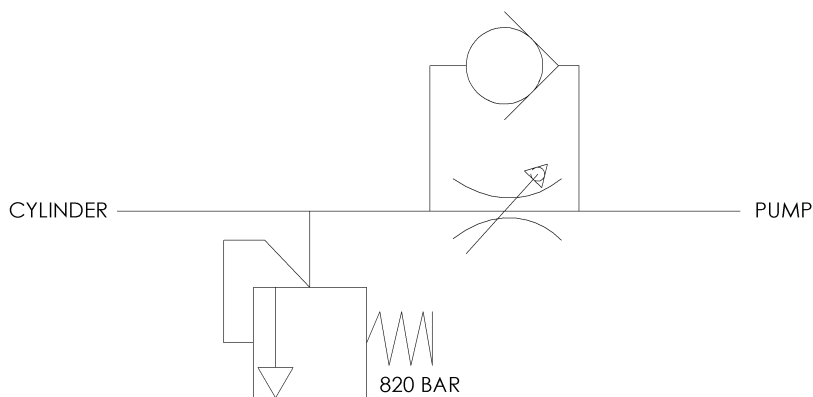
- To allow retraction of the cylinder, open the manual valve by turning the control knob anticlockwise. The rate of oil flow can be controlled by the degree of opening of the valve. See Figure 2

FIGURE 2



NOTE: WHEN USING HFV66 VALVE WITH DOUBLE ACTING CYLINDERS THE VALVE SHOULD NOT BE FULLY CLOSED WHEN PRESSURISING THE OPPOSITE PORT.

System Diagram of HFV66



Prepared by:-	M.Davies	Approved by:-		Date: 09/09/14
REV NO:-	1			
ECO:-	4282			

UK Head Office:

**Hi-Force Limited
Prospect Way
Daventry
Northamptonshire
NN11 8PL
United Kingdom**

Tel: + 44 1327 301000**Fax: + 44 1327 706555****Email: daventry@hi-force.com****Hi-Force Regional Offices:**

**Hi-Force Australia Pty. Ltd
Rockingham
Australia
Tel: +61 8 9591 1288
Email: australia@hi-force.com**

**Hi-Force Caspian
Baku
Azerbaijan
Tel: +994 12 447 4100
Email: baku@hi-force.com**

**Hi-Force Hydraulics (Asia) S.B
Selangor
Malaysia
Tel: +603 5569 4209
Email: malaysia@hi-force.com**

**Hi-Force Nederland BV
Strijen
Netherlands
Tel: +31 78 6745488
Email: holland@hi-force.com**

**Hi-Force Hydraulics (Pty) Ltd
Midrand
South Africa
Tel: +27 11 314 0555
Email: south.africa@hi-force.com**

**Hi-Force FZCO
Dubai
United Arab Emirates
Tel: +971 4 815 0600
Email: dubai@hi-force.com**

**Hi-Force Hydraulics
Abu Dhabi
United Arab Emirates
Tel: +971 2 551 3100
Email: abu.dhabi@hi-force.com**

**Hi-Force Hydraulic Equipment
(Shanghai) Ltd. Co.
Shanghai, China
Tel: +86 21 6697 3010
Email: china@hi-force.com**