

HHR | DOUBLE ACTING HOLLOW PISTON CYLINDERS

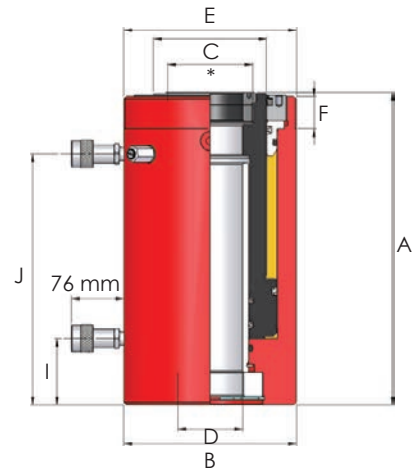
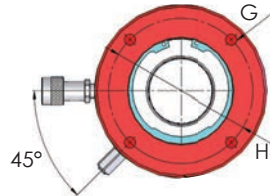


Capacities from 33 to 247 tonnes

Stroke lengths from 51 to 305 mm

Working pressure 700 bar

- ▶ Double acting design for enhanced operating stages
- ▶ Hollow piston design for tooling, maintenance and tensioning applications
- ▶ Nitrocarburised piston rod for corrosion resistance
- ▶ Low friction bearing surfaces
- ▶ Annular area overload protection valve
- ▶ Anti-extrusion seals for improved performance at high pressures
- ▶ Collar threads withstand full load
- ▶ Optional piston rod saddles listed on pages 24 and 25



Note: 33 & 61 tonne models feature 2 base mounting holes at 90° from coupler.

**see pages 24 and 25*

Model number	Capacity (tonnes)		Stroke (mm)	Oil capacity (cm ³)	Cylinder eff. area (cm ²)	Weight (kg)	Dimensions (mm) <small>(unless otherwise stated)</small>									
	Push	Pull					A	B	C	D	E	F	G	H	I	J
HHR302	33	24	51	238	46.7	12.2	180	115	60.3	35	4 1/2"-12 UN	40	M8	92	28	119
HHR306	33	24	150	701	46.7	17.6	279	115	60.3	35	4 1/2"-12 UN	40	M8	92	28	218
HHR3012	33	24	305	1424	46.7	25.7	434	115	60.3	35	4 1/2"-12 UN	40	M8	92	28	373
HHR603	61	38	76	652	85.7	30.6	239	160	92	55	6 1/4"-12 UN	45	M12	130	31	166
HHR606	61	38	152	1304	85.7	41.6	315	160	92	55	6 1/4"-12 UN	45	M12	130	31	242
HHR6010	61	38	254	2179	85.7	52.5	417	160	92	55	6 1/4"-12 UN	45	M12	130	31	344
HHR1003	102	43	76	1087	143.1	68.5	310	213	140	80	8 3/8"-12 UN	40	M16	178	82	234
HHR1006	102	43	152	2174	143.1	90.0	386	213	140	80	8 3/8"-12 UN	40	M16	178	82	310
HHR1508	152	71	203	4320	212.8	170.0	503	270	184	102	n/a	n/a	n/a	n/a	98	389
HHR2508	247	76	203	7039	346.5	269.0	505	350	254	150	n/a	n/a	n/a	n/a	98	389