

HHS | SINGLE ACTING HOLLOW PISTON CYLINDERS

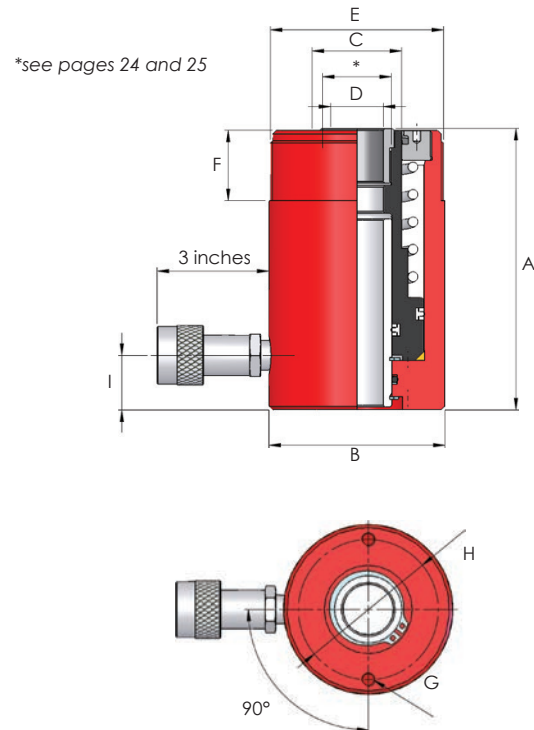


Capacities from 12 to 112 tons

Stroke lengths from 0.99 to 5.99 inches

Working pressure 10000 psi

- ▶ Single acting, spring assisted return
- ▶ Hollow piston design for tooling, maintenance and tensioning applications
- ▶ Nitrocarburized piston rod for corrosion resistance
- ▶ Low friction bearing surfaces
- ▶ Anti-extrusion seals for improved performance at high pressures
- ▶ Collar threads withstand full load
- ▶ Optional piston rod saddles listed on pages 24 and 25
- ▶ Customized and special design cylinders are available on request



| Model number | Capacity (tons) | Stroke (in) | Oil capacity (in ³) | Cylinder eff. area (in ²) | Weight (lbs) |
|--------------|-----------------|-------------|---------------------------------|---------------------------------------|--------------|
| HHS101 | 12 | 0.99 | 2.38 | 2.45 | 6.2 |
| HHS102 | 12 | 1.97 | 4.82 | 2.45 | 6.6 |
| HHS106 | 12 | 5.99 | 14.64 | 2.45 | 22.5 |
| HHS202 | 25 | 1.97 | 10.19 | 5.16 | 15.4 |
| HHS206 | 25 | 5.91 | 30.5 | 5.16 | 30.4 |
| HHS302 | 36 | 1.97 | 14.21 | 7.24 | 23.4 |
| HHS306 | 36 | 5.99 | 43.31 | 7.24 | 42.3 |
| HHS603 | 67 | 2.99 | 39.71 | 13.28 | 61.7 |
| HHS606 | 67 | 5.91 | 78.39 | 13.28 | 89.5 |
| HHS1003 | 112 | 2.99 | 66.37 | 22.18 | 141.1 |
| HHS1006 | 112 | 5.91 | 130.97 | 22.18 | 165.3 |

| Dimensions (in) (unless otherwise stated) | | | | | | | | |
|---|------|------|------|------------|------|-----|------|------|
| A | B | C | D | E | F | G | H | I |
| 4.33 | 2.76 | 1.5 | 0.79 | 2 ¼"-16 UN | 1.18 | M8 | 2.01 | 0.75 |
| 5.52 | 2.76 | 1.5 | 0.79 | 2 ¼"-16 UN | 1.18 | M8 | 2.01 | 0.75 |
| 11.7 | 2.76 | 1.5 | 0.79 | 2 ¼"-16 UN | 1.18 | M8 | 2.01 | 0.75 |
| 6.3 | 3.94 | 2.01 | 1.18 | 3 ⅞"-12 UN | 1.58 | M8 | 3.25 | 1.22 |
| 12.06 | 3.94 | 2.01 | 1.18 | 3 ⅞"-12 UN | 1.58 | M8 | 3.25 | 1.22 |
| 6.5 | 4.53 | 2.36 | 1.38 | 4 ½"-12 UN | 1.58 | M8 | 3.62 | 1.22 |
| 12.61 | 4.53 | 2.36 | 1.38 | 4 ½"-12 UN | 1.58 | M8 | 3.62 | 1.22 |
| 8.9 | 6.3 | 3.62 | 2.17 | 6 ¼"-12 UN | 2.32 | M12 | 5.12 | 1.22 |
| 12.41 | 6.3 | 3.62 | 2.17 | 6 ¼"-12 UN | 2.32 | M12 | 5.12 | 1.22 |
| 10.87 | 8.39 | 5 | 3.19 | 8 ⅜"-12 UN | 2.36 | M16 | 7.01 | 1.77 |
| 13.79 | 8.39 | 5 | 3.19 | 8 ⅜"-12 UN | 2.36 | M16 | 7.01 | 1.77 |

Note: If specifying this cylinder for use with the SLF and SLV synchronous lifting systems and associated mounting kit, please consider the increase in dimension A (closed height), see pages 42 and 46.