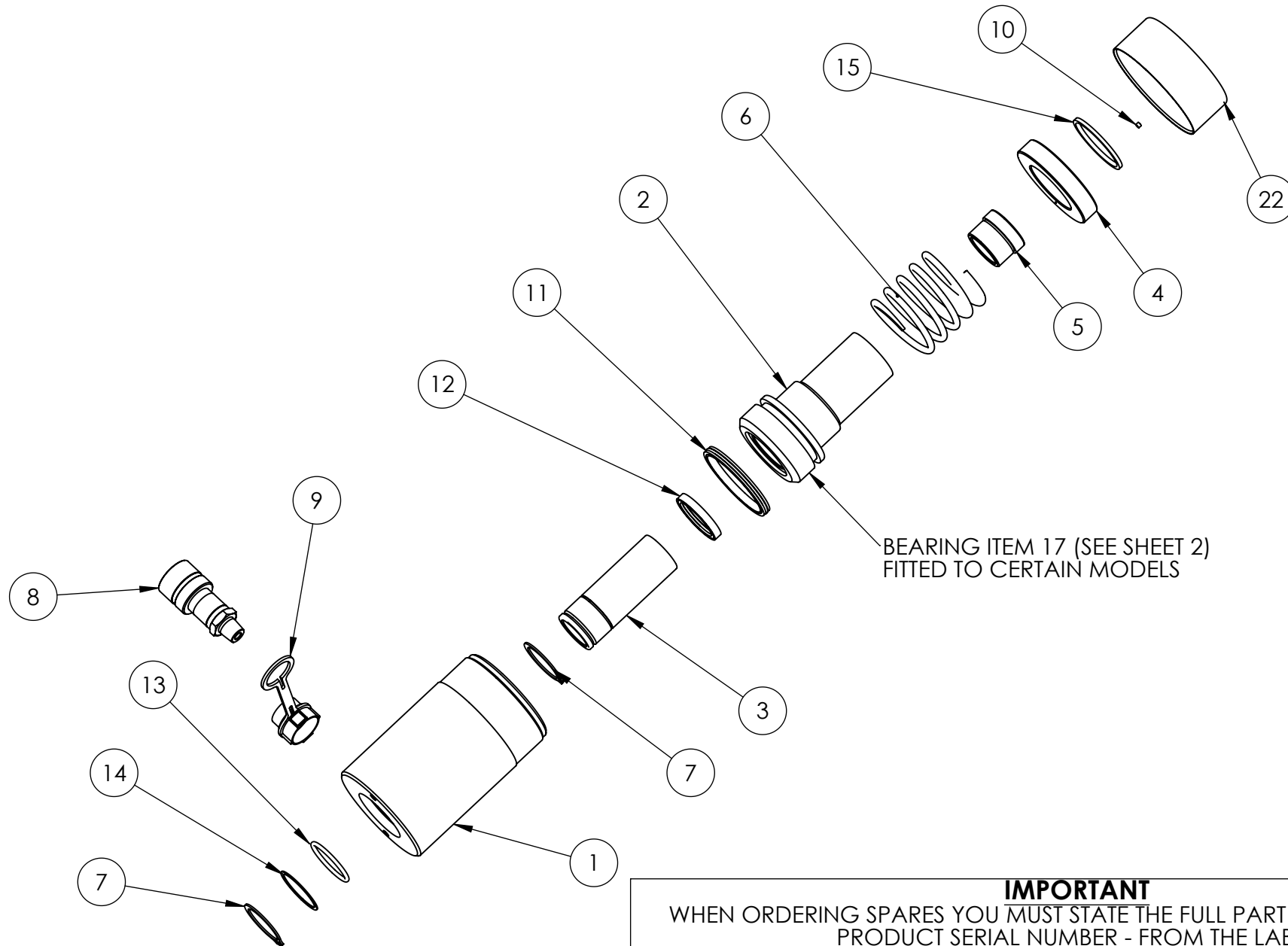


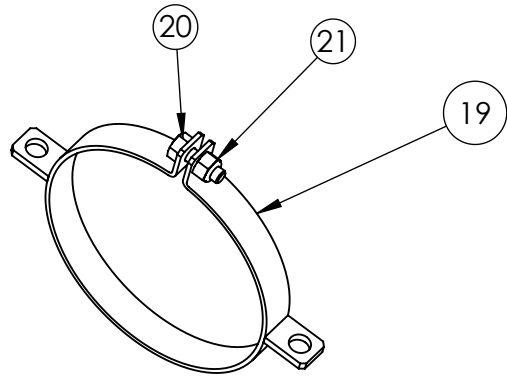
ITEM NO.	PART NUMBER	DESCRIPTION	QTY.	REVISION	
1	CBC089HH001		1	2	3983
2	PRC089HH002	PISTON	1	3	
3	SFC044VC001	GUIDE TUBE	1	4	
4	SRC060SH002	STOP RING	1	5	
5	SAC052HT001	SADDLE	1	6	
6	SPC087CE001	SPRING	1	7	
7	STC044CA001	CIRCLIP	2	8	
8	CF1	COUPLER	1	9	
9	PPC1	DUST COVER	1	10	
10	FFC004RC001	FILTER	1	11	
11	X	PISTON SEAL	1	12	
12	X	ROD SEAL	1	13	
13	X	O - RING	1	14	
14	X	BACK UP RING	1	15	
15	X	WIPER	1	16	
16	HLC013BM001	HANDLE	1	17	
17	PTP114TH030	THREAD PROTECTOR	1	18	
				19	
				20	

ITEMS MARKED X ARE AVAILABLE IN SERVICE KIT HHS30TP2-K ONLY

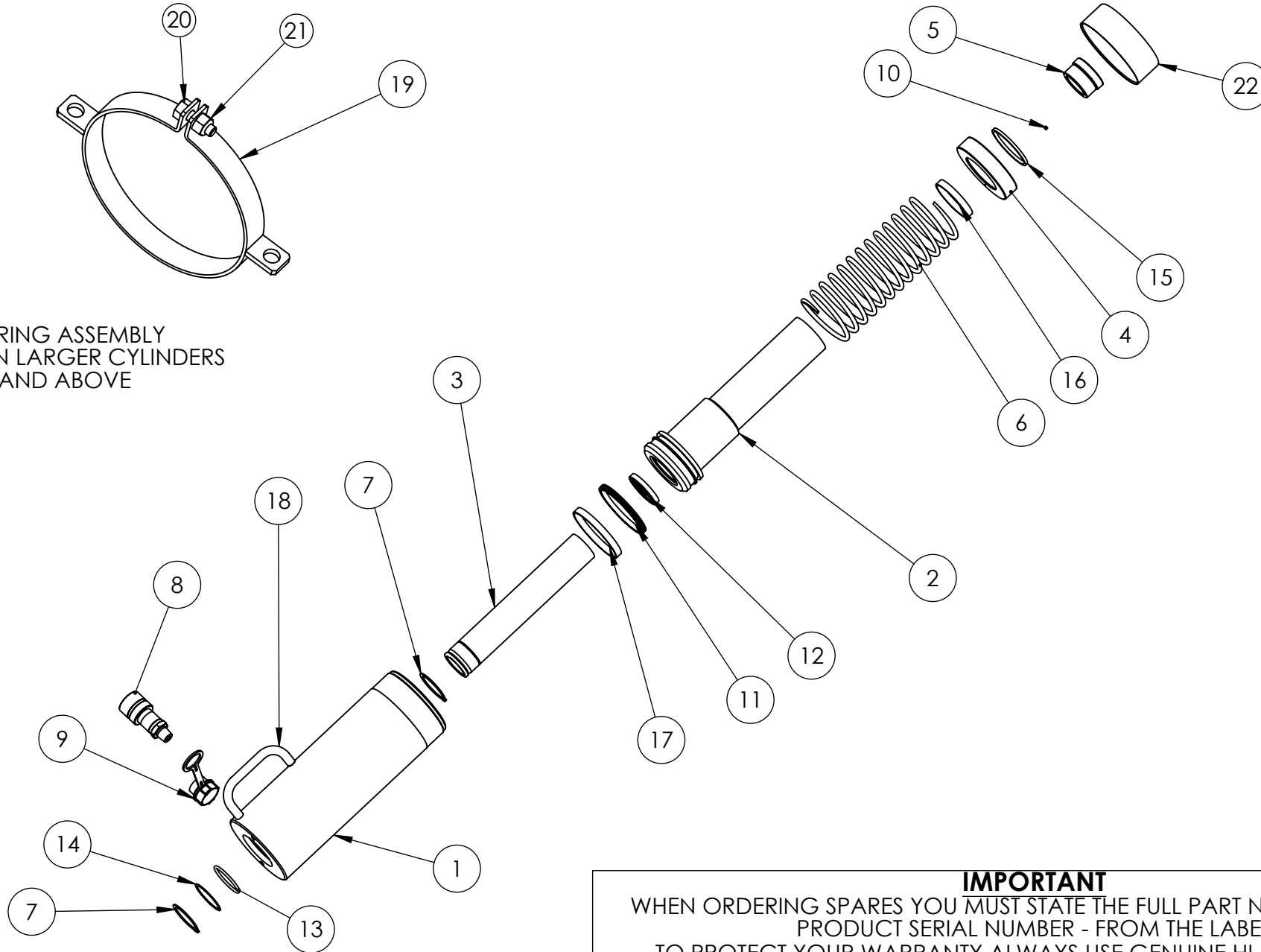
IMPORTANT
WHEN ORDERING SPARES YOU MUST STATE THE FULL PART NUMBER AND THE PRODUCT SERIAL NUMBER - FROM THE LABEL TO PROTECT YOUR WARRANTY ALWAYS USE GENUINE HI-FORCE PARTS.



IMPORTANT
WHEN ORDERING SPARES YOU MUST STATE THE FULL PART NUMBER AND THE
PRODUCT SERIAL NUMBER - FROM THE LABEL
TO PROTECT YOUR WARRANTY ALWAYS USE GENUINE HI-FORCE PARTS.



LIFTING RING ASSEMBLY
USED ON LARGER CYLINDERS
HHS603 AND ABOVE



IMPORTANT

WHEN ORDERING SPARES YOU MUST STATE THE FULL PART NUMBER AND THE
PRODUCT SERIAL NUMBER - FROM THE LABEL
TO PROTECT YOUR WARRANTY ALWAYS USE GENUINE HI-FORCE PARTS.

ITEM NO	DESCRIPTION	MODEL NUMBER										
		HHS101	HHS102	HHS106	HHS202	HHS206	HHS302	HHS306	HHS603	HHS606	HHS1003	HHS1006
1	CYLINDER	C8C054HB001	C8C054HC002	C8C054HH001	C8C076HC001	C8C076HH001	C8C089HC001	C8C089HH001	C8C124HE001	C8C124HH001	C8C165HE001	C8C165HH001
2	PISTON	PRC054HB001	PRC054HC002	PRC054HH001	PRC076HC001	PRC076HH001	PRC089HC001	PRC089HH001	PRC124HE001	PRC124HH001	PRC165HE001	PRC165HH001
3	GUIDE TUBE	SFC030VAD001	SFC030VB001	SFC030VC001	SFC040VB001	SFC040VC001	SFC044VB001	SFC044VC001	SFC067VB001	SFC067VC001	SFC095VB002	SFC095VB001
4	STOP RING	SRC038SE002	SRC038SE002	SRC038SE002	SRC051SG003	SRC051SG003	SRC060SH001	SRC060SH001	SRC092SL001	SRC092SL001	SRC127SQ001	SRC127SQ001
5	SADDLE	SAC032HT001	SAC032HT001	SAC032HT001	SAC043HT001	SAC043HT001	SAC052HT001	SAC052HT001	SAC080HT001	SAC080HT001	SAC114HT001	SAC114HT001
6	SPRING	SPC053CB002	SPC053CB003	SPC053CD001	SPC071CB001	SPC071CD001	SPC087CC002	SPC087CE001	SPC122CD001	SPC122CD002	SPC163CD002	SPC163CD001
7	CIRCLIP	STC030CA001	STC030CA001	STC030CA001	STC040CA001	STC040CA001	STC044CA001	STC044CA001	STC067CA001	STC067CA001	STC095CA001	STC095CA001
8	COUPLER	CF1	CF1	CF1	CF1	CF1	CF1	CF1	CF1	CF1	CF1	CF1
9	DUST CAP	BPC030FP001	BPC030FP001	BPC030FP001	BPC030FP001	BPC030FP001	BPC030FP001	BPC030FP001	BPC030FP001	BPC030FP001	BPC030FP001	BPC030FP001
10	FILTER	FFC004RC001	FFC004RC001	FFC004RC001	FFC004RC001	FFC004RC001	FFC004RC001	FFC004RC001	FFC004RC001	FFC004RC001	FFC004RC001	FFC004RC001
11	PISTON SEAL	X	X	X	X	X	X	X	X	X	X	X
12	ROD SEAL	X	X	X	X	X	X	X	X	X	X	X
13	O RING	X	X	X	X	X	X	X	X	X	X	X
14	BACK UP RING	X	X	X	X	X	X	X	X	X	X	X
15	WIPER	X	X	X	X	X	X	X	X	X	X	X
16	BEARING	-	-	-	-	-	BSC060TB001*	BSC060TB001*	-	-	BSC127TB001*	BSC127TB001*
17	BEARING	-	BSC054TA001*	BSC054TA001*	-	-	-	BSC089TB001*	-	-	BSC165TC001*	BSC165TC001*
18	HANDLE	-	-	-	-	-	HLC013BM001	HLC013BM001	-	-	-	-
19	LIFTING RING	-	-	-	-	-	-	-	FLC160LA002	FLC160LA002	FLC213LA001	FLC213LA001
20	BOLT	-	-	-	-	-	-	-	BLC010LB030	BLC010LB030	BLC010LB030	BLC010LB030
21	NUT	-	-	-	-	-	-	-	NUC010LC000	NUC010LC000	NUC010LC000	NUC010LC000
22	THRD PROTECTOR	PTP070TP015	PTP070TP015	PTP070TP015	PTP098TH020	PTP098TH020	PTP114TH030	PTP114TH030	PTP159TH060	PTP159TH060	PTP213TH100	PTP213TH100
	SEAL KITS:	HHS10TP1-K	HHS10TP1-K	HHS10TP1-K	HHS20TP1-K	HHS20TP1-K	HHS30TP1-K	HHS30TP1-K	HHS60TP1-K	HHS60TP1-K	HHS100TP1-K	HHS100TP1-K

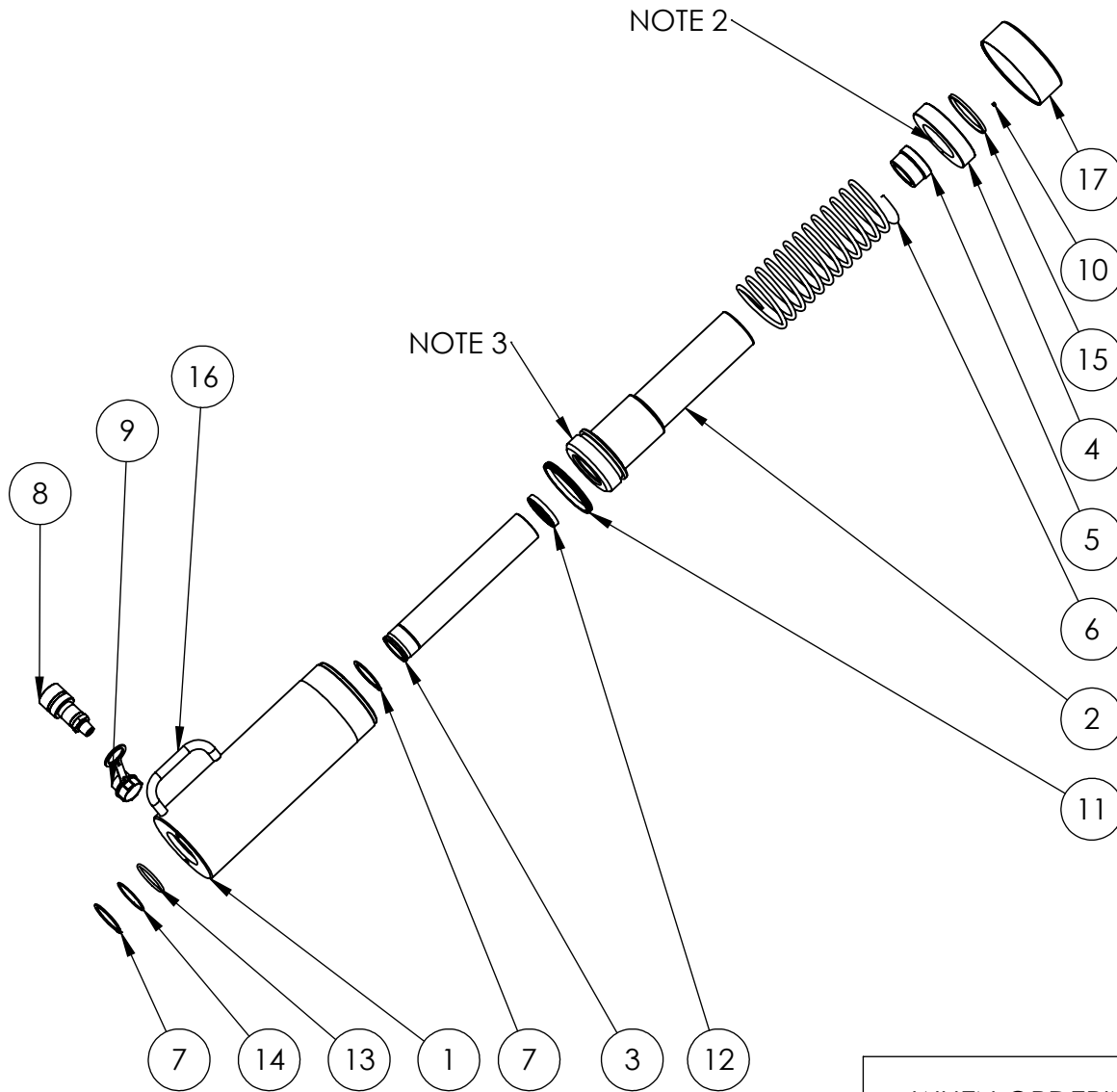
* NOT FITTED TO LATER MODELS

NEWER PARTS AFTER SERIAL NO:		AV8367	AV9128	AV9508	AX2205	AX4141	AX4409	AX6532	AX6303	AW7061	AX4334	AX7569
ITEM NO	DESCRIPTION	HHS101	HHS102	HHS106	HHS202	HHS206	HHS302	HHS306	HHS603	HHS606	HHS1003	HHS1006
2	PISTON	PRC054HB002	PRC054HC003	PRC054HH002	PRC076HC002	PRC076HH002	PRC089HC002	PRC089HH002	PRC124HE003	PRC124HH002	PRC165HE003	PRC165HH003
4	STOP RING	SRC038SE004	SRC038SE004	SRC038SE004	SRC051SG006	SRC051SG006	SRC060SH002	SRC060SH002	SRC092SL003	SRC092SL003	SRC127SQ002	SRC127SQ002
15	WIPER	X	X	X	X	X	X	X	X	X	X	X
	SERVICE KITS:	HHS10TP2-K	HHS10TP2-K	HHS10TP2-K	HHS20TP2-K	HHS20TP2-K	HHS30TP2-K	HHS30TP-K	HHS60TP2-K	HHS60TP2-K	HHS100TP2-K	HHS100TP2-K

ITEMS: 11, 12, 13, 14 AND 15 SUPPLIED IN ABOVE RESPECTIVE SEAL KITS ONLY.

IMPORTANT

WHEN ORDERING SPARES YOU MUST STATE THE FULL PART NUMBER AND THE PRODUCT SERIAL NUMBER - FROM THE LABEL TO PROTECT YOUR WARRANTY ALWAYS USE GENUINE HI-FORCE PARTS.



ITEM NO.	PART NUMBER	DESCRIPTION	QTY.	REVISION
				1 3983
1	CBC089HH001		1	2
2	PRC089HH001 (NOTE 1)	PISTON	1	3
3	SFC044VC001	GUIDE TUBE	1	4
4	SRC060SH001 (NOTE 1)	STOP RING	1	5
5	SAC052HT001	SADDLE	1	6
6	SPC087CE001	SPRING	1	7
7	STC044CA001	CIRCLIP	2	8
8	CF1	COUPLER	1	9
9	PPC1	DUST COVER	1	10
10	FFC004RC001	FILTER	1	11
11	X	PISTON SEAL	1	12
12	X	ROD SEAL	1	13
13	X	O - RING	1	14
14	X	BACK UP RING	1	15
15	X	WIPER	1	16
16	HLC013BM001	HANDLE	1	17
17	PTP114TH030	THREAD PROTECTOR	1	18

ITEMS MARKED X ARE AVAILABLE IN SERVICE KIT HHS30TP1-K ONLY

NOTES:

1. OBSOLETE PARTS. MUST BE REPLACED AS A PAIR WITH PRC089HH002 AND SRC060SH002. ALSO ORDER SERVICE KIT HHS30TP2-K INSTEAD OF HHS30TP1-K
2. BEARING BSC060TB001 FITTED TO EARLIER MODELS
3. BEARING BSC089TB001 FITTED TO EARLIER MODELS

IMPORTANT

WHEN ORDERING SPARES YOU MUST STATE THE FULL PART NUMBER AND THE PRODUCT SERIAL NUMBER - FROM THE LABEL TO PROTECT YOUR WARRANTY ALWAYS USE GENUINE HI-FORCE PARTS.