

ITEM NO.	PART NUMBER	DESCRIPTION	QTY.
1	CBC140LB002	CYLINDER	1
2	PRC140FB002	PISTON	1
3	SRC114SM006	STOP RING	1
4	SPC065TC003	SPRING	1
5	SIC048TD001	INSERT	2
6	CF1	COUPLER	1
7	PPC1	DUST COVER	1
8	X	PISTON SEAL	1
9	X	WIPER	1
10	FFC004RC001	FILTER	1
11	X	WASHER	1
12	BLC006JD035	SOCKET CAP HD SCREW	1
13	BLC006JH025	BUTTON HEAD SCREW	1

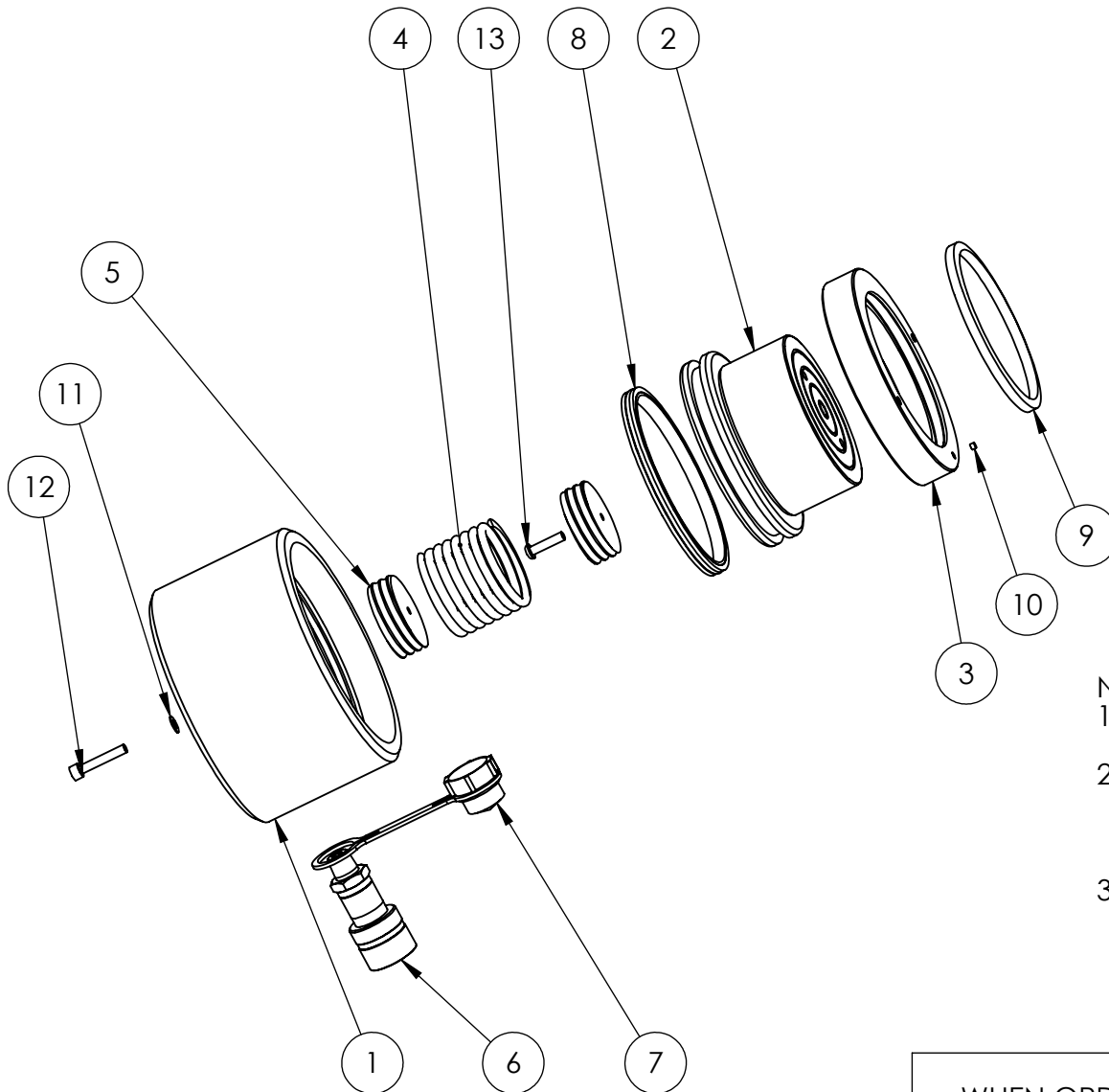
REVISION	
1	
2	3956
3	
4	
5	
6	
7	
8	
9	
10	
11	
12	
13	
14	
15	
16	
17	
18	
19	
20	

NOTES:

1. ITEMS MARKED X ARE AVAILABLE IN SERVICE KIT HLS100TP2-K ONLY
2. IF SPRING IS REPLACED, INSERTS SHOULD ALSO BE REPLACED.

IMPORTANT

WHEN ORDERING SPARES YOU MUST STATE THE FULL PART NUMBER AND THE PRODUCT SERIAL NUMBER - FROM THE LABEL TO PROTECT YOUR WARRANTY ALWAYS USE GENUINE HI-FORCE PARTS.



ITEM NO.	PART NUMBER	DESCRIPTION	QTY.
1	CBC140LB001	CYLINDER	1
2	PRC140FB001 (NOTE 2)	PISTON	1
3	SRC114SM002 (NOTE 2)	STOP RING	1
4	SPC065TC002	SPRING	1
5	SIC053TD001	INSERT	2
6	CF1	COUPLER	1
7	PPC1	DUST COVER	1
8	X	PISTON SEAL	1
9	X	WIPER	1
10	FFC004RC001	FILTER	1
11	X	WASHER	1
12	BLC006JD035	SOCKET CAP HD SCREW	1
13	BLC006JH025	BUTTON HEAD SCREW	1

NOTES:

1. ITEMS MARKED X ARE AVAILABLE IN SERVICE KIT HLS100TP1-K ONLY
2. OBSOLETE PARTS. REPLACE AS A PAIR WITH PRC140FB002 AND SRC114SM006. ALSO ORDER REVISED SERVICE KIT HLS100TP2-K INSTEAD OF HLS100TP1-K KIT
3. IF SPRING IS REPLACED, INSERTS SHOULD ALSO BE REPLACED

REVISION

1	3956
2	
3	
4	
5	
6	
7	
8	
9	
10	
11	
12	
13	
14	
15	
16	
17	
18	
19	
20	

IMPORTANT
WHEN ORDERING SPARES YOU MUST STATE THE FULL PART NUMBER AND THE PRODUCT SERIAL NUMBER - FROM THE LABEL TO PROTECT YOUR WARRANTY ALWAYS USE GENUINE HI-FORCE PARTS.