

ITEM NO.	PART NUMBER	DESCRIPTION	QTY.
1	CBC140LD002	CYLINDER	1
2	PRC140FD002	PISTON	1
3	SRC114SM006	STOP RING	1
4	SPC074UD002	TENSION SPRING	1
5	SIC037EC002	INSERT	2
6	CF1	COUPLER	1
7	PPC1	DUST COVER	1
8	X	PISTON SEAL	1
9	X	WIPER	1
10	FFC004RC001	FILTER	1
11	X	WASHER	1
12	BLC006JD050	SOCKET CAP HD SCREW	1
13	BLC006JH025	BUTTON HEAD SCREW	1
14	HLC013BM001	HANDLE	1

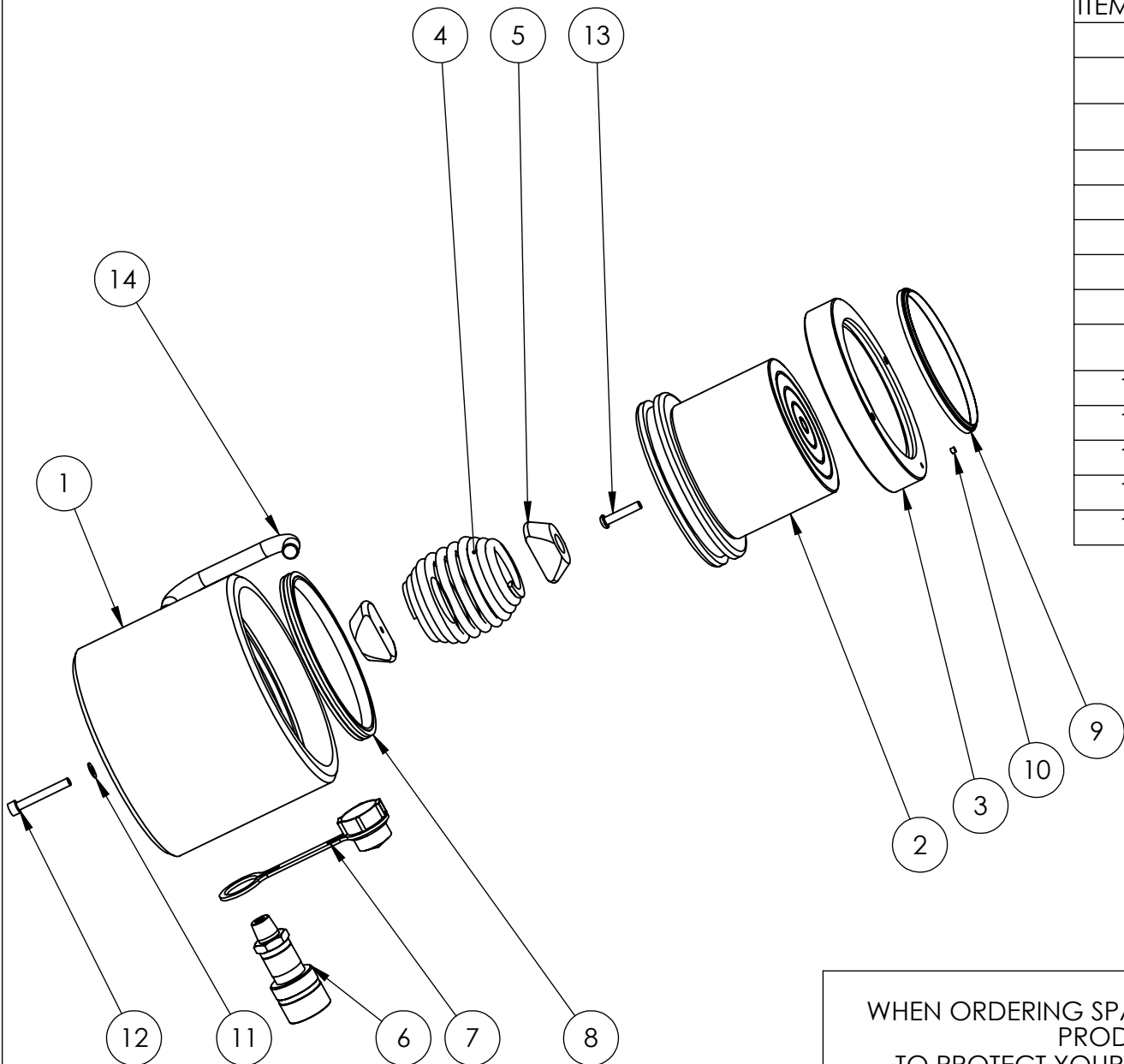
REVISION	
1	
2	
3	3956
4	
5	
6	
7	
8	
9	
10	
11	
12	
13	
14	
15	
16	
17	
18	
19	
20	

NOTES:

1. ITEMS MARKED X ARE AVAILABLE IN SERVICE KIT HLS100TP2-K ONLY
2. ON SERIAL NUMBERS BA2912 TO BC5243 INSERTS AND SPRING MUST BE REPLACED TOGETHER AS A SET.

IMPORTANT

WHEN ORDERING SPARES YOU MUST STATE THE FULL PART NUMBER AND THE PRODUCT SERIAL NUMBER - FROM THE LABEL TO PROTECT YOUR WARRANTY ALWAYS USE GENUINE HI-FORCE PARTS.



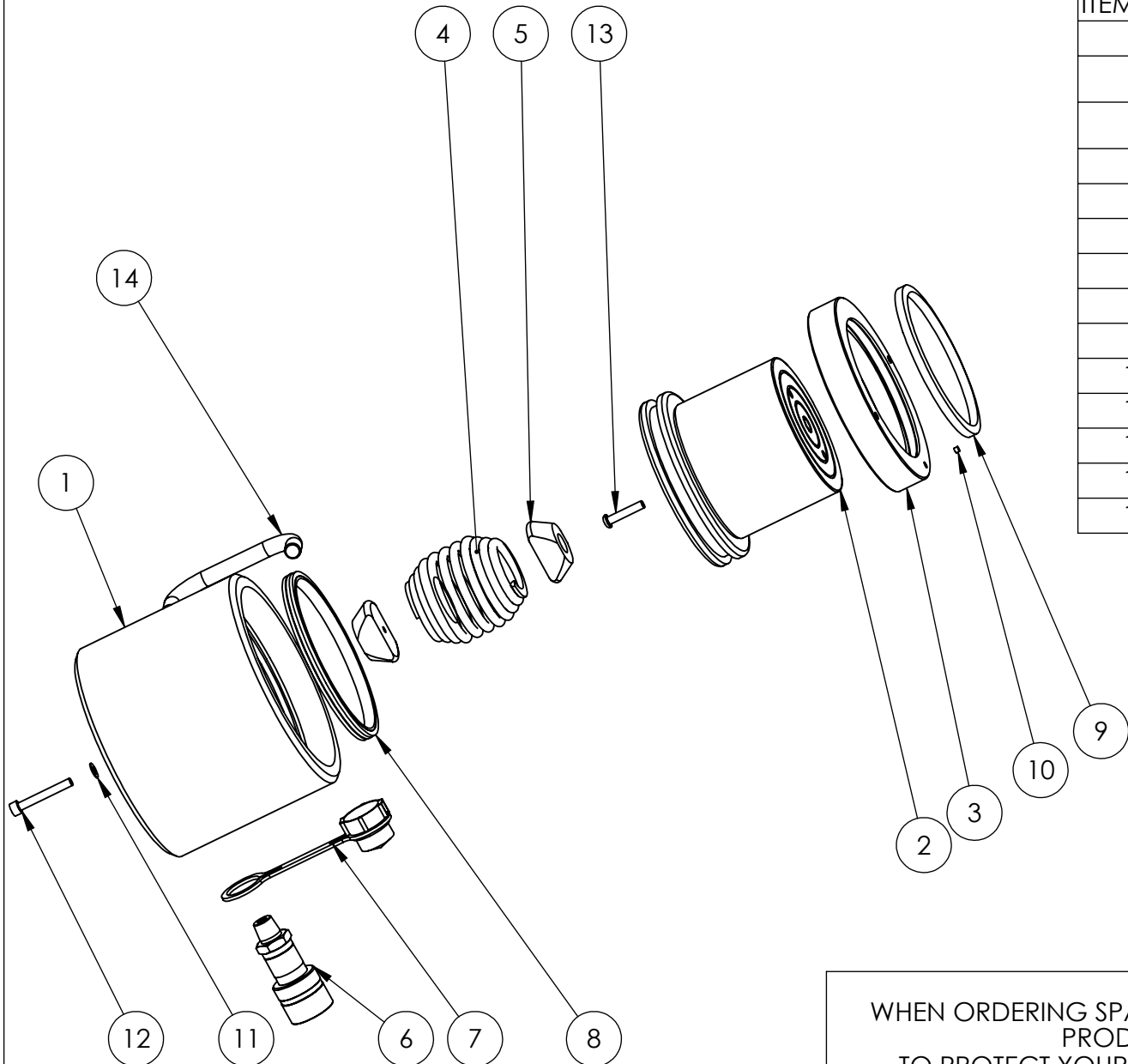
ITEM NO.	PART NUMBER	DESCRIPTION	QTY.	REVISION	
				1	2
1	CBC140LD001	CYLINDER	1	2	3956
2	PRC140FD002	PISTON	1	3	
3	SRC114SM006	STOP RING	1	4	
4	SPC074UD001	SPRING	1	5	
5	SIC034ED001	INSERT	2	6	
6	CF1	COUPLER	1	7	
7	PPC1	DUST COVER	1	8	
8	X	PISTON SEAL	1	9	
9	X	WIPER	1	10	
10	FFC004RC001	FILTER	1	11	
11	X	WASHER	1	12	
12	BLC006JC045	SOCKET CAP HD SCREW	1	13	
13	BLC006JH030	BUTTON HEAD SCREW	1	14	
14	HLC013BM001	HANDLE	1	15	
				16	
				17	
				18	
				19	
				20	

NOTES:

- ITEMS MARKED X ARE AVAILABLE IN SERVICE KIT HLS100TP2-K ONLY.

IMPORTANT

WHEN ORDERING SPARES YOU MUST STATE THE FULL PART NUMBER AND THE PRODUCT SERIAL NUMBER - FROM THE LABEL TO PROTECT YOUR WARRANTY ALWAYS USE GENUINE HI-FORCE PARTS.



ITEM NO.	PART NUMBER	DESCRIPTION	QTY.
1	CBC140LD001	CYLINDER	1
2	PRC140FD001 (NOTE 2)	PISTON	1
3	SRC114SM002 (NOTE 2)	STOP RING	1
4	SPC074UD001	SPRING	1
5	SIC034ED001	INSERT	2
6	CF1	COUPLER	1
7	PPC1	DUST COVER	1
8	X	PISTON SEAL	1
9	X	WIPER	1
10	FFC004RC001	FILTER	1
11	X	WASHER	1
12	BLC006JC045	SOCKET CAP HD SCREW	1
13	BLC006JH030	BUTTON HEAD SCREW	1
14	HLC013BM001	HANDLE	1

REVISION
1 3956
2
3
4
5
6
7
8
9
10
11
12
13
14
15
16
17
18
19
20

NOTES:

1. ITEMS MARKED X ARE AVAILABLE IN SERVICE KIT HLS100TP1-K ONLY.
2. OBSOLETE ITEMS. REPLACE AS A PAIR WITH PRC140FD002 AND SRC114SM006. ALSO ORDER REVISED SERVICE KIT HLS100TP2-K INSTEAD OF HLS100TP1-K KIT.

IMPORTANT

WHEN ORDERING SPARES YOU MUST STATE THE FULL PART NUMBER AND THE PRODUCT SERIAL NUMBER - FROM THE LABEL TO PROTECT YOUR WARRANTY ALWAYS USE GENUINE HI-FORCE PARTS.