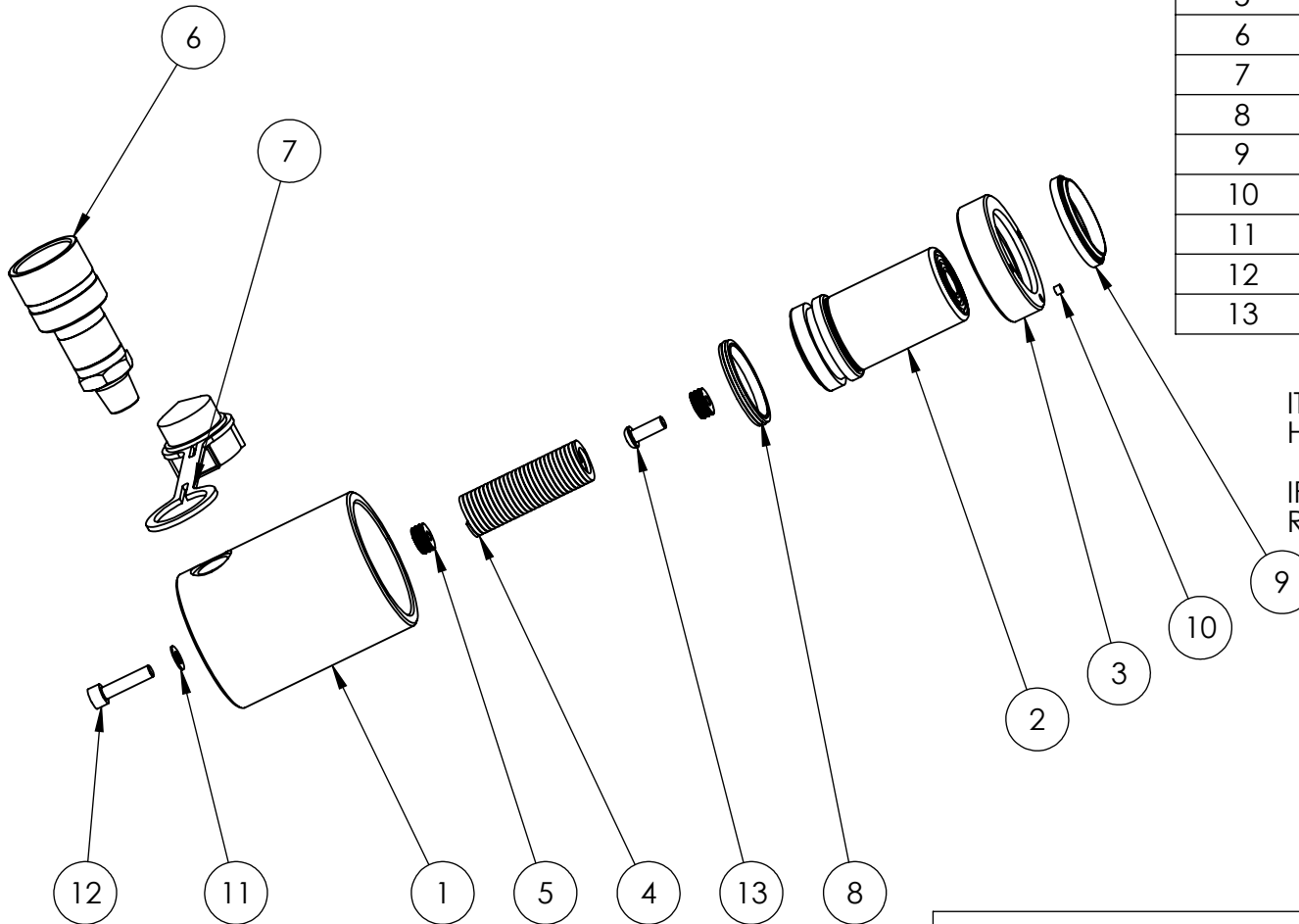


ITEM NO.	PART NUMBER	DESCRIPTION	QTY.
1	CBC043LC002	CYLINDER	1
2	PRC043FC002	PISTON	1
3	SRC038SE004	STOP RING	1
4	SPC022SD001	SPRING	1
5	SIC013TB001	INSERT	2
6	CF1	COUPLER	1
7	PPC1	DUST COVER	1
8	X	PISTON SEAL	1
9	X	WIPER	1
10	FFC004RC001	FILTER	1
11	X	WASHER	1
12	X	SOCKET CAP HD SCREW	1
13	X	BUTTON HEAD SCREW	1

REVISION	
1	
2	3956
3	
4	
5	
6	
7	
8	
9	
10	
11	
12	
13	
14	
15	
16	
17	
18	
19	
20	



ITEMS MARKED X ARE AVAILABLE IN SERVICE KIT  
HLS10TP2-K ONLY

IF SPRING IS REPLACED, INSERTS SHOULD ALSO BE  
REPLACED

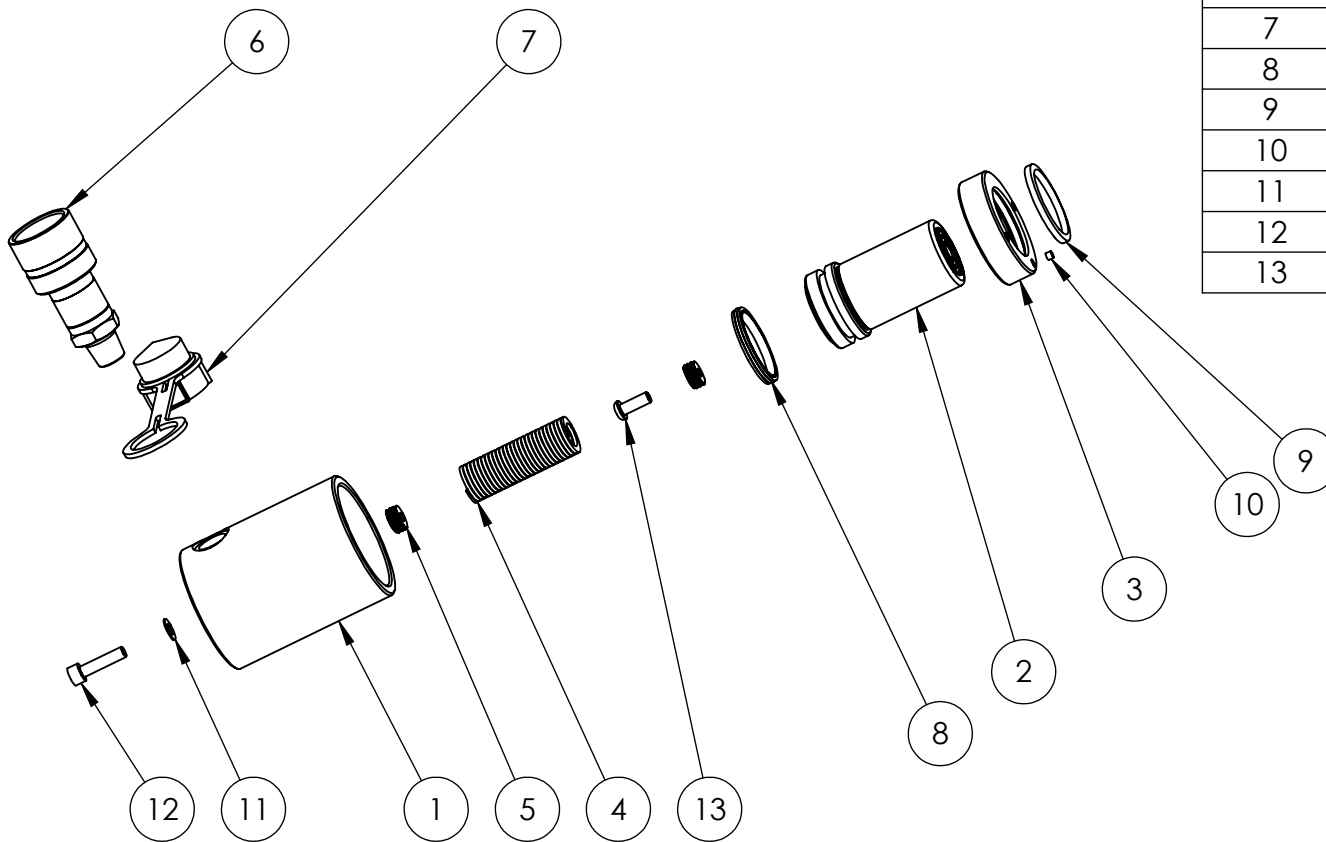
**IMPORTANT**  
WHEN ORDERING SPARES YOU MUST STATE THE FULL PART NUMBER AND THE  
PRODUCT SERIAL NUMBER - FROM THE LABEL  
TO PROTECT YOUR WARRANTY ALWAYS USE GENUINE HI-FORCE PARTS.

ITEM NO.	PART NUMBER	DESCRIPTION	QTY.
1	CBC043LC002	CYLINDER	1
2	PRC043FC001 (NOTE 2)	PISTON	1
3	SRC038SE002 (NOTE 2)	STOP RING	1
4	SPC022SD001	SPRING	1
5	SIC013TB001	INSERT	2
6	CF1	COUPLER	1
7	PPC1	DUST COVER	1
8	X	PISTON SEAL	1
9	X	WIPER	1
10	FFC004RC001	FILTER	1
11	X	WASHER	1
12	BLC006JD025	SOCKET CAP HD SCREW	1
13	BLC006JH016	BUTTON HEAD SCREW	1

REVISION

1 3956

2
3
4
5
6
7
8
9
10
11
12
13
14
15
16
17
18
19
20



NOTES

1. ITEMS MARKED X ARE AVAILABLE IN SERVICE KIT HLS10TP1-K ONLY.
2. OBSOLETE PARTS. REPLACE AS A PAIR WITH PRC043FC002 & SRC038SE004. ALSO ORDER REVISED SERVICE KIT HLS10TP2-K INSTEAD OF HLS10TP1-K KIT.
3. IF SPRING IS REPLACED, INSERTS SHOULD ALSO BE REPLACED.

**IMPORTANT**

WHEN ORDERING SPARES YOU MUST STATE THE FULL PART NUMBER AND THE PRODUCT SERIAL NUMBER - FROM THE LABEL TO PROTECT YOUR WARRANTY ALWAYS USE GENUINE HI-FORCE PARTS.