

ITEM NO.	PART NUMBER	DESCRIPTION	QTY.
1	CBC162MB002	CYLINDER	1
2	PRC162FB005	PISTON	1
3	SRC114WQ004	STOP RING	1
4	SPC077UD001	TENSION SPRING	1
5	SIC037EC002	INSERT	2
6	CF1	COUPLER	1
7	PPC1	DUST COVER	1
8	X	PISTON SEAL	1
9	X	WIPER	1
10	FFC004RC001	FILTER	1
11	X	WASHER	1
12	BLC006JD065	SOCKET CAP HD SCREW	1
13	BLC006JH025	BUTTON HEAD SCREW	1
14	BS4278-M12	EYEBOLT	2

REVISION

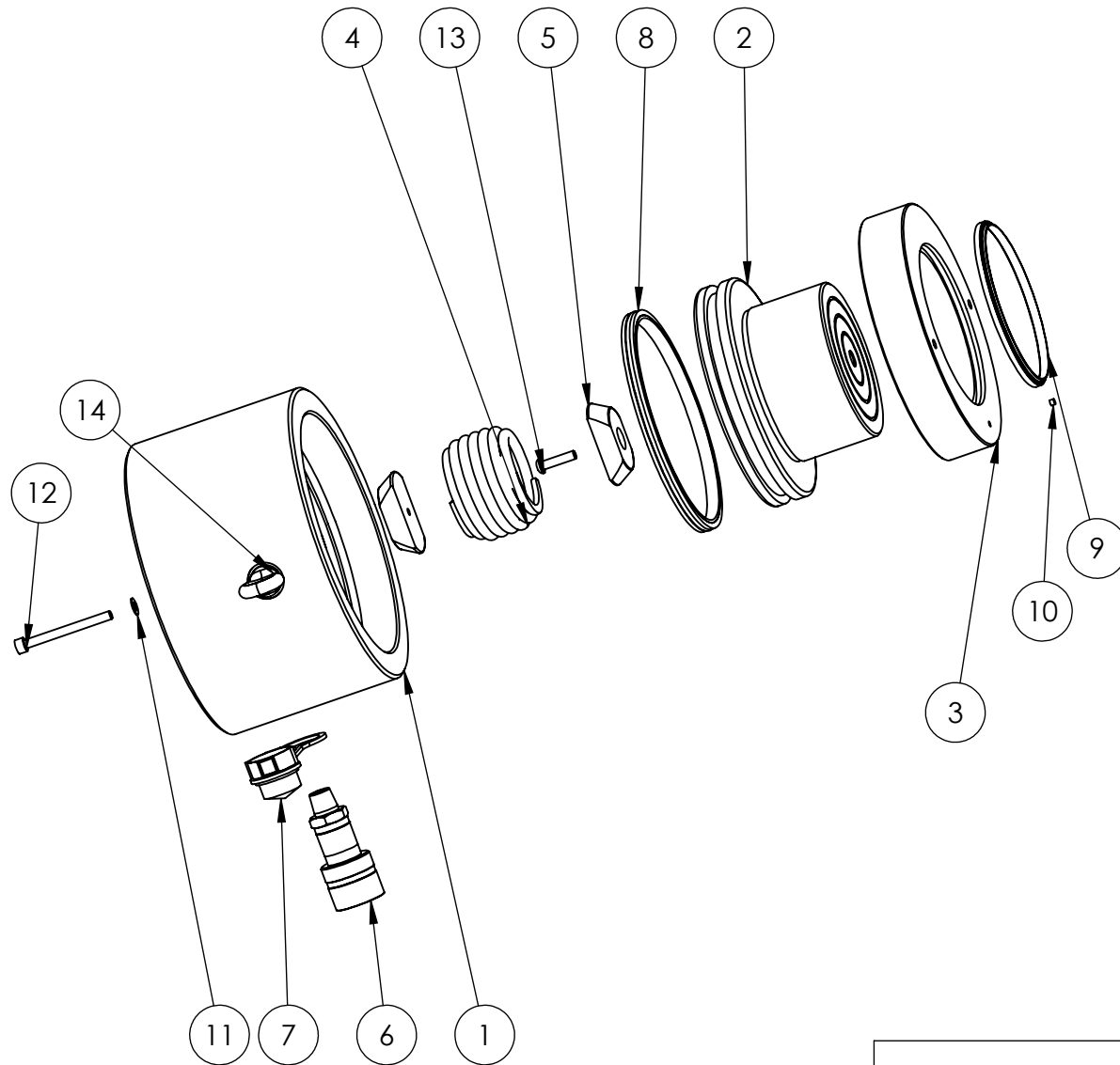
1	
2	
3	3956
4	4021
5	
6	
7	
8	
9	
10	
11	
12	
13	
14	
15	
16	
17	
18	
19	
20	

NOTES:

- ITEMS MARKED X ARE AVAILABLE IN SERVICE KIT HLS150TP2-K ONLY.

IMPORTANT

WHEN ORDERING SPARES YOU MUST STATE THE FULL PART NUMBER AND THE PRODUCT SERIAL NUMBER - FROM THE LABEL TO PROTECT YOUR WARRANTY ALWAYS USE GENUINE HI-FORCE PARTS.



ITEM NO.	PART NUMBER	DESCRIPTION	QTY.
1	CBC162MB002	CYLINDER	1
2	PRC162FB005	PISTON	1
3	SRC114WQ004	STOP RING	1
4	SPC077UD001	TENSION SPRING	1
5	SIC037EC001 (NOTE 2)	INSERT	2
6	CF1	COUPLER	1
7	PPC1	DUST COVER	1
8	X	PISTON SEAL	1
9	X	WIPER	1
10	FFC004RC001	FILTER	1
11	X	WASHER	1
12	BLC006JD065	SOCKET CAP HD SCREW	1
13	BLC006JH025	BUTTON HEAD SCREW	1
14	BS4278-M12	EYEBOLT	2

REVISION

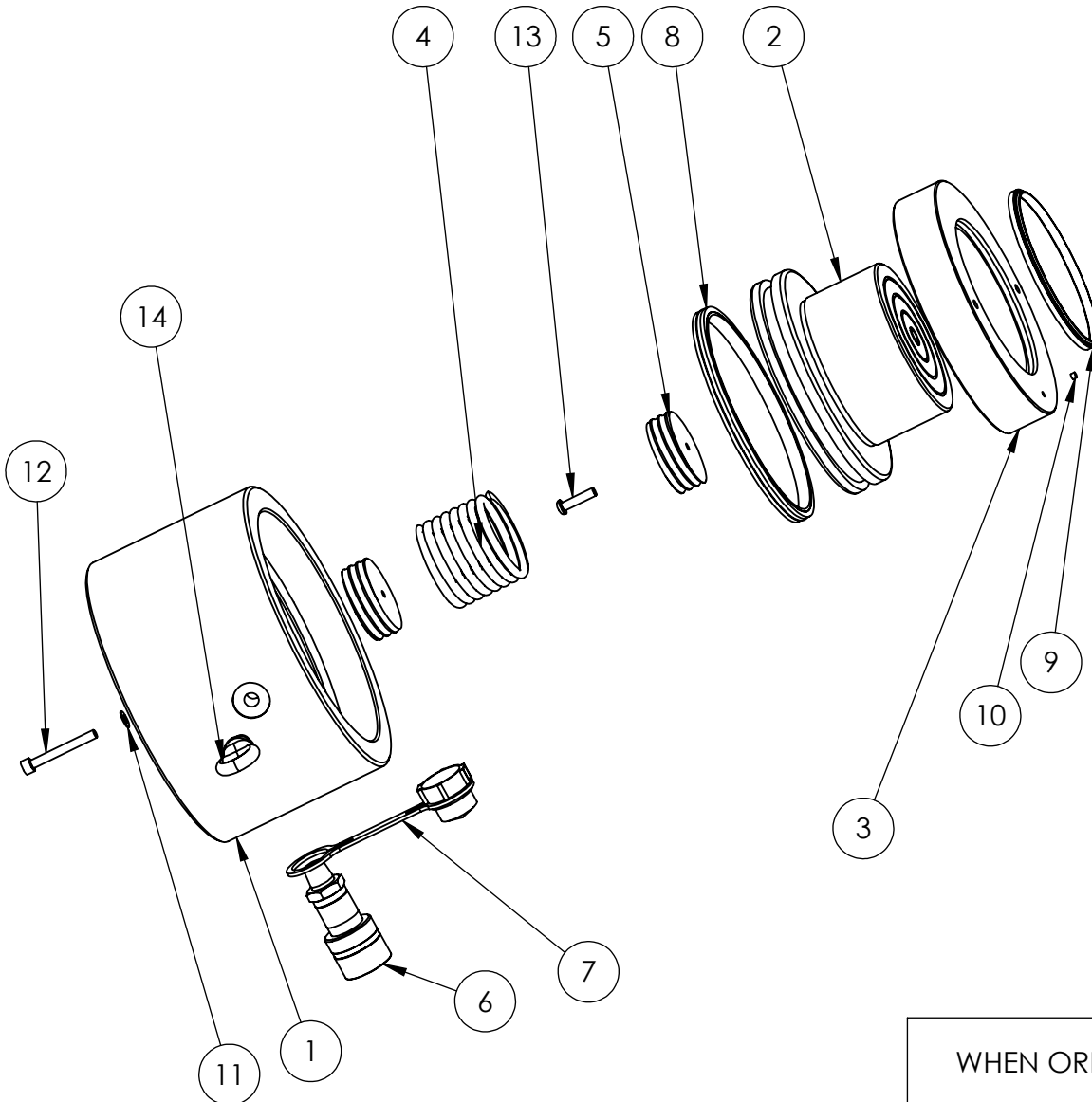
1	
2	
3	3956
4	
5	
6	
7	
8	
9	
10	
11	
12	
13	
14	
15	
16	
17	
18	
19	
20	

NOTES:

1. ITEMS MARKED X ARE AVAILABLE IN SERVICE KIT HLS150TP2-K ONLY.
2. PART NUMBER SIC037EC001 IS NOW OBSOLETE PLEASE ORDER PART NUMBER SIC037EC002.

IMPORTANT

WHEN ORDERING SPARES YOU MUST STATE THE FULL PART NUMBER AND THE PRODUCT SERIAL NUMBER - FROM THE LABEL TO PROTECT YOUR WARRANTY ALWAYS USE GENUINE HI-FORCE PARTS.



ITEM NO.	PART NUMBER	DESCRIPTION	QTY.
1	CBC162MB001	CYLINDER	1
2	PRC162FB004 (NOTE 2)	PISTON	1
3	SRC114WQ004	STOP RING	1
4	SPC065TC002	SPRING	1
5	SIC053TD001	INSERT	2
6	CF1	COUPLER	1
7	PPC1	DUST COVER	1
8	X	PISTON SEAL	1
9	X	WIPER	1
10	FFC004RC001	FILTER	1
11	X	WASHER	1
12	BLC006JD050	SOCKET CAP HD SCREW	1
13	BLC006JH025	BUTTON HEAD SCREW	1
14	BS4278-M12	EYEBOLT	2

REVISION

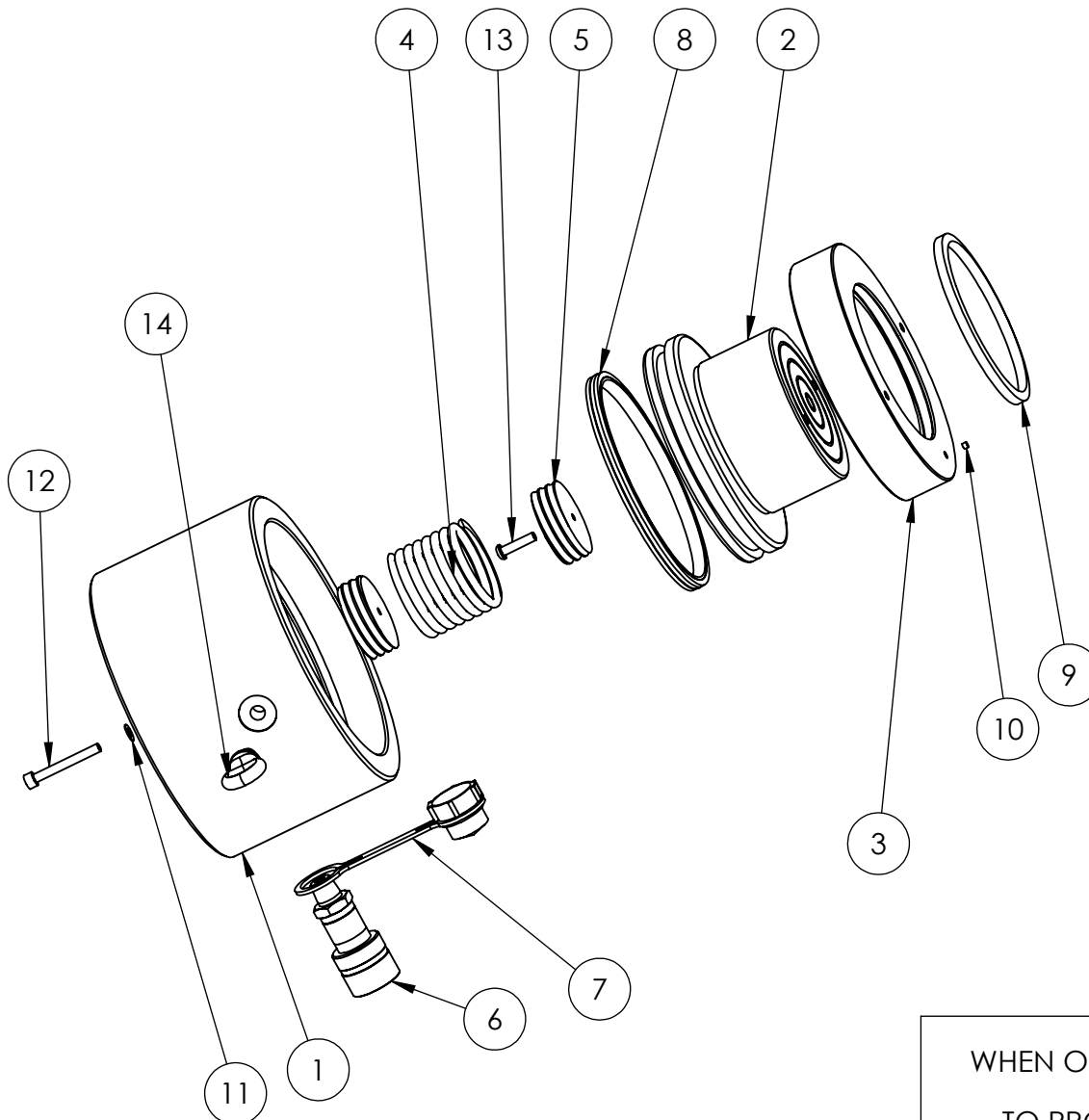
1	
2	3956
3	
4	
5	
6	
7	
8	
9	
10	
11	
12	
13	
14	
15	
16	
17	
18	
19	
20	

NOTES:

1. ITEMS MARKED X ARE AVAILABLE IN SERVICE KIT HLS150TP2-K ONLY
2. OBSOLETE PART. REPLACE WITH PRC162FB005.
3. IF SPRING IS REPLACED, INSERTS SHOULD ALSO BE REPLACED.

IMPORTANT

WHEN ORDERING SPARES YOU MUST STATE THE FULL PART NUMBER AND THE PRODUCT SERIAL NUMBER - FROM THE LABEL TO PROTECT YOUR WARRANTY ALWAYS USE GENUINE HI-FORCE PARTS.



ITEM NO.	PART NUMBER	DESCRIPTION	QTY.
1	CBC162MB001	CYLINDER	1
2	PRC162FB001 (NOTE 2)	PISTON	1
3	SRC114WQ001 (NOTE 2)	STOP RING	1
4	SPC065TC002	SPRING	1
5	SIC053TD001	INSERT	2
6	CF1	COUPLER	1
7	PPC1	DUST COVER	1
8	X	PISTON SEAL	1
9	X	WIPER	1
10	FFC004RC001	FILTER	1
11	X	WASHER	1
12	BLC006JD050	SOCKET CAP HD SCREW	1
13	BLC006JH025	BUTTON HEAD SCREW	1
14	BS4278-M12	EYEBOLT	2

REVISION

1 3956

2
3
4
5
6
7
8
9
10
11
12
13
14
15
16
17
18
19
20

NOTES:

1. ITEMS MARKED X ARE AVAILABLE IN SERVICE KIT HLS150TP1-K ONLY
2. OBSOLETE PARTS. REPLACE AS A PAIR WITH PRC162FB005 AND SRC114WQ004. ALSO ORDER REVISED SERVICE KIT HLS150TP2-K INSTEAD OF HLS150TP1-K KIT
3. IF SPRING IS REPLACED, INSERTS SHOULD ALSO BE REPLACED.

IMPORTANT

WHEN ORDERING SPARES YOU MUST STATE THE FULL PART NUMBER AND THE PRODUCT SERIAL NUMBER - FROM THE LABEL TO PROTECT YOUR WARRANTY ALWAYS USE GENUINE HI-FORCE PARTS.