

| ITEM NO. | PART NUMBER | DESCRIPTION         | QTY. |
|----------|-------------|---------------------|------|
| 1        | CBC162MC002 | CYLINDER            | 1    |
| 2        | PRC162FC003 | PISTON              | 1    |
| 3        | SRC114WQ004 | STOP RING           | 1    |
| 4        | SPC077UD002 | TENSION SPRING      | 1    |
| 5        | SIC037EC002 | INSERT              | 2    |
| 6        | CF1         | COUPLER             | 1    |
| 7        | PPC1        | DUST COVER          | 1    |
| 8        | X           | PISTON SEAL         | 1    |
| 9        | X           | WIPER               | 1    |
| 10       | FFC004RC001 | FILTER              | 1    |
| 11       | X           | WASHER              | 1    |
| 12       | BLC006JD065 | SOCKET CAP HD SCREW | 1    |
| 13       | BLC006JH025 | BUTTON HEAD SCREW   | 1    |
| 14       | BS4278-M12  | EYEBOLT             | 2    |

REVISION

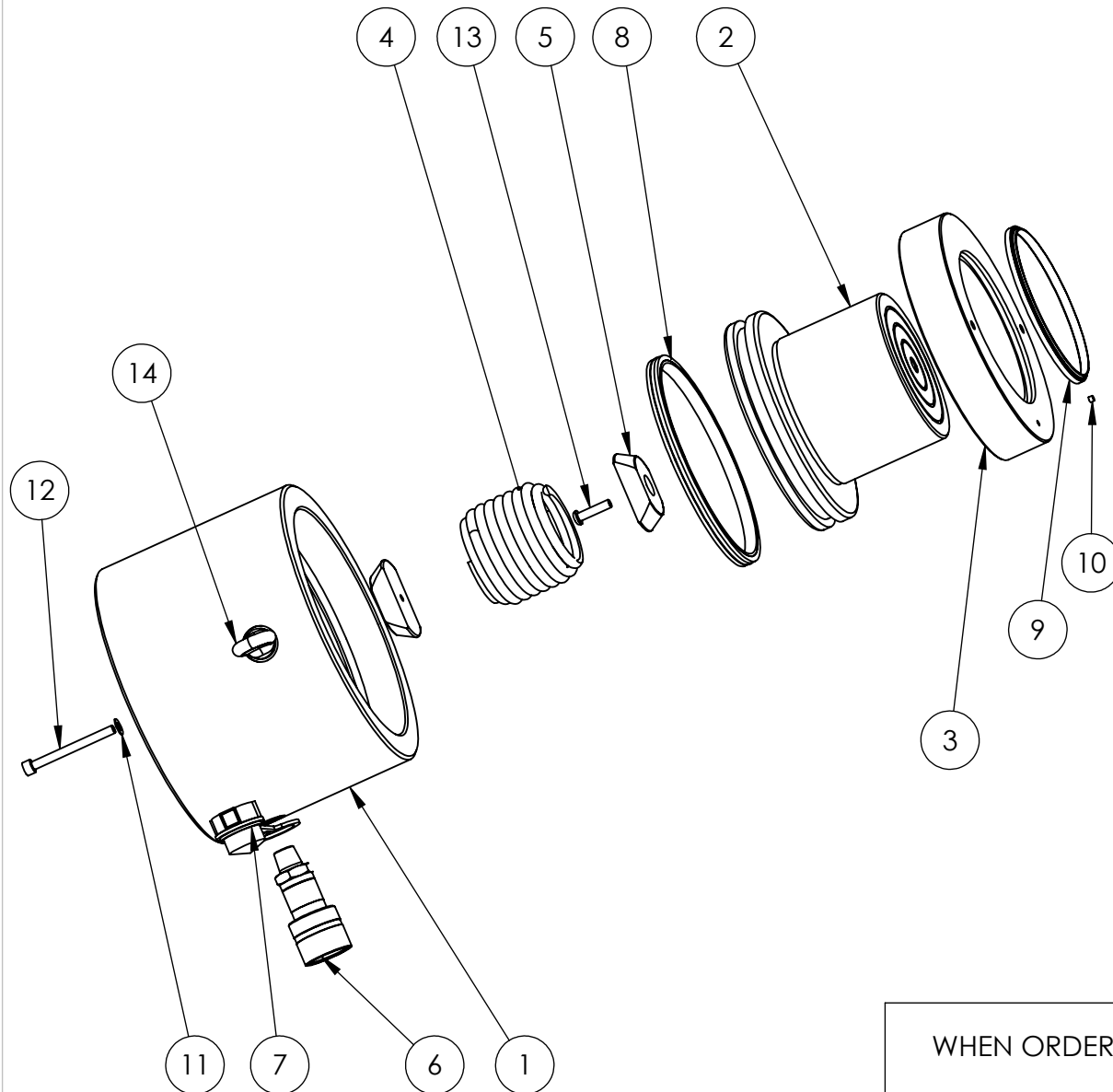
|    |      |
|----|------|
| 1  |      |
| 2  |      |
| 3  | 3956 |
| 4  | 4021 |
| 5  |      |
| 6  |      |
| 7  |      |
| 8  |      |
| 9  |      |
| 10 |      |
| 11 |      |
| 12 |      |
| 13 |      |
| 14 |      |
| 15 |      |
| 16 |      |
| 17 |      |
| 18 |      |
| 19 |      |
| 20 |      |

NOTES:

- ITEMS MARKED X ARE AVAILABLE IN SERVICE KIT HLS150TP2-K ONLY.

**IMPORTANT**

WHEN ORDERING SPARES YOU MUST STATE THE FULL PART NUMBER AND THE PRODUCT SERIAL NUMBER - FROM THE LABEL TO PROTECT YOUR WARRANTY ALWAYS USE GENUINE HI-FORCE PARTS.



| ITEM NO. | PART NUMBER             | DESCRIPTION         | QTY. |
|----------|-------------------------|---------------------|------|
| 1        | CBC162MC002             | CYLINDER            | 1    |
| 2        | PRC162FC003             | PISTON              | 1    |
| 3        | SRC114WQ004             | STOP RING           | 1    |
| 4        | SPC077UD002             | TENSION SPRING      | 1    |
| 5        | SIC037EC001<br>(NOTE 2) | INSERT              | 2    |
| 6        | CF1                     | COUPLER             | 1    |
| 7        | PPC1                    | DUST COVER          | 1    |
| 8        | X                       | PISTON SEAL         | 1    |
| 9        | X                       | WIPER               | 1    |
| 10       | FFC004RC001             | FILTER              | 1    |
| 11       | X                       | WASHER              | 1    |
| 12       | BLC006JD065             | SOCKET CAP HD SCREW | 1    |
| 13       | BLC006JH025             | BUTTON HEAD SCREW   | 1    |
| 14       | BS4278-M12              | EYEBOLT             | 2    |

REVISION

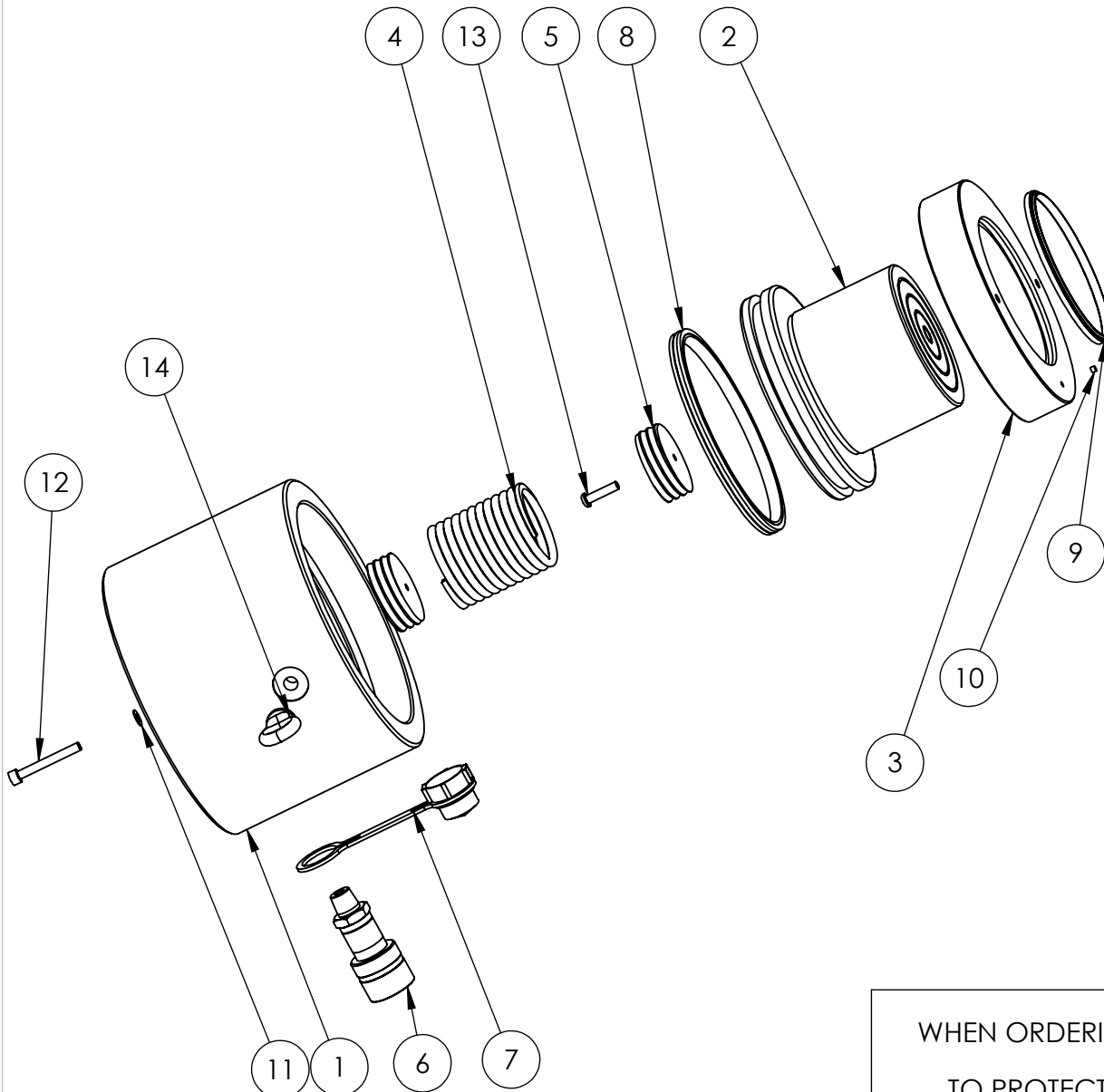
|    |      |
|----|------|
| 1  |      |
| 2  |      |
| 3  | 3956 |
| 4  |      |
| 5  |      |
| 6  |      |
| 7  |      |
| 8  |      |
| 9  |      |
| 10 |      |
| 11 |      |
| 12 |      |
| 13 |      |
| 14 |      |
| 15 |      |
| 16 |      |
| 17 |      |
| 18 |      |
| 19 |      |
| 20 |      |

NOTES:

1. ITEMS MARKED X ARE AVAILABLE IN SERVICE KIT HLS150TP2-K ONLY.
2. PART NUMBER SIC037EC001 IS NOW OBSOLETE PLEASE ORDER PART NUMBER SIC037EC002.

**IMPORTANT**

WHEN ORDERING SPARES YOU MUST STATE THE FULL PART NUMBER AND THE PRODUCT SERIAL NUMBER - FROM THE LABEL TO PROTECT YOUR WARRANTY ALWAYS USE GENUINE HI-FORCE PARTS.



| ITEM NO. | PART NUMBER             | DESCRIPTION         | QTY. |
|----------|-------------------------|---------------------|------|
| 1        | CBC162MC001             | CYLINDER            | 1    |
| 2        | PRC162FC002<br>(NOTE 2) | PISTON              | 1    |
| 3        | SRC114WQ004             | STOP RING           | 1    |
| 4        | SPC065TD001             | SPRING              | 1    |
| 5        | SIC053TD001             | INSERT              | 2    |
| 6        | CF1                     | COUPLER             | 1    |
| 7        | PPC1                    | DUST COVER          | 1    |
| 8        | X                       | PISTON SEAL         | 1    |
| 9        | X                       | WIPER               | 1    |
| 10       | FFC004RC001             | FILTER              | 1    |
| 11       | X                       | WASHER              | 1    |
| 12       | BLC006JD050             | SOCKET CAP HD SCREW | 1    |
| 13       | BLC006JH025             | BUTTON HEAD SCREW   | 1    |
| 14       | BS4278-M12              | EYEBOLT             | 2    |

REVISION

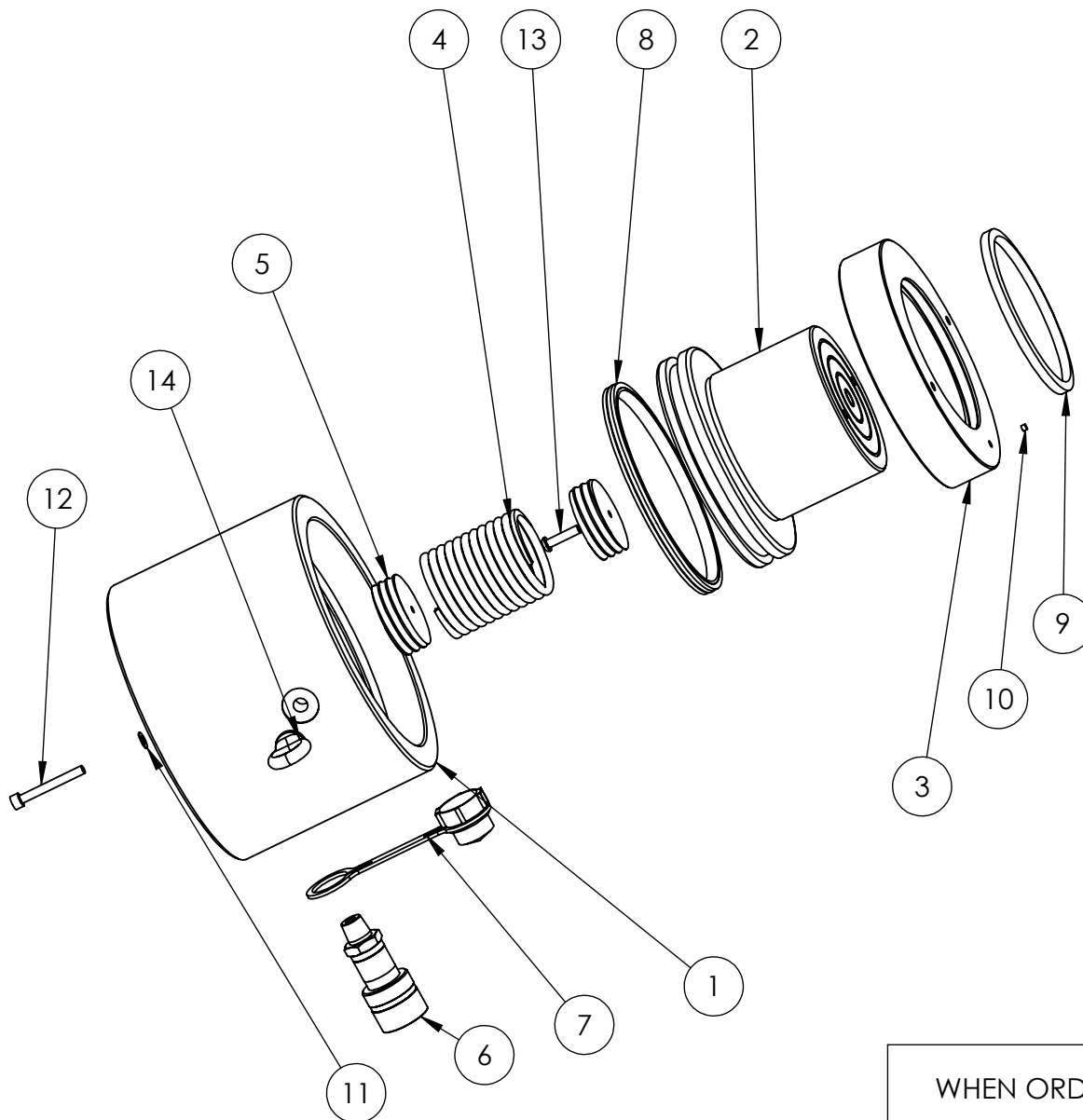
|    |      |
|----|------|
| 1  |      |
| 2  | 3956 |
| 3  |      |
| 4  |      |
| 5  |      |
| 6  |      |
| 7  |      |
| 8  |      |
| 9  |      |
| 10 |      |
| 11 |      |
| 12 |      |
| 13 |      |
| 14 |      |
| 15 |      |
| 16 |      |
| 17 |      |
| 18 |      |
| 19 |      |
| 20 |      |

NOTES:

1. ITEMS MARKED X ARE AVAILABLE IN SERVICE KIT HLS150TP2-K ONLY.
2. OBSOLETE PART. WITH PRC162FC003
3. IF SPRING IS REPLACED, ISERTS SHOULD BE REPLACED ALSO.

**IMPORTANT**

WHEN ORDERING SPARES YOU MUST STATE THE FULL PART NUMBER AND THE PRODUCT SERIAL NUMBER - FROM THE LABEL TO PROTECT YOUR WARRANTY ALWAYS USE GENUINE HI-FORCE PARTS.



| ITEM NO. | PART NUMBER             | DESCRIPTION         | QTY. |
|----------|-------------------------|---------------------|------|
| 1        | CBC162MC001             | CYLINDER            | 1    |
| 2        | PRC162FC001<br>(NOTE 2) | PISTON              | 1    |
| 3        | SRC114WQ001<br>(NOTE 2) | STOP RING           | 1    |
| 4        | SPC065TD001             | SPRING              | 1    |
| 5        | SIC053TD001             | INSERT              | 2    |
| 6        | CF1                     | COUPLER             | 1    |
| 7        | PPC1                    | DUST COVER          | 1    |
| 8        | X                       | PISTON SEAL         | 1    |
| 9        | X                       | WIPER               | 1    |
| 10       | FFC004RC001             | FILTER              | 1    |
| 11       | X                       | WASHER              | 1    |
| 12       | BLC006JD050             | SOCKET CAP HD SCREW | 1    |
| 13       | BLC006JH025             | BUTTON HEAD SCREW   | 1    |
| 14       | BS4278-M12              | EYEBOLT             | 2    |

REVISION

1 3956

2

3

4

5

6

7

8

9

10

11

12

13

14

15

16

17

18

19

20

**NOTES:**

1. ITEMS MARKED X ARE AVAILABLE IN SERVICE KIT HLS150TP1-K ONLY.
2. OBSOLETE PARTS. REPLACE AS A PAIR WITH PRC162FC003 AND SRC114WQ004. ALSO ORDER REVISED SEWRVICE KIT HLS150TP2-K INSTEAD OF HLS150TP1-K
3. IF SPRING IS REPLACED, ISERTS SHOULD BE REPLACED ALSO.

**IMPORTANT**

WHEN ORDERING SPARES YOU MUST STATE THE FULL PART NUMBER AND THE PRODUCT SERIAL NUMBER - FROM THE LABEL TO PROTECT YOUR WARRANTY ALWAYS USE GENUINE HI-FORCE PARTS.