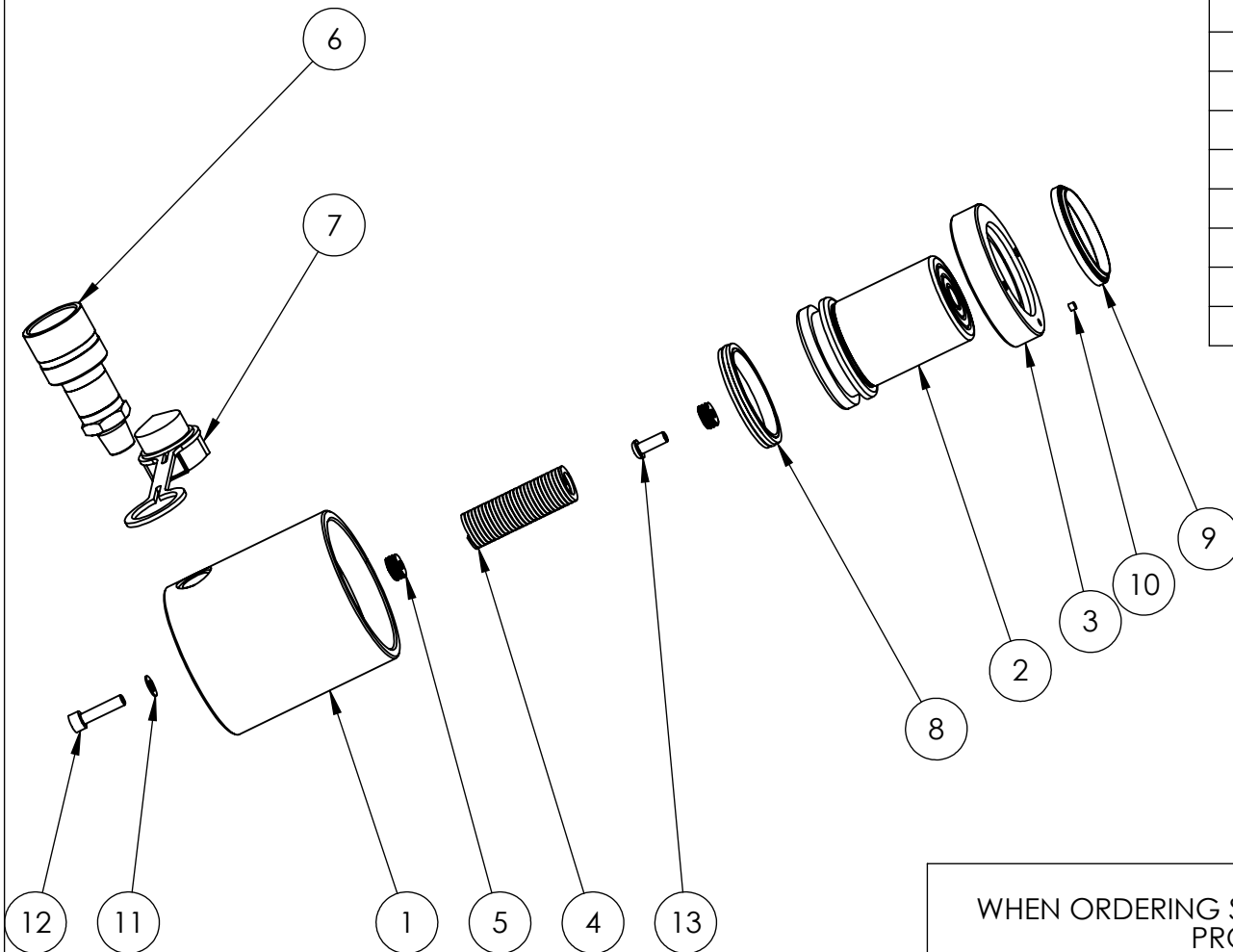


REVISION

ITEM NO.	PART NUMBER	DESCRIPTION	QTY.	2	3956
1	CBC060LC003	CYLINDER	1	3	
2	PRC060FC002	PISTON	1	4	
3	SRC051SG005	STOP RING	1	5	
4	SPC022SD001	SPRING	1	6	
5	SIC013TB001	INSERT	2	7	
6	CF1	COUPLER	1	8	
7	PPC1	DUST COVER	1	9	
8	X	PISTON SEAL	1	10	
9	X	WIPER	1	11	
10	FFC004RC001	FILTER	1	12	
11	X	WASHER	1	13	
12	X	SOCKET CAP HD SCREW	1	14	
13	X	BUTTON HEAD SCREW	1	15	



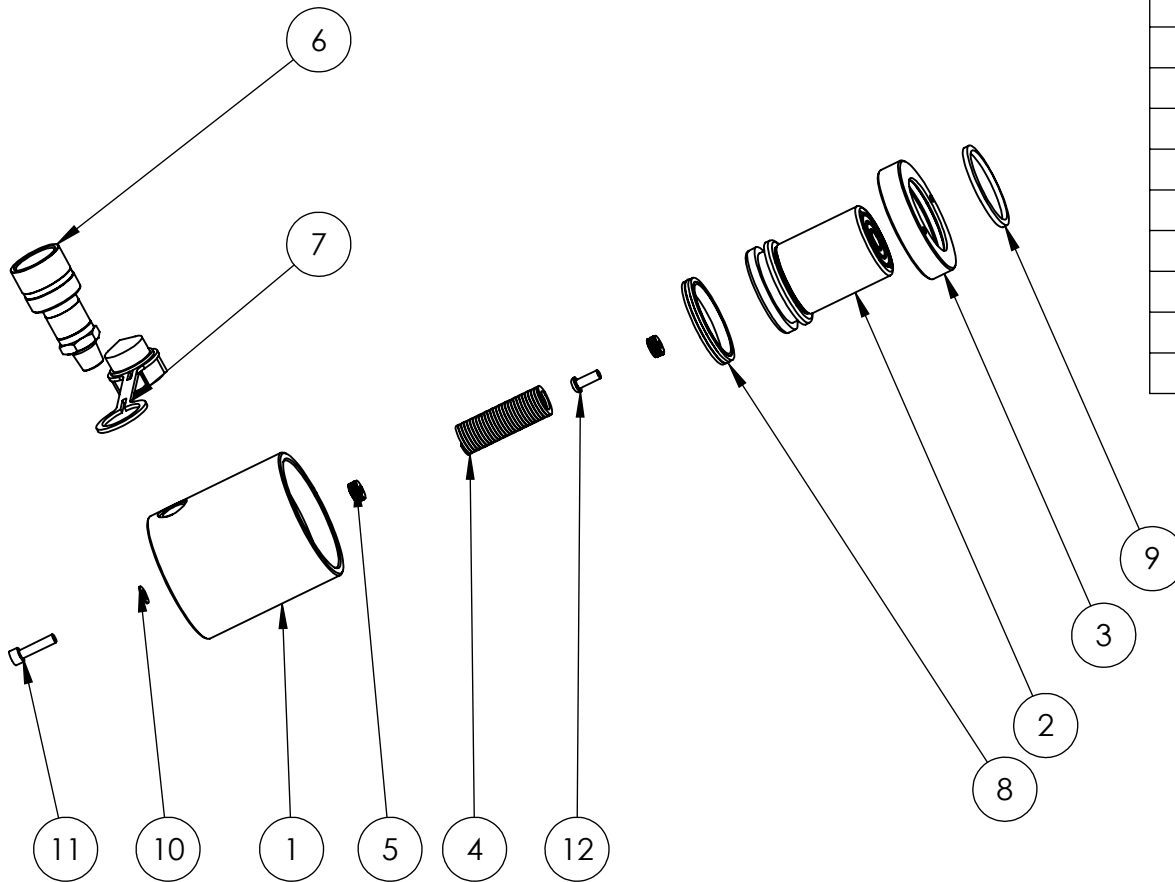
ITEMS MARKED X ARE AVAILABLE IN SERVICE KIT
HLS20TP2-K ONLY

WHEN REPLACING SPRING, INSERTS SHOULD ALSO
BE REPLACED.

IMPORTANT

WHEN ORDERING SPARES YOU MUST STATE THE FULL PART NUMBER AND THE
PRODUCT SERIAL NUMBER - FROM THE LABEL
TO PROTECT YOUR WARRANTY ALWAYS USE GENUINE HI-FORCE PARTS.

ITEM NO.	PART NUMBER	DESCRIPTION	QTY.
1	CBC060LC003	CYLINDER	1
2	PRC060FC001 (NOTE 2)	PISTON	1
3	SRC051SG002 (NOTES 2 & 3)	STOP RING	1
4	SPC022SD001	SPRING	1
5	SIC013TB001	INSERT	2
6	CF1	COUPLER	1
7	PPC1	DUST COVER	1
8	X	PISTON SEAL	1
9	X	WIPER	1
10	X	WASHER	1
11	BLC006JD025	SOCKET CAP HD SCREW	1
12	BLC006JH016	BUTTON HEAD SCREW	1



NOTES:

1. ITEMS MARKED X ARE AVAILABLE IN SERVICE KIT HLS20TP1-K ONLY
2. OBSOLETE PARTS. REPLACE AS A PAIR WITH PRC060FC002 & SRC051SG005 ALSO ORDER REVISED SERVICE KIT HLS20TP2-K INSTEAD OF HLS20TP1-K KIT. FILTER FFC004RC001 ALSO REQUIRED.
3. EARLIER MODELS HAVE FILTER FFC004RC001 FITTED TO STOP RING.
4. IF SPRING IS REPLACED, INSERTS SHOULD ALSO BE REPLACED.

IMPORTANT

WHEN ORDERING SPARES YOU MUST STATE THE FULL PART NUMBER AND THE PRODUCT SERIAL NUMBER - FROM THE LABEL TO PROTECT YOUR WARRANTY ALWAYS USE GENUINE HI-FORCE PARTS.