

ITEM NO.	PART NUMBER	DESCRIPTION	QTY.
1	CBC076MB001	CYLINDER	1
2	PRC076FB003	PISTON	1
3	SRC060SG003	STOP RING	1
4	SPC038TC001	SPRING	1
5	SIC029TC001	SPRING INSERT	2
6	CF1	COUPLER	1
7	PPC1	DUST COVER	1
8	X	PISTON SEAL	1
9	X	WIPER	1
10	FFC004RC001	FILTER	1
11	X	WASHER	1
12	BLC006JD025	SOCKET CAP HD SCREW	1
13	BLC006JH025	BUTTON HEAD SCREW	1

REVISION

1	
2	3956
3	4099
4	
5	
6	
7	
8	
9	
10	
11	
12	
13	
14	
15	
16	
17	
18	
19	
20	

NOTES:

1. ITEMS MARKED X ARE AVAILABLE IN SERVICE KIT HLS30TP2-K ONLY
2. IF SPRING IS REPLACED, INSERTS SHOULD ALSO BE REPLACED.

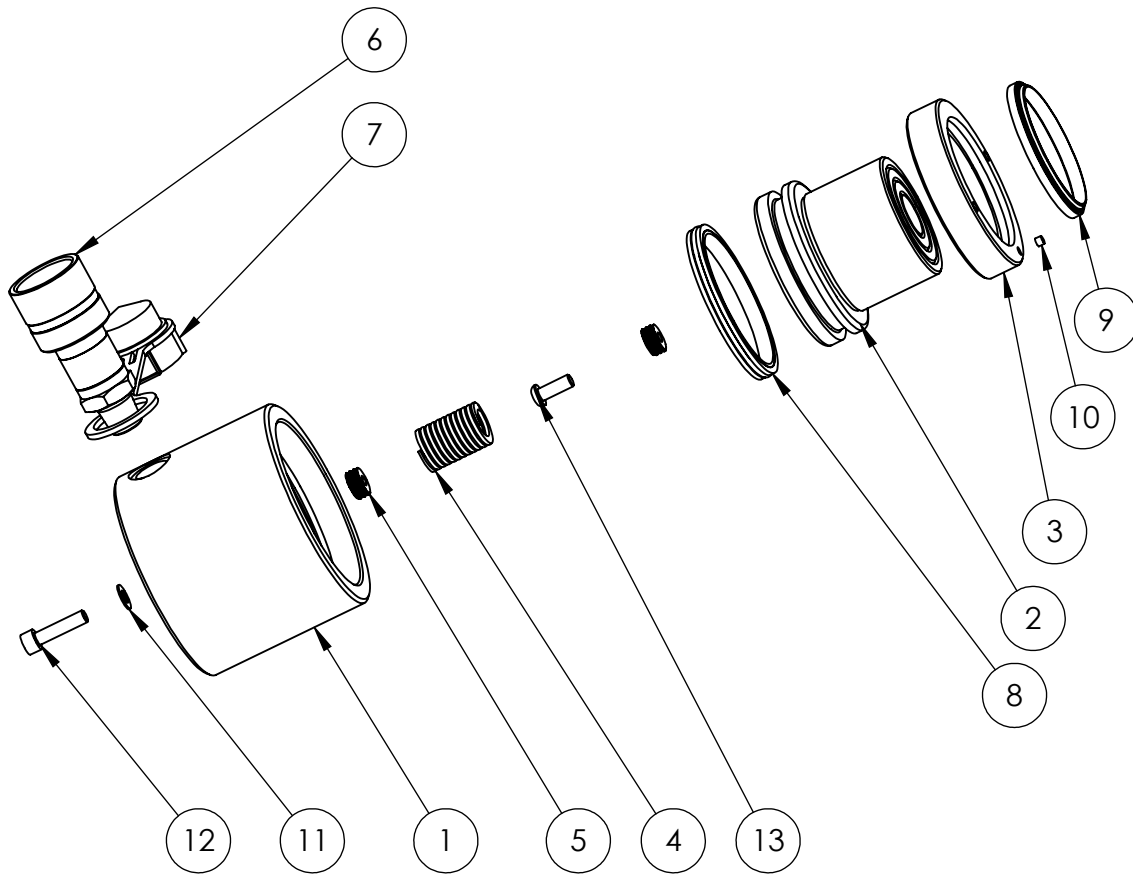
IMPORTANT

WHEN ORDERING SPARES YOU MUST STATE THE FULL PART NUMBER AND THE PRODUCT SERIAL NUMBER - FROM THE LABEL TO PROTECT YOUR WARRANTY ALWAYS USE GENUINE HI-FORCE PARTS.

REVISION

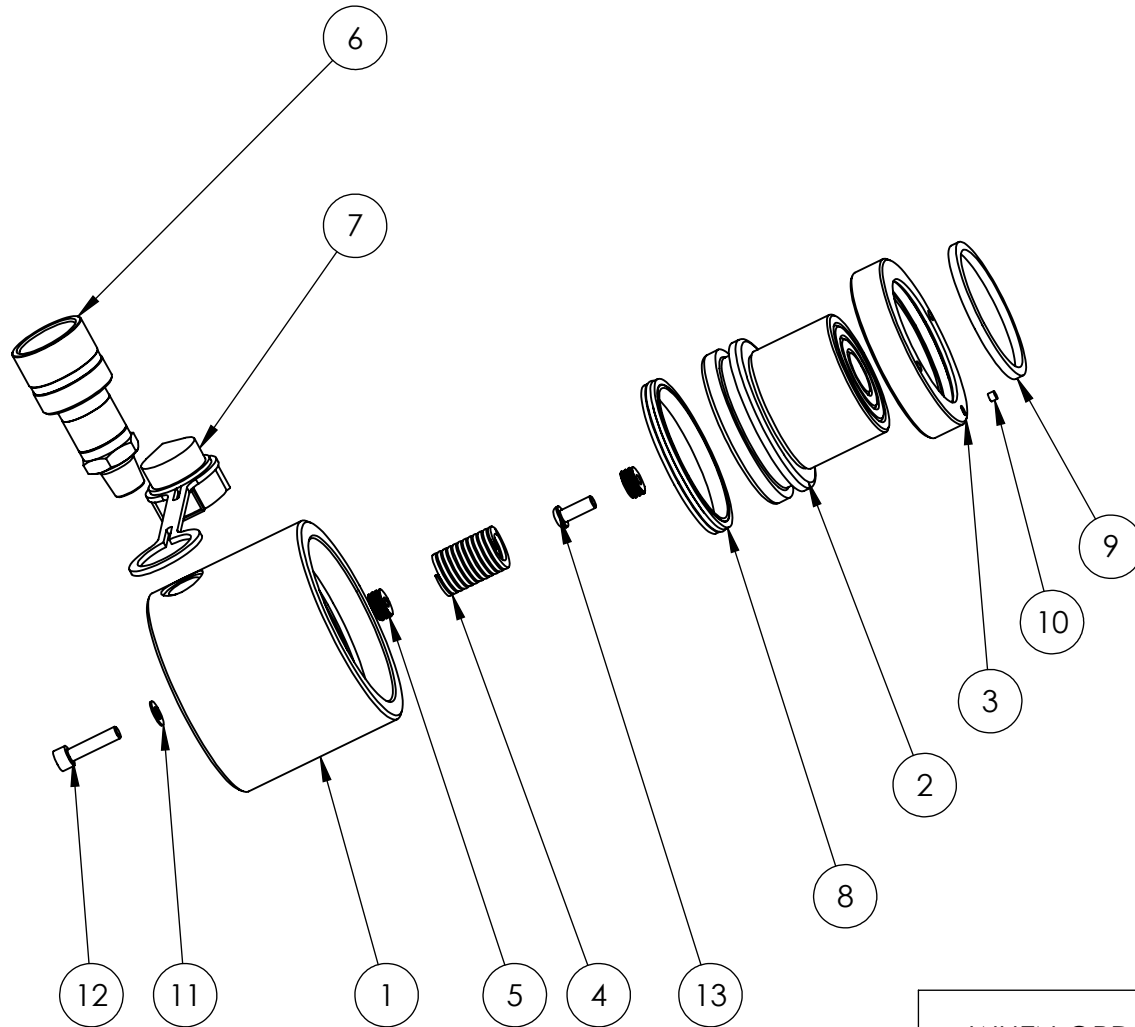
1	
2	3956
3	
4	
5	
6	
7	
8	
9	
10	
11	
12	
13	
14	
15	
16	
17	
18	
19	
20	

ITEM NO.	PART NUMBER	DESCRIPTION	QTY.
1	CBC076MB001	CYLINDER	1
2	PRC076FB002	PISTON	1
3	SRC060SG003	STOP RING	1
4	SPC022SB002	SPRING	1
5	SIC013TB001	INSERT	2
6	CF1	COUPLER	1
7	PPC1	DUST COVER	1
8	X	PISTON SEAL	1
9	X	WIPER	1
10	FFC004RC001	FILTER	1
11	X	WASHER	1
12	X	SOCKET CAP HD SCREW	1
13	X	BUTTON HEAD SCREW	1



ITEMS MARKED X ARE AVAILABLE IN SERVICE KIT HLS30TP2-K ONLY
IF SPRING IS REPLACED, INSERTS SHOULD ALSO BE REPLACED.

IMPORTANT
WHEN ORDERING SPARES YOU MUST STATE THE FULL PART NUMBER AND THE
PRODUCT SERIAL NUMBER - FROM THE LABEL
TO PROTECT YOUR WARRANTY ALWAYS USE GENUINE HI-FORCE PARTS.



ITEM NO.	PART NUMBER	DESCRIPTION	QTY.
1	CBC076MB001	CYLINDER	1
2	PRC076FB001 (NOTE 2)	PISTON	1
3	SRC060SG002 (NOTE 2)	STOP RING	1
4	SPC022SB002 (NOTE 2)	SPRING	1
5	SIC013TB001 (NOTE 2)	INSERT	2
6	CF1	COUPLER	1
7	PPC1	DUST COVER	1
8	X	PISTON SEAL	1
9	X	WIPER	1
10	FFC004RC001	FILTER	1
11	X	WASHER	1
12	BLC006JD025	SOCKET CAP HD SCREW	1
13	BLC006JH016 (NOTE 2)	BUTTON HEAD SCREW	1

REVISION

1 3956

2
3
4
5
6
7
8
9
10
11
12
13
14
15
16
17
18
19
20

NOTES:

1. ITEMS MARKED X ARE AVAILABLE IN SERVICE KIT HLS30TP1-K ONLY
2. OBSOLETE PARTS. THE FOLLOWING PARTS WILL NEED TO BE ORDERED: 1 x PRC076FB003, 1 x SRC060SG003, 1 x SPC038TC001, 2 x SIC029TC001, 1 x BLC006JH025, AND REVISED SERVICE KIT HLS30TP2-K INSTEAD OF HLS30TP1-K
3. IF SPRING IS REPLACED, INSERTS SHOULD ALSO BE REPLACED.

IMPORTANT

WHEN ORDERING SPARES YOU MUST STATE THE FULL PART NUMBER AND THE PRODUCT SERIAL NUMBER - FROM THE LABEL TO PROTECT YOUR WARRANTY ALWAYS USE GENUINE HI-FORCE PARTS.