

ITEM NO.	PART NUMBER	DESCRIPTION	QTY.
1	CBC095LD002	CYLINDER	1
2	PRC095FD002	PISTON	1
3	SRC070SJ003	STOP RING	1
4	SPC058TD002	SPRING	1
5	SIC015ED001	INSERT	2
6	CF1	COUPLER	1
7	PPC1	DUST COVER	1
8	X	PISTON SEAL	1
9	X	WIPER	1
10	FFC004RC001	FILTER	1
11	X	WASHER	1
12	BLC006JD040	SOCKET CAP HD SCREW	1
13	BLC006JH025	BUTTON HEAD SCREW	1

NOTES:

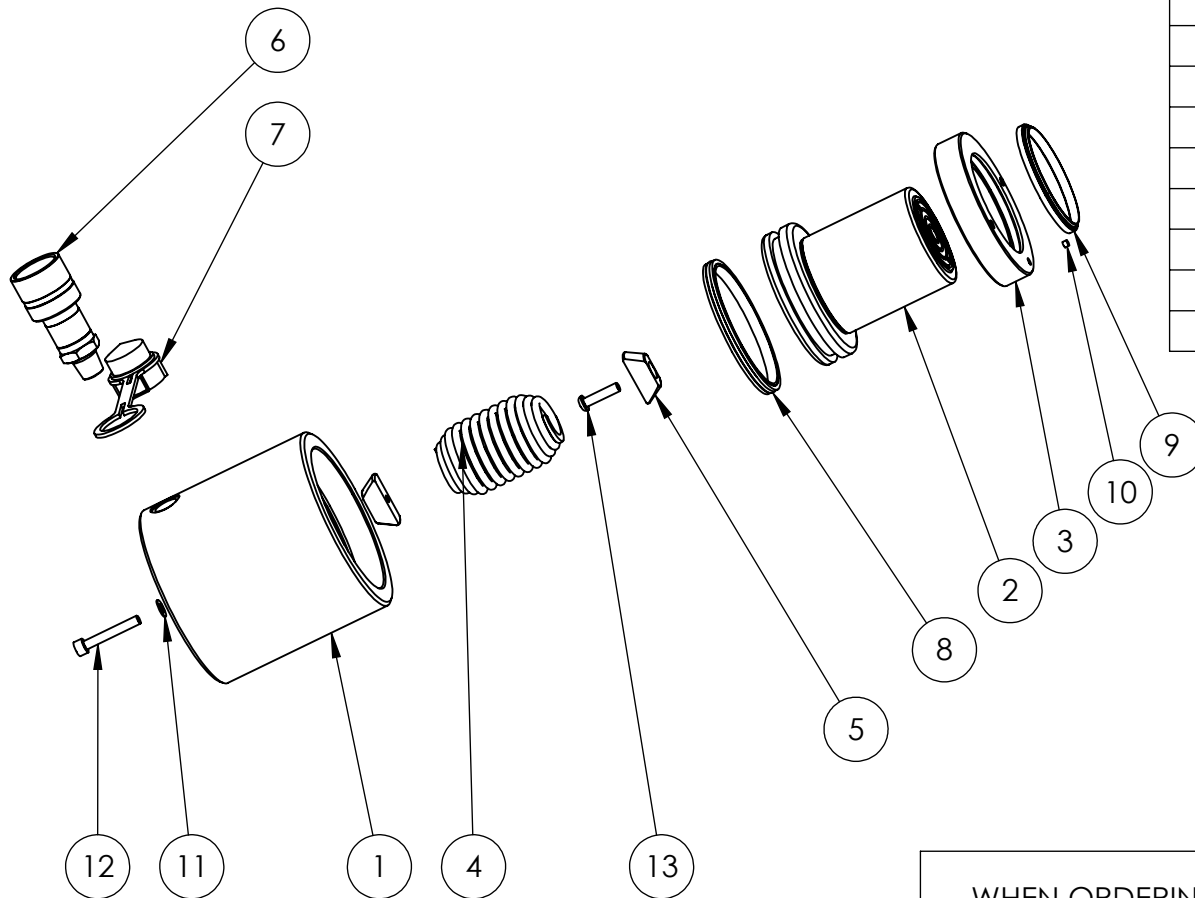
- ITEMS MARKED X ARE AVAILABLE IN SERVICE KIT HLS50TP2-K ONLY.

REVISION

1	
2	3956
3	
4	
5	
6	
7	
8	
9	
10	
11	
12	
13	
14	
15	
16	
17	
18	
19	
20	

IMPORTANT

WHEN ORDERING SPARES YOU MUST STATE THE FULL PART NUMBER AND THE PRODUCT SERIAL NUMBER - FROM THE LABEL TO PROTECT YOUR WARRANTY ALWAYS USE GENUINE HI-FORCE PARTS.



ITEM NO.	PART NUMBER	DESCRIPTION	QTY.
1	CBC095LD002	CYLINDER	1
2	PRC095FD001 (NOTE 2)	PISTON	1
3	SRC070SJ002 (NOTE 2)	STOP RING	1
4	SPC058TD002	SPRING	1
5	SIC015ED001	INSERT	2
6	CF1	COUPLER	1
7	PPC1	DUST COVER	1
8	X	PISTON SEAL	1
9	X	WIPER	1
10	FFC004RC001	FILTER	1
11	X	WASHER	1
12	BLC006JD040	SOCKET CAP HD SCREW	1
13	BLC006JH025	BUTTON HEAD SCREW	1

NOTES:

1. ITEMS MARKED X ARE AVAILABLE IN SERVICE KIT HLS50TP1-K ONLY
2. OBSOLETE PARTS. REPLACE AS A PAIR WITH PRC095FD002 AND SRC070SJ003. ALSO ORDER REVISED SERVICE KIT HLS50TP2-K INSTEAD OF HLS50TP1-K

IMPORTANT

WHEN ORDERING SPARES YOU MUST STATE THE FULL PART NUMBER AND THE PRODUCT SERIAL NUMBER - FROM THE LABEL TO PROTECT YOUR WARRANTY ALWAYS USE GENUINE HI-FORCE PARTS.