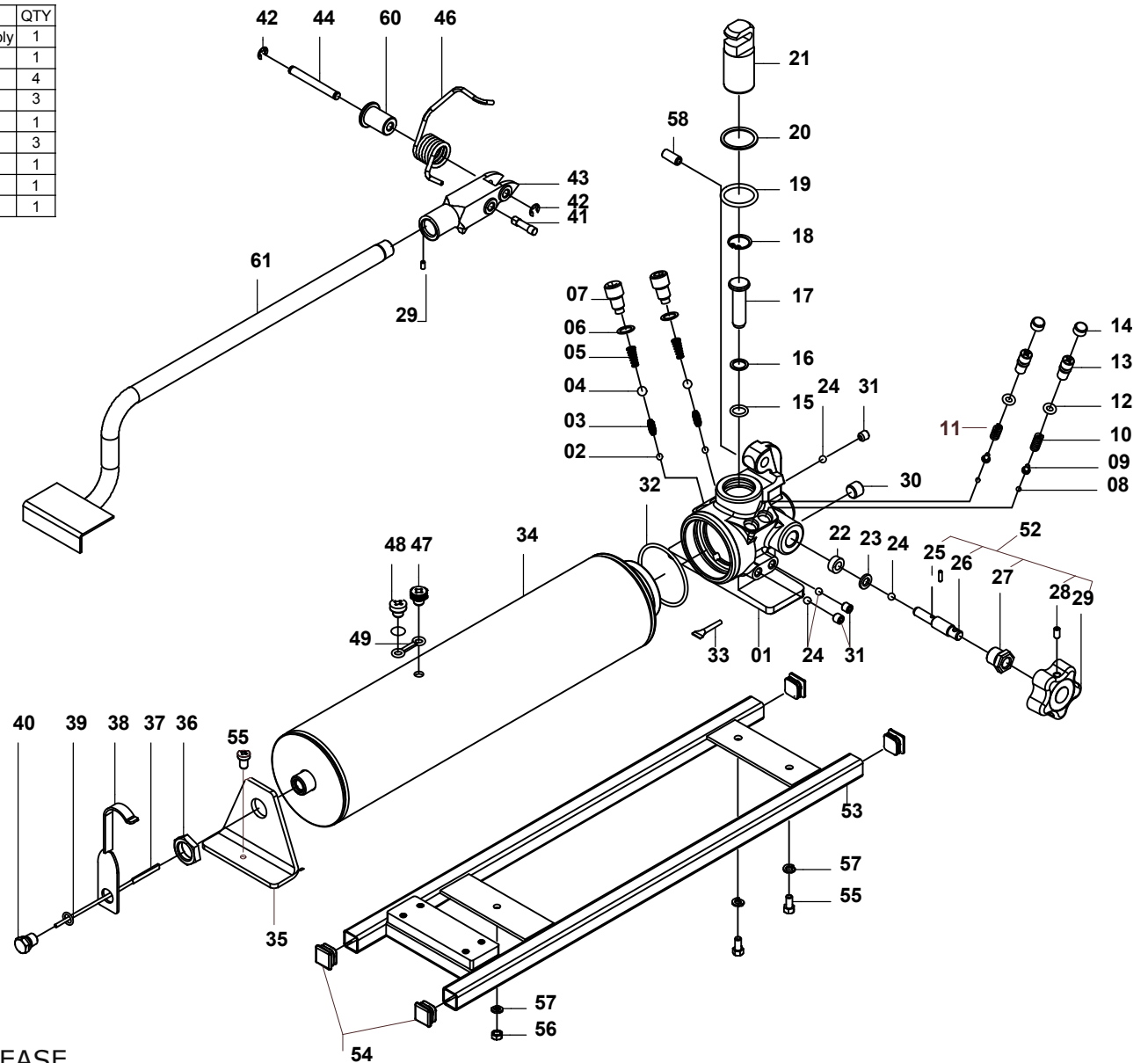


ITEM NO.	PART NO.	DESCRIPTION	QTY	ITEM NO.	PART NO.	DESCRIPTION	QTY
01	HP227-01	Pump Housing	1	52	HP227-52	Release Valve Assembly	1
02	X	Steel Ball	2	53	HP227-53	Pump Foot	1
03	X	Spring	2	54	X	Plug	4
04	X	Steel Ball	2	55	X	Screw	3
05	X	Spring	2	56	X	Nut	1
06	X	Washer	2	57	X	Spring Washer	3
07	X	Valve Cover Screw	2	58	X	Spring Fixed Sleeve	1
08	X	Steel Ball	2	60	HP227-60	Spring Fixed Pivot	1
09	X	Spring End Cap	2	61	HP227-61	Foot Pedal	1
10	X	Short Separator Spring	1				
11	X	Long Separator Spring	1				
12	X	O-Ring	2				
13	X	Overload Cover Screw	2				
14	X	Cap	2				
15	X	O-Ring	1				
16	X	Back Up Ring	1				
17	HP227-17	Pump Piston	1				
18	X	Snap Ring	1				
19	X	O-Ring	1				
20	X	Back Up Ring	1				
21	HP227-21	Pump Piston	1				
22	X	Oil Seal	1				
23	X	Washer	1				
24	X	Steel Ball	4				
25	RV	Pin	1				
26	RV	Release Screw	1				
27	RV	Release Nut	1				
28	RV	Release Knob	1				
29	RV	Set Screw	2				
30	X	Screw	1				
31	X	Screw	3				
32	X	O-Ring	1				
33	X	Oil Filter	1				
34	HP227-34	Reservoir	1				
35	HP227-35	Rear Base	1				
36	HP227-36	Rear Base But	1				
37	X	Oil Scale	1				
38	X	Fixing Hook	1				
39	X	O-Ring	1				
40	X	Screw	1				
41	X	Piston Pin	1				
42	X	Retaining Ring	1				
43	HP227-43	Yoke	1				
44	X	Yoke Pin	1				
46	X	Retracting Spring	1				
47	X	Air Release Screw	1				
48	X	Vent Screw	1				
49	X	O-Ring	1				



NOTE: ITEMS MARKED "RV" ONLY AVAILABLE AS RELEASE VALVE ASSEMBLY. ITEM 52

NOTE: ITEMS MARKED "X" SUPPLIED IN KIT HP227FPP2-K ONLY

www.hi-force.com

IMPORTANT

WHEN ORDERING SPARES YOU MUST STATE THE FULL PART NUMBER AND THE PRODUCT SERIAL NUMBER - FROM THE LABEL TO PROTECT YOUR WARRANTY ALWAYS USE GENUINE HI-FORCE PARTS