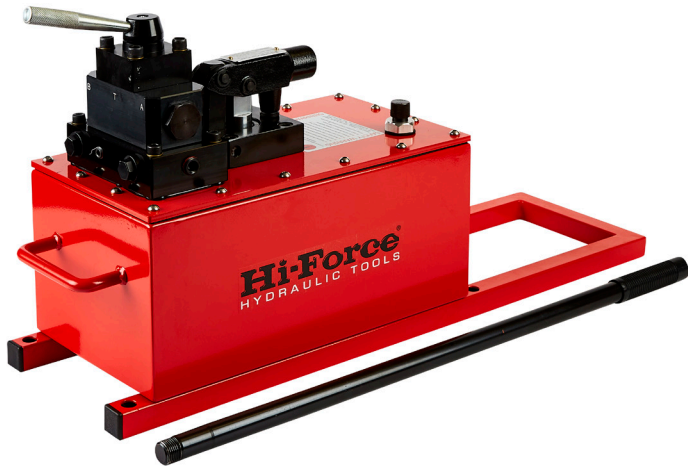


HP | MANUALLY OPERATED PUMPS - HIGH FLOW

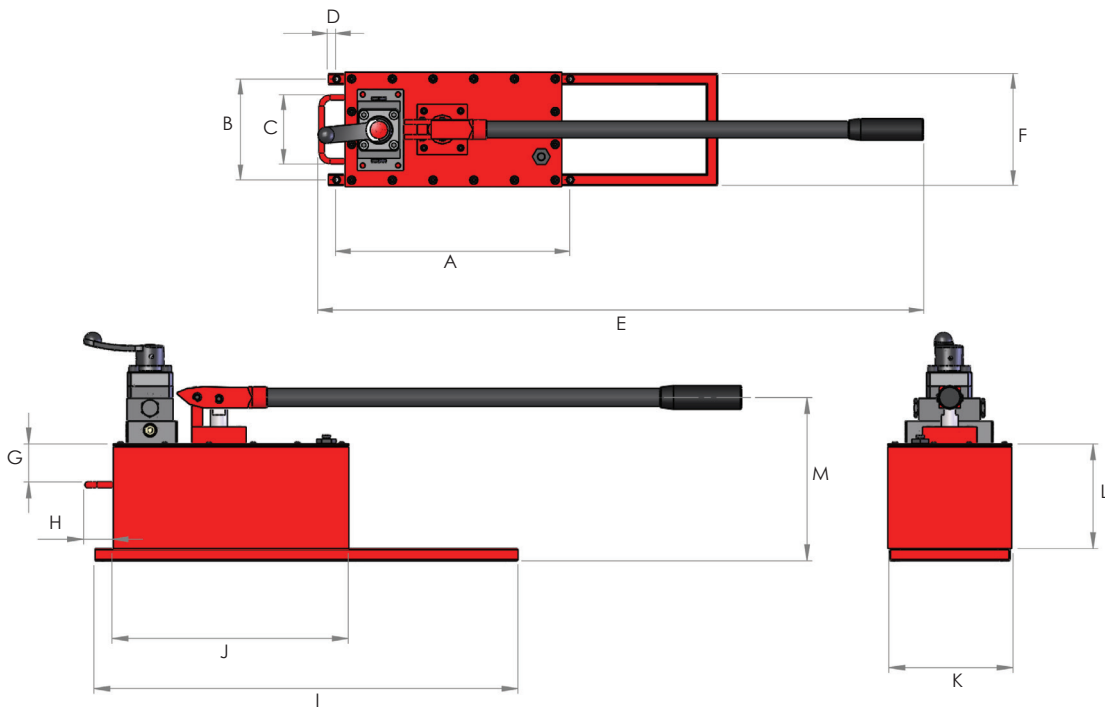


Heavy duty steel construction

Working pressure 700 bar

2 stage with semi automatic changeover

- ▶ Oil reservoir capacity 10 litres
- ▶ Factory set safety relief valve fitted as standard
- ▶ Available with 2-way valve for use with single acting cylinders and 4-way valve for use with double acting cylinders
- ▶ 1st stage flow rate of 113 cm³ per handle stroke for faster extension & retraction of piston under no load
- ▶ Changeover pressure is 28 bar
- ▶ Low handle effort and ergonomic grip for easy operation



Model number	Valve type	Displacement per stroke (cm ³)		Usable oil capacity (litres)	Handle effort (kg)	Weight (kg)
		1 st stage	2 nd stage			
Two stage hand operated pump for single acting cylinders and tools						
HP245	2-way	113	4	10	40	29.5
Two stage hand operated pump for double acting cylinders and tools						
HP245D	4-way	113	4	10	40	31.0

Dimensions (mm)												
A	B	C	D	E	F	G	H	I	J	K	L	M
420	180	124	15	1050	200	63	47	700	390	205	173	270