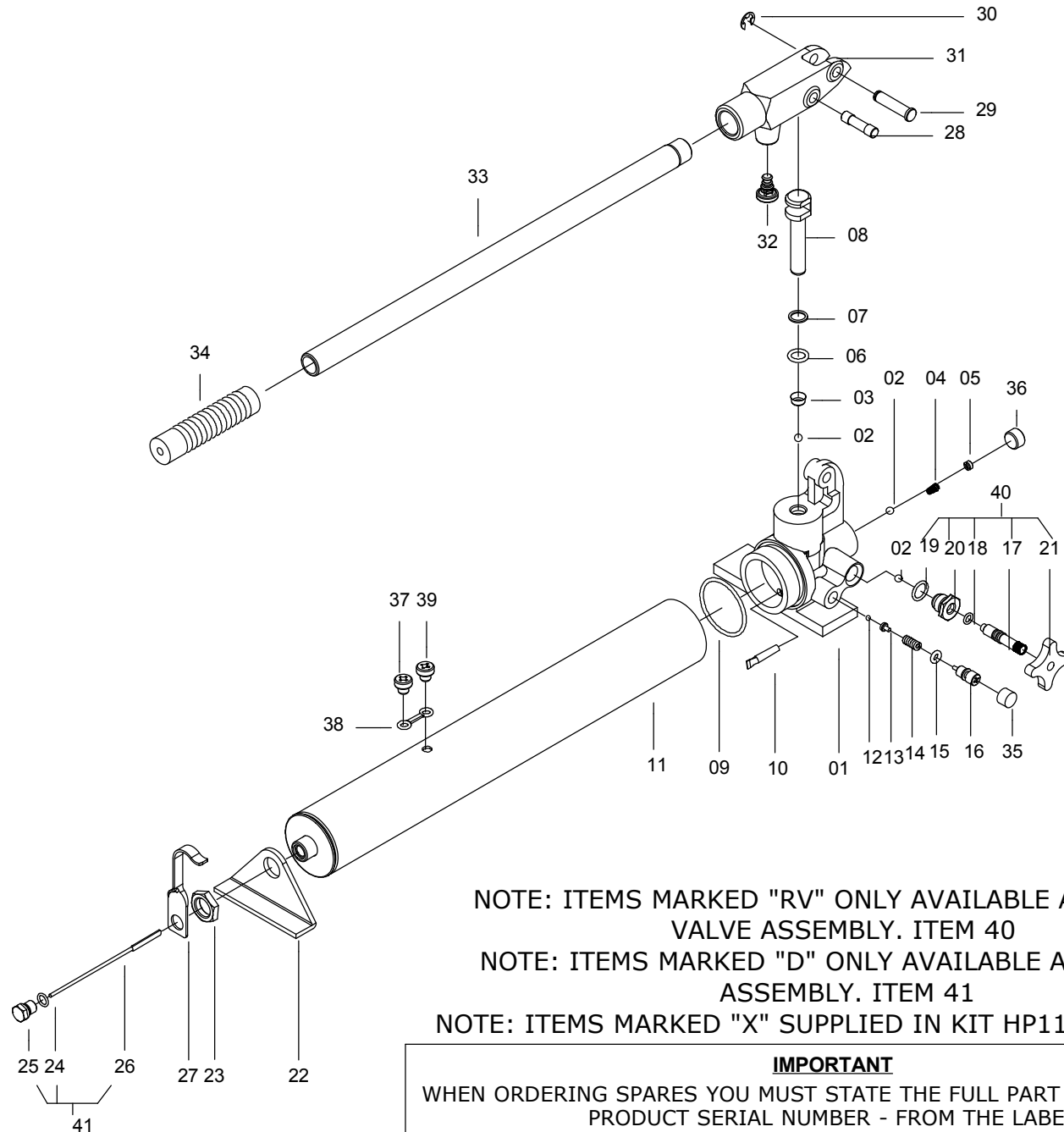


ITEM NO.	PART NO.	DESCRIPTION	QTY
01	HP110-01	Pump Housing	1
02	X	Steel Ball	3
03	X	Oil Filter Cup	1
04	X	Spring	1
05	HP110-05	Screw	1
06	X	O-Ring	1
07	X	Back-Up Ring	1
08	HP110-08	Piston	1
09	X	O-Ring	1
10	X	Oil Filter	1
11	HP110-11	Reservoir	1
12	X	Steel Ball	1
13	X	Spring End Cap	1
14	X	Spring	1
15	X	O-Ring	1
16	X	Screw	1
17	RV	Release Valve Screw	1
18	X	O-Ring	1
19	X	O-Ring	1
20	RV	Release Nut	1
21	RV	Release Knob	1
22	HP110-22	Rear Base	1
23	HP110-23	Rear Base Nut	1
24	D	O-Ring	1
25	D	Screw	1
26	D	Oil Scale	1
27	HP110-27	Fixing Hook	1
28	HP110-28	Piston Pin	1
29	HP110-29	Yoke Pin	1
30	X	E-Ring	1
31	HP110-31	Yoke	1
32	X	Rubber	1
33	HP110-33	Handle	1
34	HP110-34	Handle Grip	1
35	X	Overload Cover	1
36	HP110-36	Screw	1
37	X	Air Release Screw	1
38	X	O-Ring	1
39	X	Vent Screw	1
40	HP110-38	Release Valve Assembly	1
41	HP110-39	Dipstick Assembly	1



NOTE: ITEMS MARKED "RV" ONLY AVAILABLE AS RELEASE VALVE ASSEMBLY. ITEM 40

NOTE: ITEMS MARKED "D" ONLY AVAILABLE AS DIPSTICK ASSEMBLY. ITEM 41

NOTE: ITEMS MARKED "X" SUPPLIED IN KIT HP110TP2-K ONLY

IMPORTANT

WHEN ORDERING SPARES YOU MUST STATE THE FULL PART NUMBER AND THE PRODUCT SERIAL NUMBER - FROM THE LABEL TO PROTECT YOUR WARRANTY ALWAYS USE GENUINE HI-FORCE PARTS