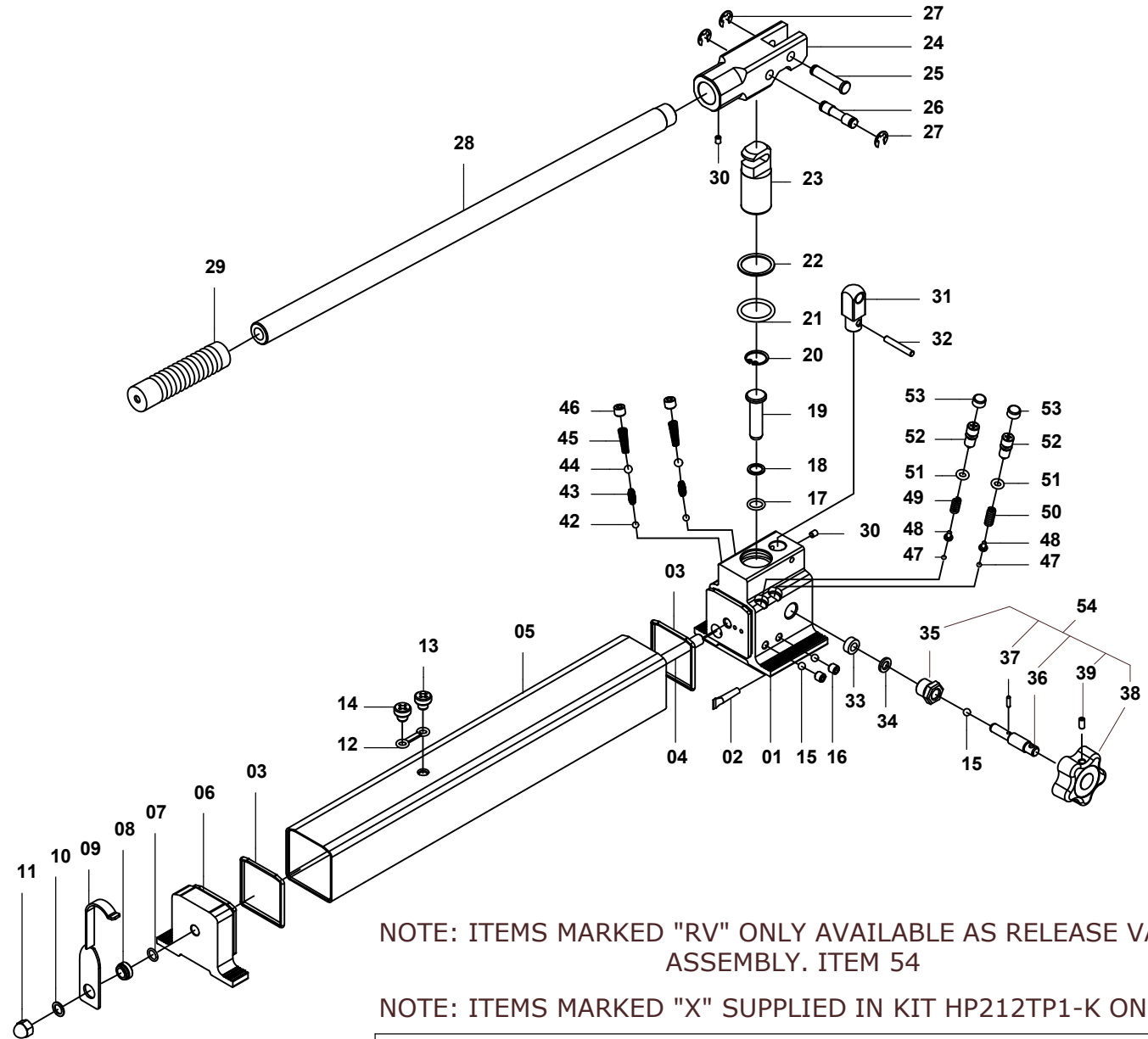


ITEM NO.	PART NO.	DESCRIPTION	QTY
01	HP212-01	Pump Housing	1
02	X	Oil Filter	1
03	X	Ring	2
04	HP212-04	Tie Rod	1
05	HP212-05	Reservoir	1
06	HP212-06	Tail Base	1
07	X	O-Ring	1
08	X	Hook Ring	1
09	X	Fixing Hook	1
10	X	Brass Washer	1
11	X	Nut	1
12	X	O-Ring	1
13	X	Air Release Screw	1
14	X	Vent Screw	1
15	X	Steel Ball	4
16	X	Screw	3
17	X	O-Ring	1
18	X	Back-Up Ring	1
19	HP227-17	Pump Piston	1
20	X	Snap Ring	1
21	X	O-Ring	1
22	X	Back-Up Ring	1
23	HP227-21	Pump Piston	1
24	HP232-23	Yoke	1
25	X	Yoke Pin	1
26	X	Piston Pin	1
27	X	Retaining Ring	3
28	HP232-24	Handle	1
29	X	Handle Grip	1
30	X	Screw	2
31	HP232-26	Yoke Base	1
32	X	Roll Pin	1
33	X	Oil Seal	1
34	X	Washer	1
35	RV	Release Nut	1
36	RV	Release Valve Screw	1
37	RV	Pin	1
38	RV	Release Knob	1
39	RV	Knob Screw	1
42	X	Steel Ball	2
43	X	Spring	2
44	X	Steel Ball	2
45	X	Spring	2
46	X	Screw	2
47	X	Steel Ball	2
48	X	Spring End Cap	2
49	X	Short Separator Spring	1
50	X	Overload Cover Screw	1
51	X	O-Ring	2
52	X	Overload Cover Screw	2
53	X	Cap	2
54	HP227-52	Release Valve Assy	1



NOTE: ITEMS MARKED "RV" ONLY AVAILABLE AS RELEASE VALVE ASSEMBLY. ITEM 54

NOTE: ITEMS MARKED "X" SUPPLIED IN KIT HP212TP1-K ONLY

IMPORTANT

WHEN ORDERING SPARES YOU MUST STATE THE FULL PART NUMBER AND THE PRODUCT SERIAL NUMBER - FROM THE LABEL TO PROTECT YOUR WARRANTY ALWAYS USE GENUINE HI-FORCE PARTS