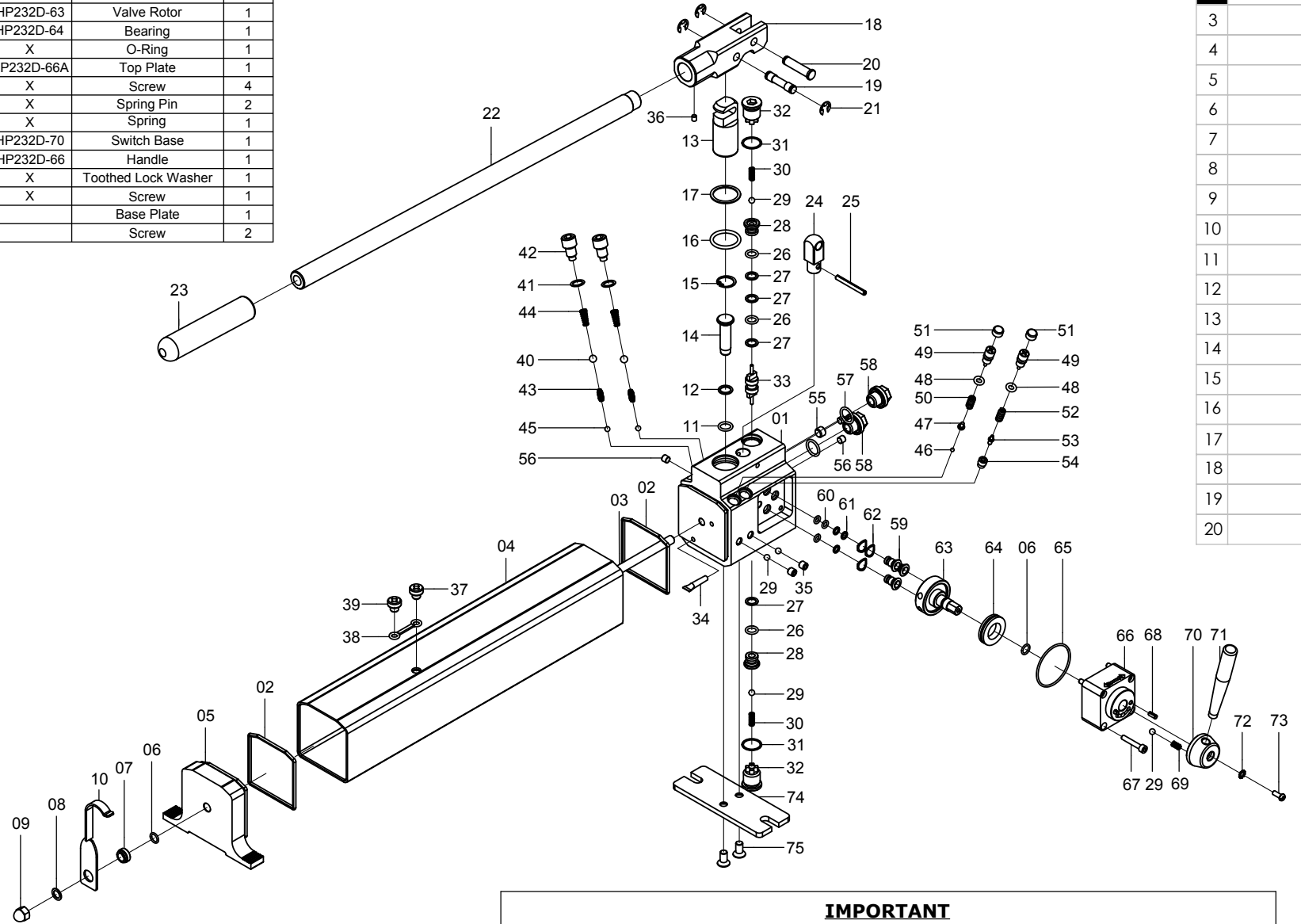


REF NO.	PARTS NO.	DESCRIPTION	QTY	REF NO.	PARTS NO.	DESCRIPTION	QTY
1	HP232D-01A	Pump Housing	1	58	X	Nipple	2
2	X	Ring	2	59	HP232D-59A	Shear Seal	3
3	HP232-04	Tie Rod	1	60	X	O-Ring	3
4	HP232-05	Reservoir	1	61	X	Back-Up Ring	3
5	HP232-06	Tail Base	1	62	X	Thrust Washer	3
6	X	O-Ring	2	63	HP232D-63	Valve Rotor	1
7	X	Latch Ring	1	64	HP232D-64	Bearing	1
8	X	Brass Washer	1	65	X	O-Ring	1
9	X	Nut	1	66	HP232D-66A	Top Plate	1
10	X	Handle Latch	1	67	X	Screw	4
11	X	O-Ring	1	68	X	Spring Pin	2
12	X	Back-Up Ring	1	69	X	Spring	1
13	HP227-21	L.P. Piston	1	70	HP232D-70	Switch Base	1
14	HP227-17	H.P. Piston	1	71	HP232D-66	Handle	1
15	X	Snap Ring	1	72	X	Toothed Lock Washer	1
16	X	O-Ring	1	73	X	Screw	1
17	X	Back-Up Ring	1	74		Base Plate	1
18	HP232-23	Yoke	1	75		Screw	2
19	X	Piston Pin	1				
20	X	Yoke Pin	1				
21	X	Retaining-Ring	3				
22	HP232-24	Handle	1				
23	X	Handle Grip	1				
24	HP232-26	Yoke Base	1				
25	X	Spring Pin	1				
26	X	O-Ring	3				
27	X	Back-Up Ring	4				
28	HP232-28	Cone Seat	2				
29	X	Steel Ball	5				
30	X	Spring	2				
31	X	Washer	2				
32	HP232D-32	Controlling Nut	2				
33	HP232D-33	Controlling Shaft	1				
34	X	Oil Filter	1				
35	X	Set Screw	2				
36	X	Set Screw	1				
37	X	Air Release Screw	1				
38	X	O-Ring	1				
39	X	Vent Screw	1				
40	X	Steel Ball	2				
41	X	Copper Washer	2				
42	X	Valve Cover Screw	2				
43	X	Inlet Ball Spring	2				
44	X	Outlet Ball Spring	2				
45	X	Steel Ball	2				
46	X	Steel Ball	1				
47	X	Spring End Cap	1				
48	X	O-Ring	2				
49	X	Overload Cover Screw	2				
50	X	L.P. Spring	1				
51	X	Cap	2				
52	X	H.P. Spring	1				
53	X	Cone	1				
54	X	Cone Seat	1				
55	X	Screw	1				
56	X	Set Screw	3				
57	X	O-Ring	2				

NOTE: ITEMS MARKED "X" SUPPLIED IN KIT HP232DTP2-K ONLY  
ITEM NO.S 74 & 75 SUPPLIED WITH ITEM NO.1 (HP232D-01A) ONLY

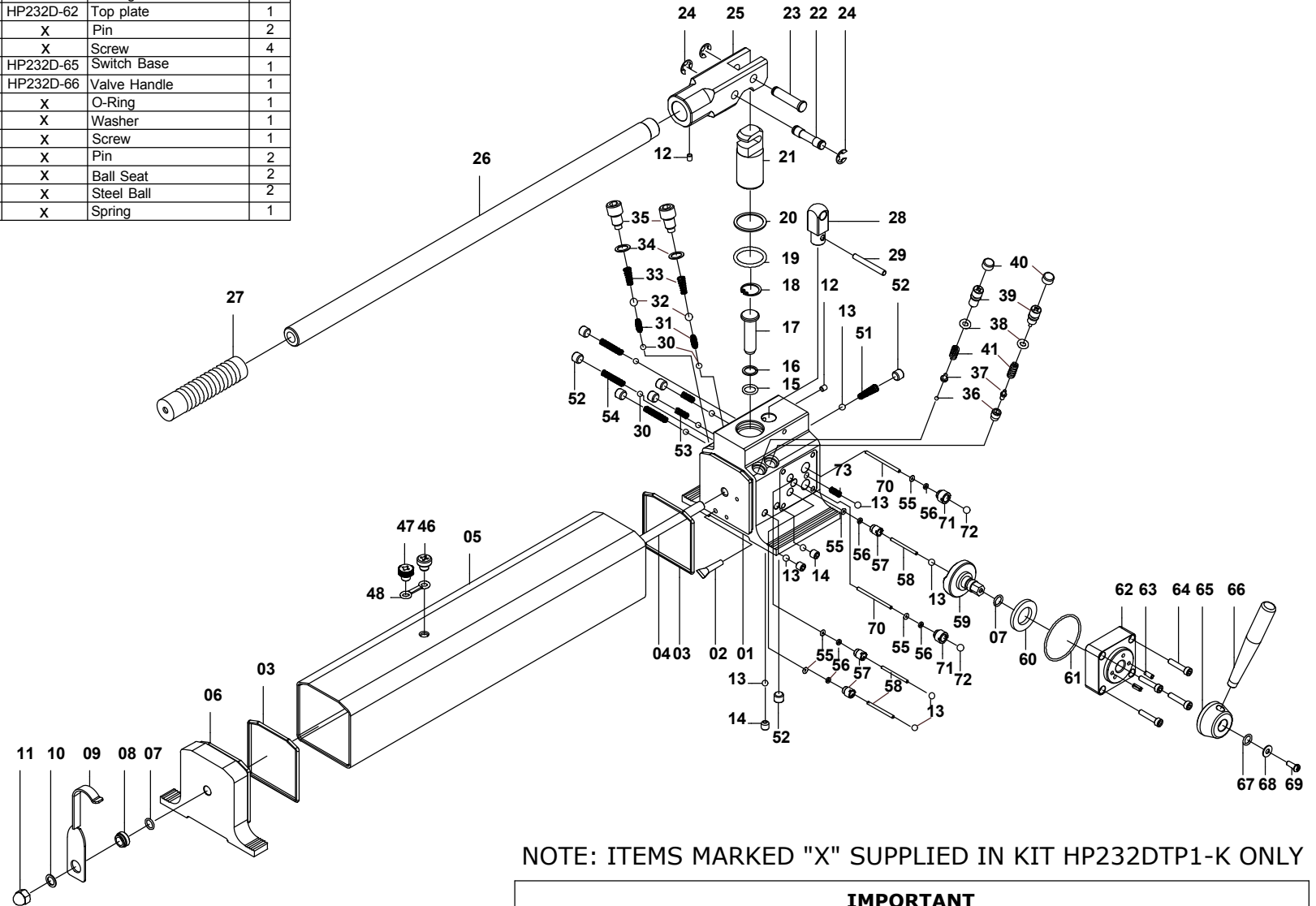


REVISION

1	
2	5087
3	
4	
5	
6	
7	
8	
9	
10	
11	
12	
13	
14	
15	
16	
17	
18	
19	
20	

**IMPORTANT**  
WHEN ORDERING SPARES YOU MUST STATE THE FULL PART NUMBER AND THE  
PRODUCT SERIAL NUMBER - FROM THE LABEL  
TO PROTECT YOUR WARRANTY ALWAYS USE GENUINE HI-FORCE PARTS

ITEM NO.	PART NO.	DESCRIPTION	QTY	ITEM NO.	PART NO.	DESCRIPTION	QTY
01	HP232D-01	Pump Housing	1	56	X	O-Ring End Cap	5
02	X	Oil Filter	1	57	X	Ball Seat	3
03	X	Ring	2	58	X	Pin	3
04	HP232-04	Tie Rod	1	59	HP232D-59	Control Switch	1
05	HP232-05	Reservoir	1	60	HP232D-60	Bearing	1
06	HP232-06	Tail Base	1	61	X	O-Ring	1
07	X	O-Ring	2	62	HP232D-62	Top plate	1
08	X	Hook Ring	1	63	X	Pin	2
09	X	Fixing Hook	1	64	X	Screw	4
10	X	Brass Washer	1	65	HP232D-65	Switch Base	1
11	X	Nut	1	66	HP232D-66	Valve Handle	1
12	X	Screw	2	67	X	O-Ring	1
13	X	Steel Ball	8	68	X	Washer	1
14	X	Set Screw	3	69	X	Screw	1
15	X	O-Ring	1	70	X	Pin	2
16	X	Back-Up Ring	1	71	X	Ball Seat	2
17	HP227-17	Pump Piston	1	72	X	Steel Ball	2
18	X	Snap Ring	1	73	X	Spring	1
19	X	O-Ring	1				
20	X	Back-Up Ring	1				
21	HP227-21	Pump Piston	1				
22	X	Piston Pin	1				
23	X	Yoke Pin	1				
24	X	E-Ring	3				
25	HP232-23	Yoke	1				
26	HP232-24	Handle	1				
27	X	Handle Grip	1				
28	HP232-26	Yoke Base	1				
29	X	Roll Pin	1				
30	X	Steel Ball	7				
31	X	Spring	2				
32	X	Steel Ball	2				
33	X	Spring	2				
34	X	Washer	2				
35	X	Valve Cover Screw	2				
36	X	Steel Ball	1				
37	X	Spring End Cap	1				
38	X	O-Ring	2				
39	X	Overload Cover Screw	1				
40	X	Cap	2				
41	X	Short Separator Spring	1				
42	X	Cone Seat	1				
43	X	Cone	1				
44	X	Long Separator Spring	1				
45	X	Overload Cover Screw	1				
46	X	Air Release Screw	1				
47	X	Vent Screw	1				
48	X	O-Ring	1				
51	X	Spring	1				
52	X	Screw	7				
53	X	Spring	2				
54	X	Spring	3				
55	X	O-Ring	5				



NOTE: ITEMS MARKED "X" SUPPLIED IN KIT HP232DTP1-K ONLY

**IMPORTANT**

WHEN ORDERING SPARES YOU MUST STATE THE FULL PART NUMBER AND THE PRODUCT SERIAL NUMBER - FROM THE LABEL TO PROTECT YOUR WARRANTY ALWAYS USE GENUINE HI-FORCE PARTS