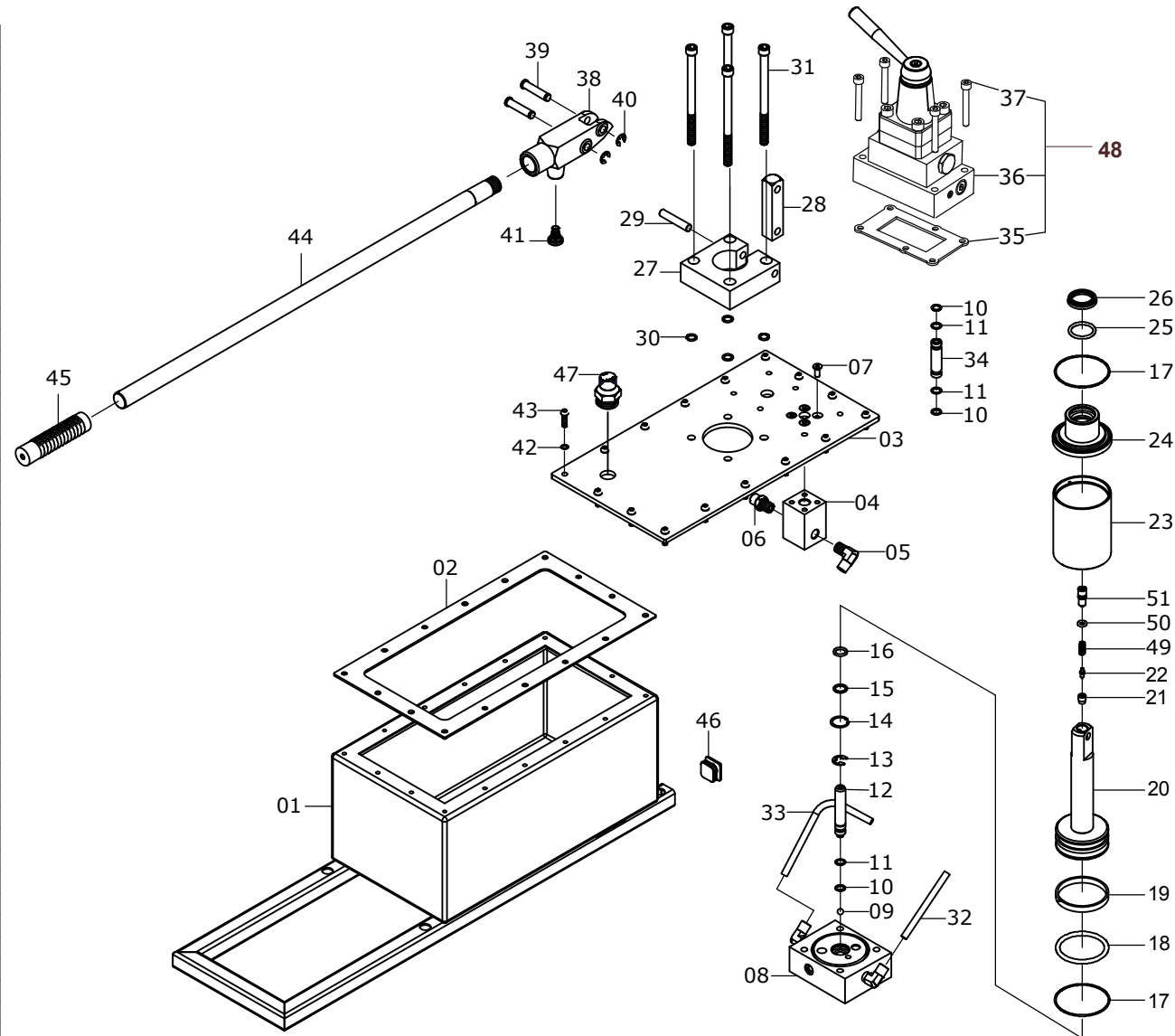


ITEM NO.	PART NO.	DESCRIPTION	QTY
01	HP245-01	Reservoir Assembly	1
02	X	Reservoir Gasket	1
03	HP245-03	Cover Plate	1
04	HP245-04	Junction Block	1
05	HP245-05	Male Elbow	1
06	HP245-06	Tube Connector	1
07	X	Screw	4
08	HP245-08A	Pump Body	1
09	X	Steel Ball	1
10	X	O-Ring	3
11	X	Back-Up Ring	3
12	HP245-12	Piston	1
13	X	E-Ring	1
14	X	Retaining Ring	1
15	X	Back-Up Ring	1
16	X	O-Ring	1
17	X	O-Ring	2
18	X	O-Ring	1
19	X	Split Ring	1
20	HP245-20A	Piston	1
21	X	Cone Seat	1
22	X	Cone	1
23	HP245-23	Pump Cylinder	1
24	HP245-24	Bearing	1
25	X	O-Ring	1
26	X	Wiper	1
27	HP245-27	Piston Fixed Block	1
28	HP245-28	Yoke Base	1
29	X	Pin	1
30	X	O-Ring	4
31	x	Bolt	4
32	HP245-32	Tube Assembly	1
33	HP245-33	Tube Assembly	1
34	X	Link Tube	1
35	RV	Valve Gasket	1
36	RV	Valve	1
37	RV	Screw	4
38	HP110-31	Yoke	1
39	X	Yoke Pin	2
40	X	E-Ring	2
41	X	Support Rubber	1
42	X	Washer	16
43	X	Screw	16
44	HP245-44	Handle	1
45	HP110-34	Handle Grip	1
46	X	Square Hole Plug	2
47	X	Breather Assembly	1
48	HP245D-48	Valve Assembly	1
49	X	H.P. Spring	1
50	X	O-Ring	1
51	X	Over Load Cover screw	1

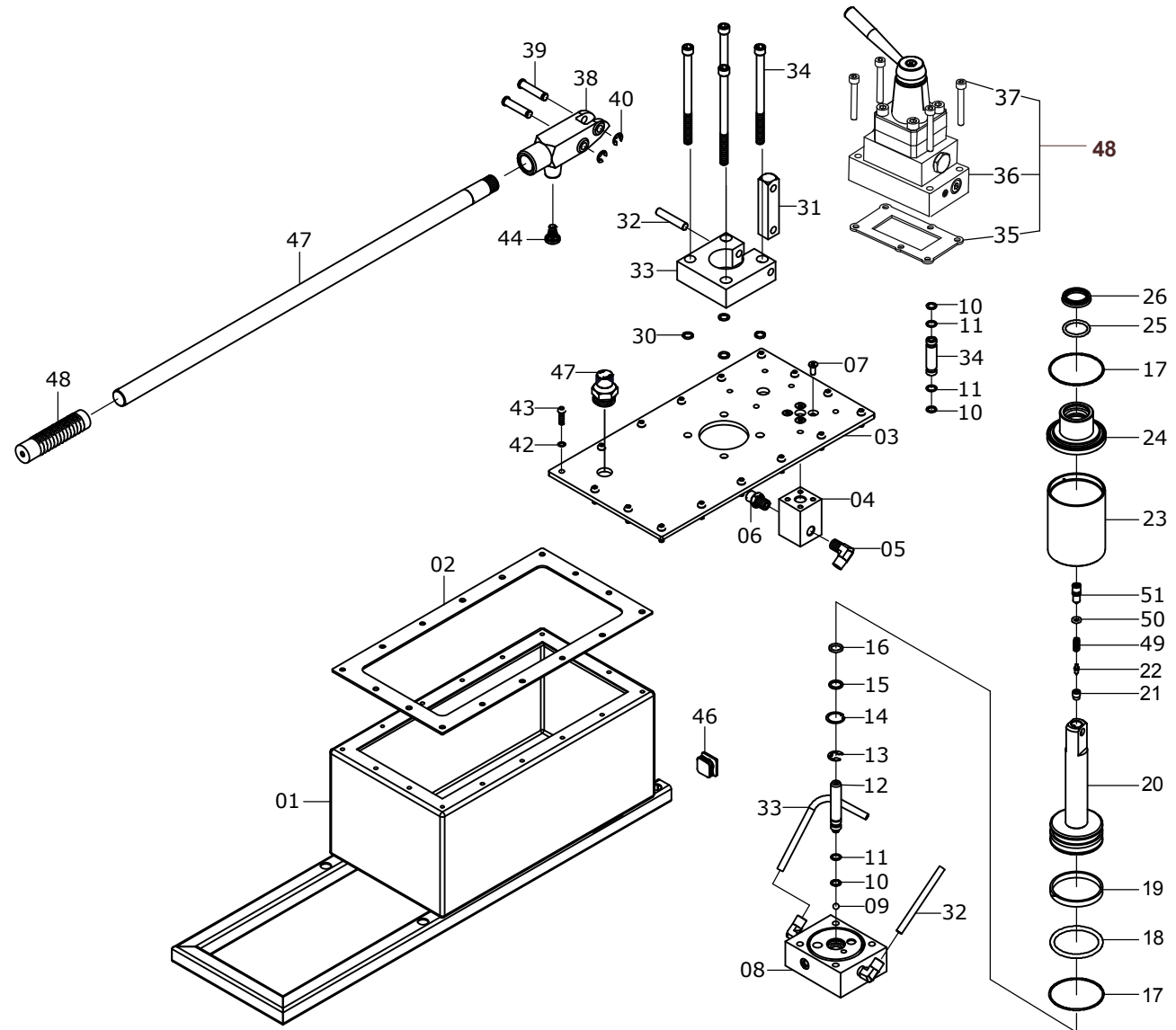


REVISION	
1	
2	
3	5448
4	
5	
6	
7	
8	
9	
10	
11	
12	
13	
14	
15	
16	
17	
18	
19	
20	

NOTE: ITEMS MARKED "RV" ONLY AVAILABLE AS VALVE ASSEMBLY. ITEM 48  
NOTE: ITEMS MARKED "X" SUPPLIED IN KIT HP245TP2-K ONLY

**IMPORTANT**  
WHEN ORDERING SPARES YOU MUST STATE THE FULL PART NUMBER AND THE  
PRODUCT SERIAL NUMBER - FROM THE LABEL  
TO PROTECT YOUR WARRANTY ALWAYS USE GENUINE HI-FORCE PARTS

ITEM NO.	PART NO.	DESCRIPTION	QTY
01	HP245-01	Reservoir Assembly	1
02	X	Reservoir Gasket	1
03	HP245-03	Cover Plate	1
04	HP245-04	Junction Block	1
05	HP245-05	Tee	1
06	HP245-06	Tube Connector	1
07	X	Screw	4
08	HP245-08A	Pump Body	1
09	X	Steel Ball	1
10	X	O-Ring	3
11	X	Back-Up Ring	3
12	HP245-12	Piston	1
13	X	Retaining Ring	1
14	X	O-Ring	1
15	X	Back-Up Ring	1
16	X	O-Ring	1
17	X	O-Ring	2
18	X	O-Ring	1
19	X	Split Ring	1
20	HP245-20A	Piston	1
21	X	Steel Ball	1
22	X	Screw	1
23	HP245-23	Pump Cylinder	1
24	HP245-24	Bearing	1
25	X	O-Ring	1
26	X	Wiper	1
27	HP245-27	Piston Fixed Block	1
28	HP245-28	Yoke Base	1
29	X	Pin	1
30	X	O-Ring	4
31	x	Bolt	4
32	HP245-32	Tube Assembly	1
33	HP245-33	Tube Assembly	1
34	X	Link Tube	1
35	RV	Valve Gasket	1
36	RV	Valve	1
37	RV	Screw	4
38	HP110-31	Yoke	1
39	X	Yoke Pin	2
40	X	Retaining Ring	2
41	X	Rubber	1
42	X	Washer	16
43	X	Screw	16
44	HP245-44	Handle	1
45	HP110-34	Handle Grip	1
46	X	Square Hole Plug	2
47	X	Breather Assembly	1
48	HP245D-48	Valve Assembly	1
49	X	Spring	1
50	X	O-Ring	1
51	X	Screw	1

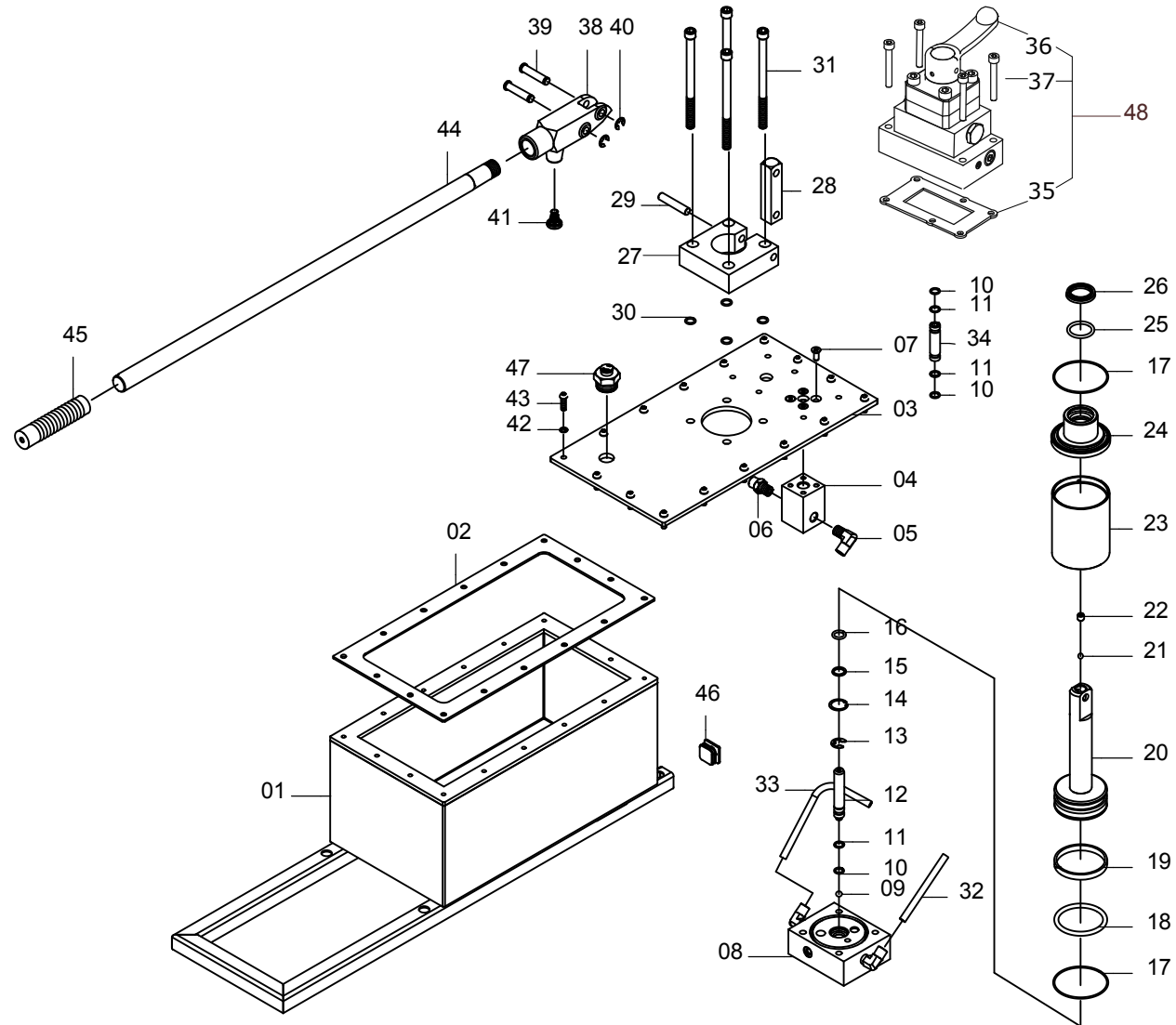


NOTE: ITEMS MARKED "RV" ONLY AVAILABLE AS VALVE ASSEMBLY. ITEM 48  
NOTE: ITEMS MARKED "X" SUPPLIED IN KIT HP245TP2-K ONLY

**IMPORTANT**

WHEN ORDERING SPARES YOU MUST STATE THE FULL PART NUMBER AND THE  
PRODUCT SERIAL NUMBER - FROM THE LABEL  
TO PROTECT YOUR WARRANTY ALWAYS USE GENUINE HI-FORCE PARTS

ITEM NO.	PART NO.	DESCRIPTION	QTY
01	HP245-01	Reservoir Assembly	1
02	X	Reservoir Gasket	1
03	HP245-03	Cover Plate	1
04	HP245-04	Junction Block	1
05	HP245-05	Tee	1
06	HP245-06	Tube Connector	1
07	X	Screw	4
08	HP245-08	Pump Body	1
09	X	Steel Ball	1
10	X	O-Ring	3
11	X	Back-Up Ring	3
12	HP245-12	Piston	1
13	X	Retaining Ring	1
14	X	O-Ring	1
15	X	Back-Up Ring	1
16	X	O-Ring	1
17	X	O-Ring	2
18	X	O-Ring	1
19	X	Split Ring	1
20	HP245-20	Piston	1
21	X	Steel Ball	1
22	X	Screw	1
23	HP245-23	Pump Cylinder	1
24	HP245-24	Bearing	1
25	X	O-Ring	1
26	X	Wiper	1
27	HP245-27	Piston Fixed Block	1
28	HP245-28	Yoke Base	1
29	X	Pin	1
30	X	O-Ring	4
31	X	Bolt	4
32	HP245-32	Tube Asm.	1
33	HP245-33	Tube Asm.	1
34	X	Link Tube	1
35	RV	Valve Gasket	1
36	RV	Valve	1
37	RV	Screw	6
38	HP110-31	Yoke	1
39	X	Yoke Pin	2
40	X	Retaining Ring	2
41	X	Rubber	1
42	X	Washer	16
43	X	Screw	16
44	HP245-44	Handle	1
45	HP110-34	Handle Grip	1
46	X	Square Hole Plug	2
47	X	Breather Assembly	1
48	PMV4L	Valve Assembly	1



NOTE: ITEMS MARKED "X" SUPPLIED IN KIT HP245TP1-K ONLY  
 NOTE: ITEMS MARKED "RV" ONLY AVAILABLE AS VALVE ASSEMBLY. ITEM 48  
 NOTE: HP245D-48 VALVE ASSEMBLY CAN BE USED TO REPLACE PMV4L

**IMPORTANT**  
 WHEN ORDERING SPARES YOU MUST STATE THE FULL PART NUMBER AND THE  
 PRODUCT SERIAL NUMBER - FROM THE LABEL  
 TO PROTECT YOUR WARRANTY ALWAYS USE GENUINE HI-FORCE PARTS