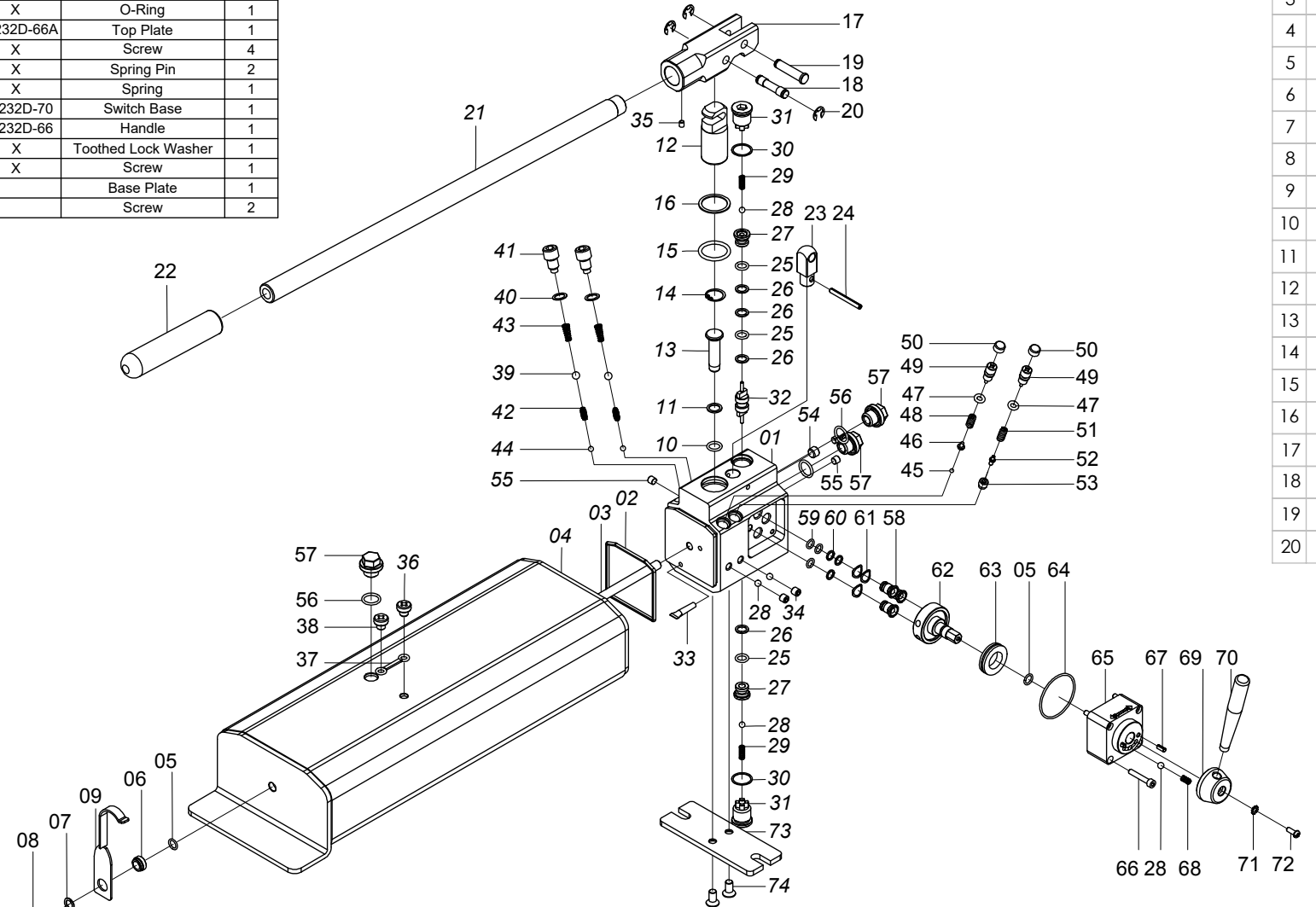


REF NO.	PARTS NO.	DESCRIPTION	QTY	REF NO.	PARTS NO.	DESCRIPTION	QTY
1	HP232D-01A	Pump Housing	1	58	HP232D-59A	Shear Seal	3
2	X	Ring	1	59	X	O-Ring	3
3	HP232-04	Tie Rod	1	60	X	Back Up Ring	3
4	HP252-05	Reservoir	1	61	X	Thrust Washer	3
5	X	O-Ring	2	62	HP232D-63	Valve Rotor	1
6	X	Latch Ring	1	63	HP232D-64	Bearing	1
7	X	Brass Washer	1	64	X	O-Ring	1
8	X	Nut	1	65	HP232D-66A	Top Plate	1
9	X	Handle Latch	1	66	X	Screw	4
10	X	O-Ring	1	67	X	Spring Pin	2
11	X	Back Up Ring	1	68	X	Spring	1
12	HP227-21	L.P. Piston	1	69	HP232D-70	Switch Base	1
13	HP227-17	H.P. Piston	1	70	HP232D-66	Handle	1
14	X	Snap Ring	1	71	X	Toothed Lock Washer	1
15	X	O-Ring	1	72	X	Screw	1
16	X	Back Up Ring	1	73	X	Base Plate	1
17	HP232-23	Yoke	1	74	X	Screw	2
18	X	Piston Pin	1				
19	X	Yoke Pin	1				
20	X	Retaining Ring	3				
21	HP232-24	Handle	1				
22	X	Handle Grip	1				
23	HP232-26	Yoke Base	1				
24	X	Spring Ring	1				
25	X	O-Ring	3				
26	X	Back Up Ring	4				
27	HP232D-28	Cone Seat	2				
28	X	Steel Ball	5				
29	X	Spring	2				
30	X	Washer	2				
31	HP232D-32	Controlling Nut	2				
32	HP232D-33	Controlling Shaft	1				
33	X	Oil Filter	1				
34	X	Screw	2				
35	X	Screw	1				
36	X	Air Release Screw	1				
37	X	O-Ring	1				
38	X	Vent Screw	1				
39	X	Steel Ball	2				
40	X	Copper Washer	2				
41	X	Valve Cover Screw	2				
42	X	Inlet Ball Spring	2				
43	X	Outlet Ball Spring	2				
44	X	Steel Ball	2				
45	X	Steel Ball	1				
46	X	Spring End Cap	1				
47	X	O-Ring	2				
48	X	L.P. Spring	1				
49	X	Overload Cover Screw	2				
50	X	Cap	2				
51	X	H.P. spring	1				
52	X	Cone	1				
53	X	Cone Seat	1				
54	X	Screw	1				
55	X	Set Screw	3				
56	X	O-Ring	3				
57	X	Nipple	3				

NOTE: ITEMS MARKED "X" SUPPLIED IN KIT HP252DTP2-K ONLY
ITEM NO.S 73 & 74 SUPPLIED WITH ITEM NO.1 (HP232D-01A) ONLY

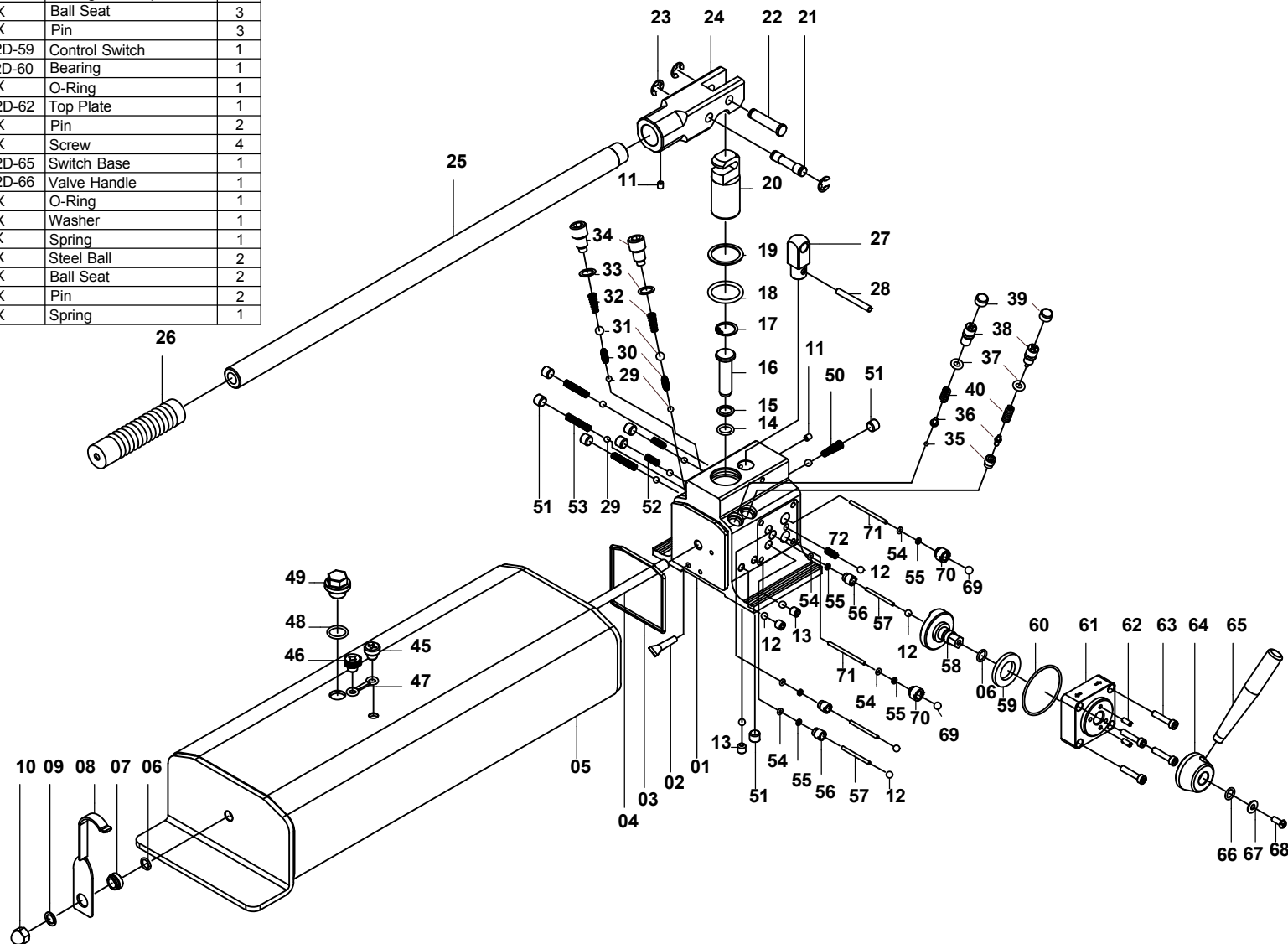


REVISION

1	
2	5087
3	
4	
5	
6	
7	
8	
9	
10	
11	
12	
13	
14	
15	
16	
17	
18	
19	
20	

IMPORTANT
WHEN ORDERING SPARES YOU MUST STATE THE FULL PART NUMBER AND THE
PRODUCT SERIAL NUMBER - FROM THE LABEL
TO PROTECT YOUR WARRANTY ALWAYS USE GENUINE HI-FORCE PARTS

ITEM NO.	PART NO.	DESCRIPTION	QTY	ITEM NO.	PART NO.	DESCRIPTION	QTY
01	HP232D-01	Pump Housing	1	55	X	O-Ring End Cap	5
02	X	Oil Filter	1	56	X	Ball Seat	3
03	X	Ring	1	57	X	Pin	3
04	HP232-04	Tie Rod	1	58	HP232D-59	Control Switch	1
05	HP252-05	Reservoir	1	59	HP232D-60	Bearing	1
06	X	O-Ring	2	60	X	O-Ring	1
07	X	Hook Ring	1	61	HP232D-62	Top Plate	1
08	X	Fixing Hook	1	62	X	Pin	2
09	X	Brass Washer	1	63	X	Screw	4
10	X	Nut	1	64	HP232D-65	Switch Base	1
11	X	Screw	2	65	HP232D-66	Valve Handle	1
12	X	Steel Ball	8	66	X	O-Ring	1
13	X	Set Screw	3	67	X	Washer	1
14	X	O-Ring	1	68	X	Spring	1
15	X	Back-Up Ring	1	69	X	Steel Ball	2
16	HP227-17	Pump Piston	1	70	X	Ball Seat	2
17	X	Snap Ring	1	71	X	Pin	2
18	X	O-Ring	1	72	X	Spring	1
19	X	Back-Up Ring	1				
20	HP227-21	Pump Piston	1				
21	X	Piston Pin	1				
22	X	Yoke Pin	1				
23	X	E-Ring	3				
24	HP232-23	Yoke	1				
25	HP232-24	Handle	1				
26	X	Handle Grip	1				
27	HP232-26	Yoke Base	1				
28	X	Roll Pin	1				
29	X	Steel Ball	7				
30	X	Spring	2				
31	X	Steel Ball	2				
32	X	Spring	2				
33	X	Washer	2				
34	X	Valve Cover Screw	2				
35	X	Steel Ball	1				
36	X	Spring End Cap	1				
37	X	O-Ring	2				
38	X	Overload Cover Screw	1				
39	X	Cap	2				
40	X	Short Separator Spring	1				
41	X	Cone Seat	1				
42	X	Cone	1				
43	X	Long Separator Spring	1				
44	X	Overload Cover Screw	1				
45	X	Air Release Screw	1				
46	X	Vent Screw	1				
47	X	O-Ring	1				
48	X	O-Ring	1				
49	X	Nipple	1				
50	X	Spring	1				
51	X	Screw	7				
52	X	Spring	2				
53	X	Spring	3				
54	X	O-Ring	5				



NOTE: ITEMS MARKED "X" SUPPLIED IN KIT HP252DTP1-K ONLY

IMPORTANT

WHEN ORDERING SPARES YOU MUST STATE THE FULL PART NUMBER AND THE PRODUCT SERIAL NUMBER - FROM THE LABEL TO PROTECT YOUR WARRANTY ALWAYS USE GENUINE HI-FORCE PARTS