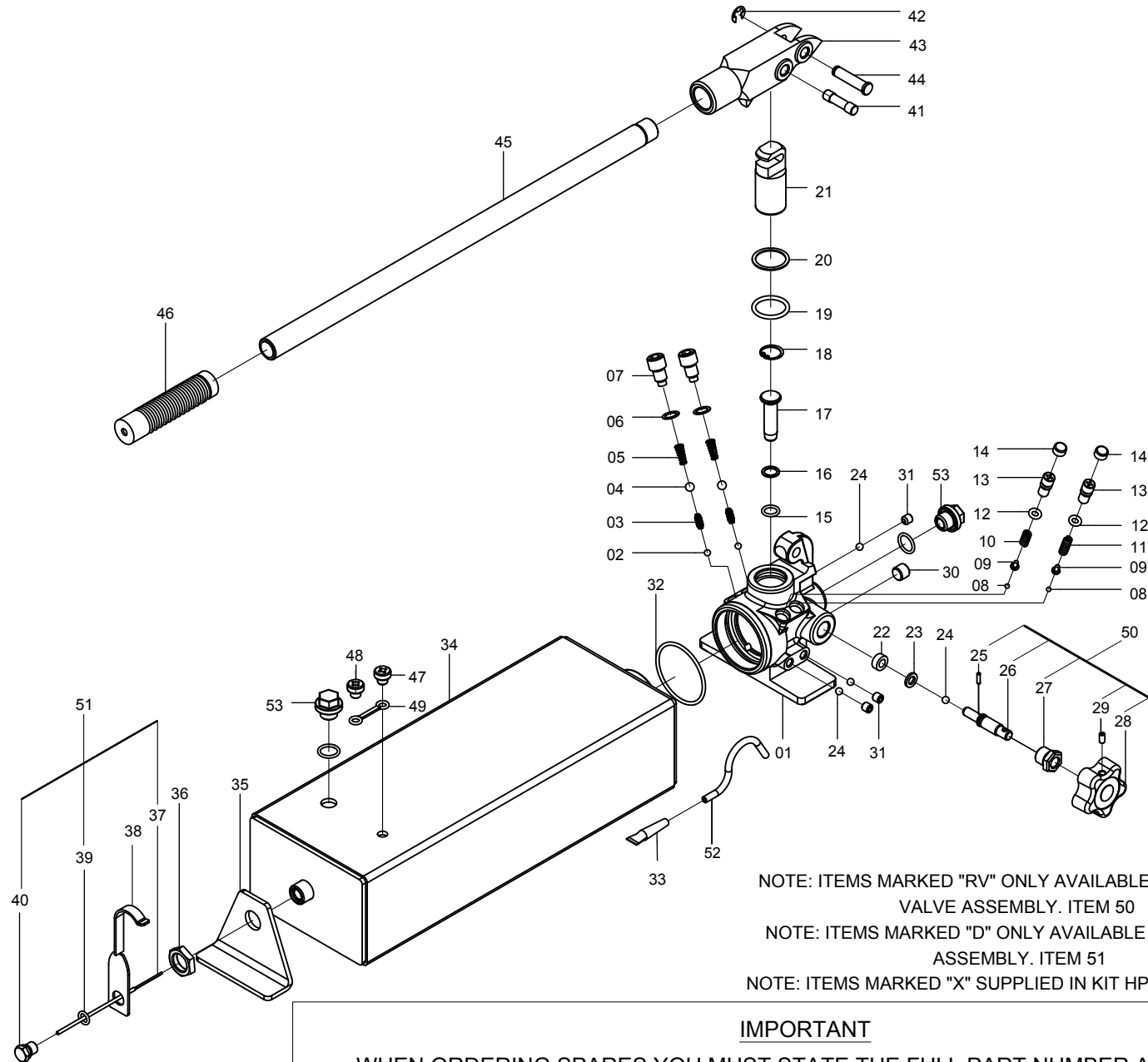


ITEM NO.	PART NO.	DESCRIPTION	QTY
01	HP227-01	PUMP HOUSING	1
02	X	STEEL BALL	2
03	X	SPRING	2
04	X	STEEL BALL	2
05	X	SPRING	2
06	X	WASHER	2
07	X	VALVE COVER SCREW	2
08	X	STEEL BALL	2
09	X	SPRING END CAP	2
10	X	L.P. SPRING	1
11	X	H.P. SPRING	1
12	X	O-RING	2
13	X	OVERLOAD COVER SCREW	2
14	X	CAP	2
15	X	O-RING	1
16	X	BACK UP RING	1
17	HP227-17	PUMP PISTON	1
18	X	SNAP RING	1
19	X	O-RING	1
20	X	BACK UP RING	1
21	HP227-21	PUMP PISTON	1
22	X	OIL SEAL	1
23	X	WASHER	1
24	X	STEEL BALL	4
25	RV	PIN	1
26	RV	RELEASE SCREW	1
27	RV	RELEASE NUT	1
28	RV	RELEASE KNOB	1
29	RV	SET SCREW	1
30	X	SCREW	1
31	X	SCREW	3
32	X	O-RING	1
33	X	OIL FILTER	1
34	HP257-34	RESERVOIR	1
35	HP227-35	REAR BASE	1
36	HP227-36	REAR BASE NUT	1
37	X	OIL SCALE	1
38	HP227-38	FIXING HOOK	1
39	X	O-RING	1
40	X	SCREW	1
41	X	PISTON PIN	1
42	X	RETAINING RING	1
43	HP227-43	YOKE	1
44	X	YOKE PIN	1
45	HP227-45	HANDLE	1
46	X	HANDLE GRIP	1
47	X	AIR RELEASE SCREW	1
48	X	VENT SCREW	1
49	X	O-RING	1
50	HP227-52	RELEASE VALVE ASSY	1
51	HP227-51	DIPSTICK ASSEMBLY	1
52	HP257-52	TUBE	1
53	HP110-36	PLASTIC SCREW CAP	2



NOTE: ITEMS MARKED "RV" ONLY AVAILABLE AS RELEASE VALVE ASSEMBLY. ITEM 50

NOTE: ITEMS MARKED "D" ONLY AVAILABLE AS DIPSTICK ASSEMBLY. ITEM 51

NOTE: ITEMS MARKED "X" SUPPLIED IN KIT HP227TP2-K ONLY.

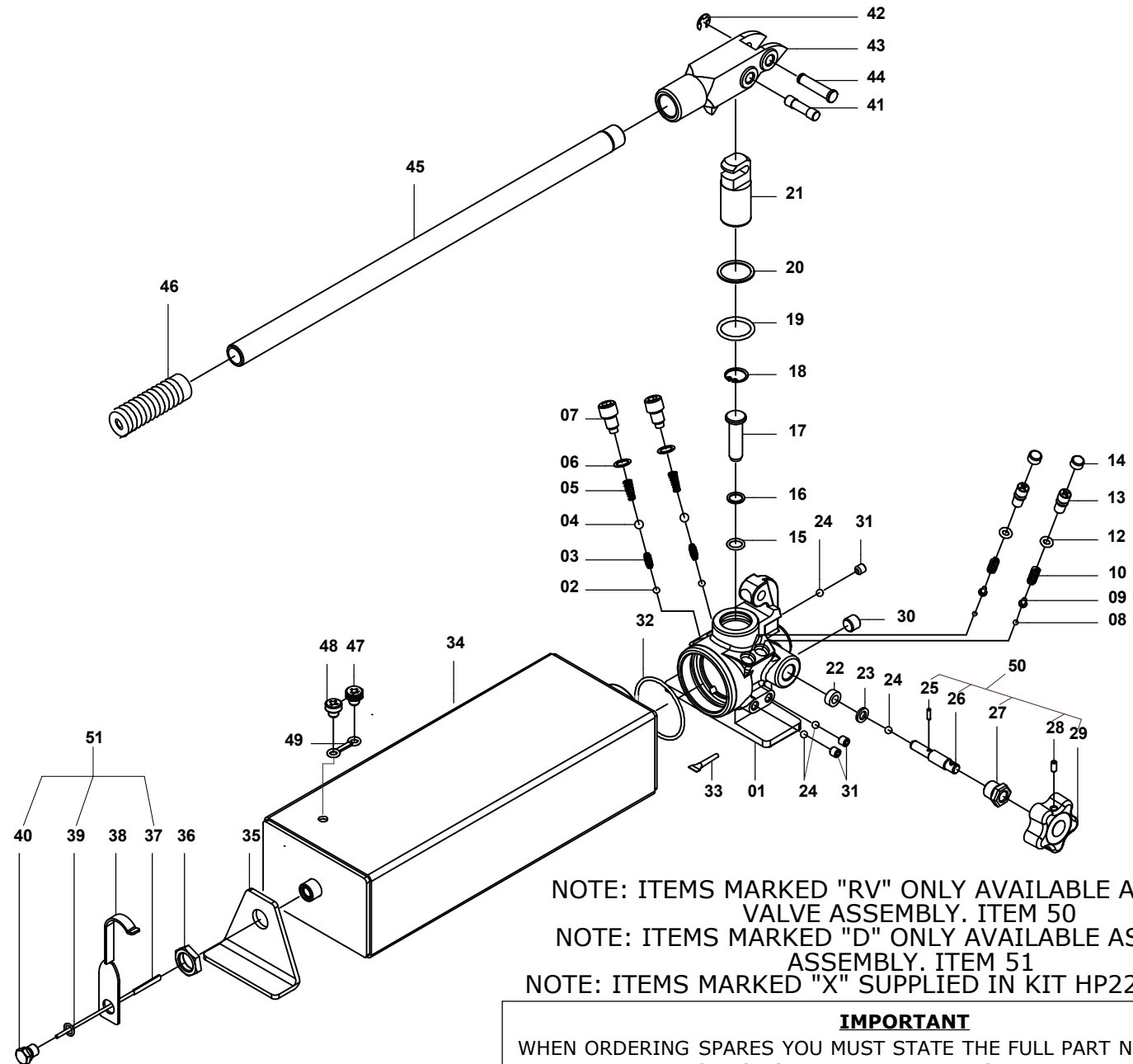
IMPORTANT

WHEN ORDERING SPARES YOU MUST STATE THE FULL PART NUMBER AND THE PRODUCT SERIAL NUMBER - FROM THE LABEL TO PROTECT YOUR WARRANTY ALWAYS USE GENUINE HI-FORCE PARTS

REVISION

REVISION	DESCRIPTION
1	
2	4728
3	4340
4	
5	
6	
7	
8	
9	
10	
11	
12	
13	
14	
15	
16	
17	
18	
19	
20	

ITEM NO.	PART NO.	DESCRIPTION	QTY
01	HP227-01	Pump Housing	1
02	X	Steel Ball	2
03	X	Spring	2
04	X	Steel Ball	2
05	X	Spring	2
06	X	Washer	2
07	X	Valve Cover Screw	2
08	X	Steel Ball	2
09	X	Spring End Cap	2
10	X	Short Separator Spring	1
11	X	Long Separator Spring	1
12	X	O-Ring	2
13	X	Overload Cover Screw	2
14	X	Cap	2
15	X	O-Ring	1
16	X	Back Up Ring	1
17	HP227-17	Pump Piston	1
18	X	Snap Ring	1
19	X	O-Ring	1
20	X	Back Up Ring	1
21	HP227-21	Pump Piston	1
22	X	Oil Seal	1
23	X	Washer	1
24	X	Steel Ball	4
25	RV	Pin	1
26	RV	Release Screw	1
27	RV	Release Nut	1
28	RV	Release Knob	1
29	RV	Set Screw	1
30	X	Screw	1
31	X	Screw	3
32	X	O-Ring	1
33	X	Oil Filter	1
34	HP257-34	Reservoir	1
35	HP227-35	Rear Base	1
36	HP227-36	Rear Base Nut	1
37	X	Oil Scale	1
38	HP227-38	Fixing Hook	1
39	X	O-Ring	1
40	X	Screw	1
41	X	Piston Pin	1
42	X	Retaining Ring	1
43	HP227-43	Yoke	1
44	X	Yoke Pin	1
45	HP227-45	Handle	1
46	X	Handle Grip	1
47	X	Air Release Screw	1
48	X	Vent Screw	1
49	X	O-Ring	1
50	HP227-52	Release Valve Assy	1
51	HP227-51	Dipstick Assembly	1



NOTE: ITEMS MARKED "RV" ONLY AVAILABLE AS RELEASE VALVE ASSEMBLY. ITEM 50
 NOTE: ITEMS MARKED "D" ONLY AVAILABLE AS DIPSTICK ASSEMBLY. ITEM 51
 NOTE: ITEMS MARKED "X" SUPPLIED IN KIT HP227TP2-K ONLY

IMPORTANT

WHEN ORDERING SPARES YOU MUST STATE THE FULL PART NUMBER AND THE PRODUCT SERIAL NUMBER - FROM THE LABEL TO PROTECT YOUR WARRANTY ALWAYS USE GENUINE HI-FORCE PARTS