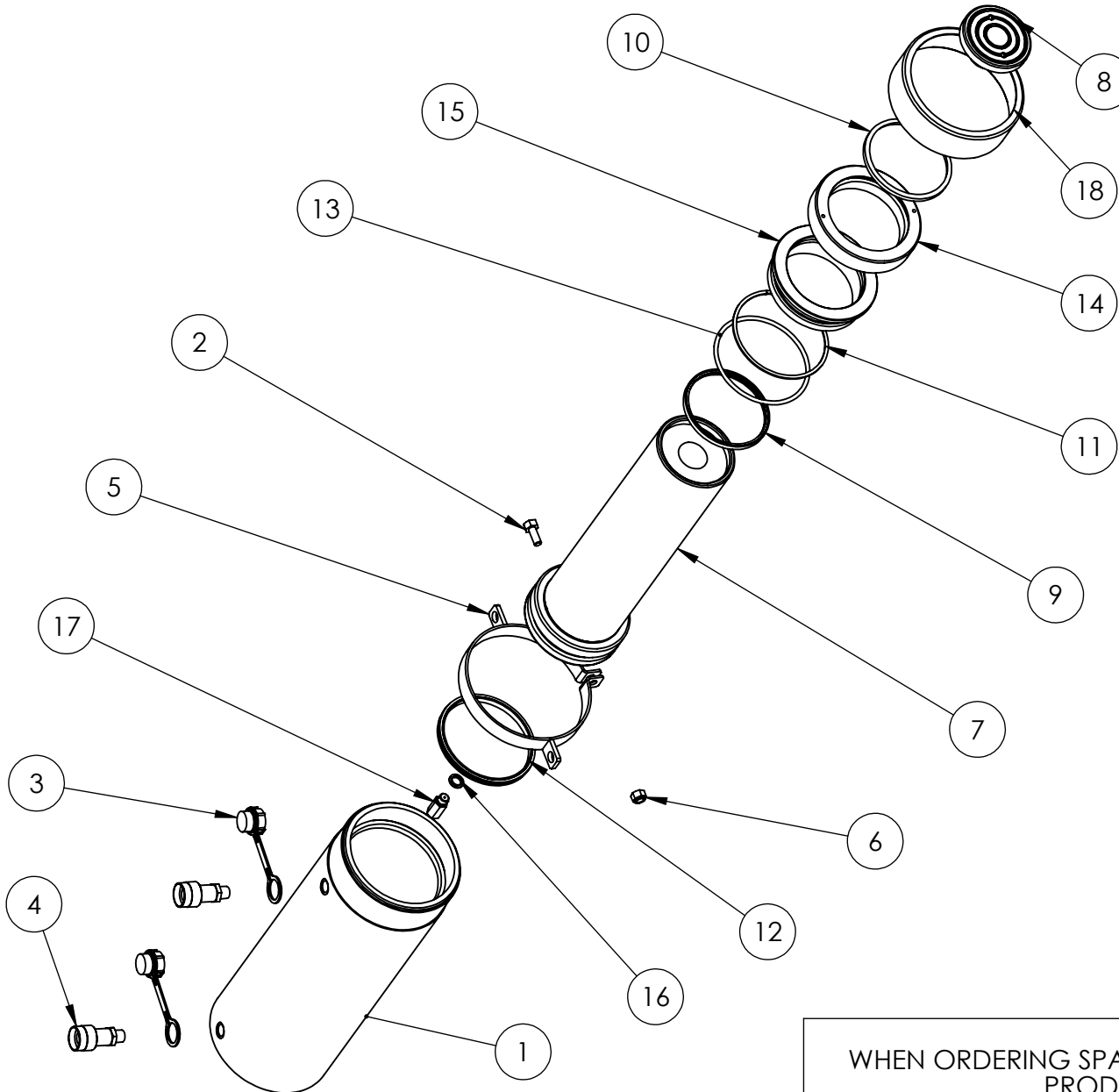


IMPORTANT
WHEN ORDERING SPARES YOU MUST STATE THE FULL PART NUMBER AND THE
PRODUCT SERIAL NUMBER - FROM THE LABEL
TO PROTECT YOUR WARRANTY ALWAYS USE GENUINE HI-FORCE PARTS.

ITEM NO.	HPF10020	HPF10030	HPF10041	HPF10042	HPF10044
1	PAA100HM001	PAA100HM001	PAA100HM001	PAA100HM001	PAA100HM001
2	HP235D	HAP21042	HEP207421	HEP207422	HEP207424
3	PLC100EU001	PLC100EU001	PLC100EU001	PLC100EU001	PLC100EU001
4	STC040RA001	STC040RA001	STC040RA001	STC040RA001	STC040RA001
5	HPG-100T	HPG-100T	HPG-100T	HPG-100T	HPG-100T
6	HH2	HH2	HH2	HH2	HH2
7	CM1	CM1	CM1	CM1	CM1
8	HF31	HF31	HF31	HF31	HF31
9	CF1	CF1	CF1	CF1	CF1
10	FPC010YN001	FPC010YN001	FPC010YN001	FPC010YN001	FPC010YN001
11	CF1	CF1	CF1	CF1	CF1
12	HF16	HF16	HF16	HF16	HF16
13	HF16	HF16	HF16	HF16	HF16
14	FPC006YN001	FPC006YN001	FPC006YN001	FPC006YN001	FPC006YN001

IMPORTANT

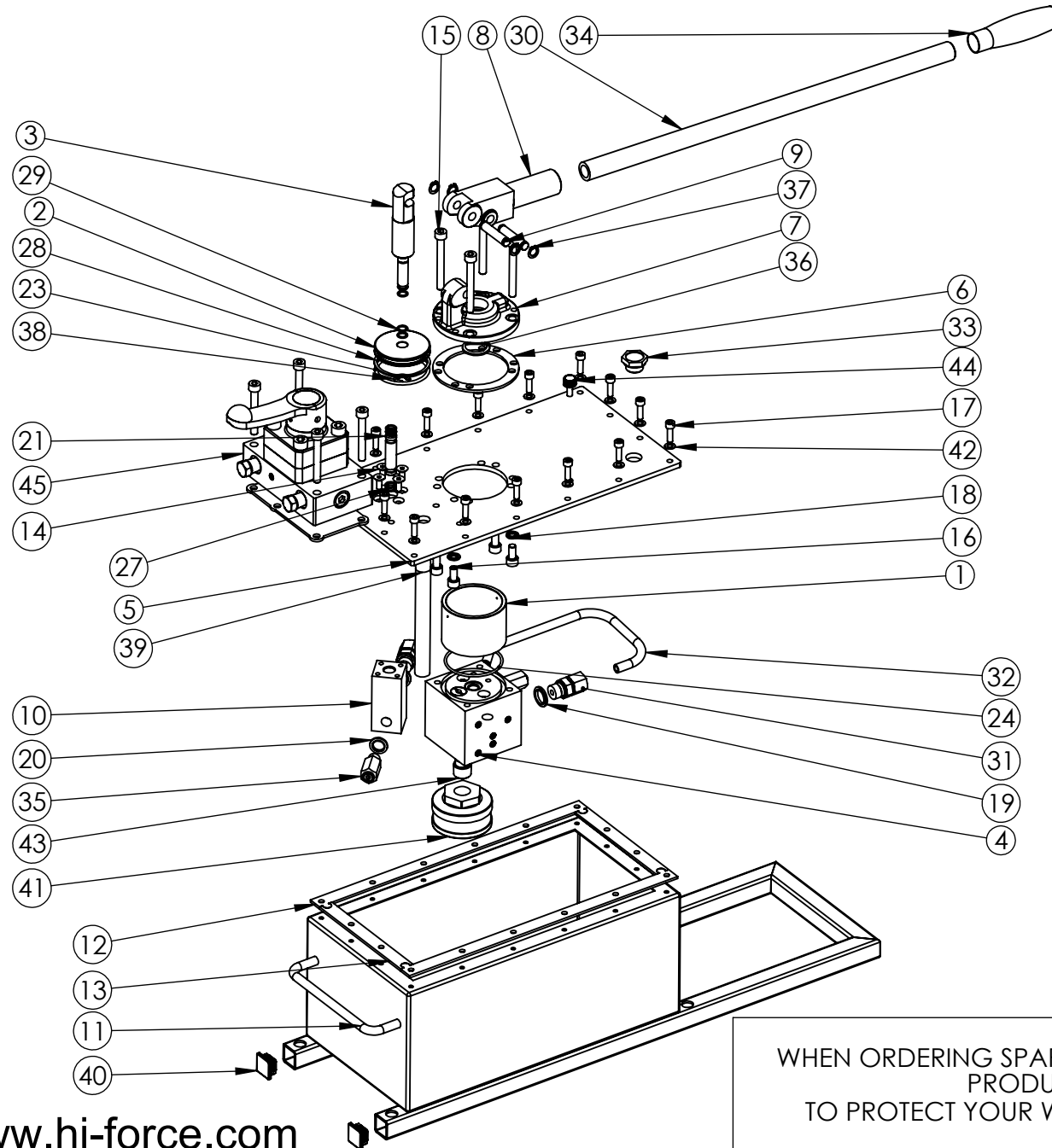
WHEN ORDERING SPARES YOU MUST STATE THE FULL PART NUMBER AND THE
PRODUCT SERIAL NUMBER - FROM THE LABEL
TO PROTECT YOUR WARRANTY ALWAYS USE GENUINE HI-FORCE PARTS.



ITEM NO.	PART NUMBER	DESCRIPTION	QTY.
1	CBC140AN003	CYLINDER	1
2	BLC010LB025	BOLT	1
3	BPC030PP001	DUST COVER	2
4	CF1	COUPLER	2
5	FLC178LA002	LIFTING RING	1
6	NUC010LC000	NUT	1
7	PRC140VN002	PISTON	1
8	SAC045MT001	SADDLE	1
9	X	ROD SEAL	1
10	X	WIPER	1
11	X	BACK UP RING	1
12	X	PISTON SEAL	1
13	X	O - RING	1
14	SRC114WN001	STOP RING	1
15	SSC140EA001	SEAL RETAINER	1
16	X	DOWTY WASHER	1
17	VRA700AF002	RELIEF VALVE	1
18	PTP175TP100	THREAD PROTECTOR	1

ALL ITEMS MARKED 'X' SUPPLIED IN KIT HDA100TP1-K ONLY.

IMPORTANT
WHEN ORDERING SPARES YOU MUST STATE THE FULL PART NUMBER AND THE PRODUCT SERIAL NUMBER - FROM THE LABEL TO PROTECT YOUR WARRANTY ALWAYS USE GENUINE HI-FORCE PARTS.



ITEM NO.	PART NUMBER	DESCRIPTION	Default/QTY.
1	PHC012MS001	SLEEVE	1
2	PHC012QS001	PLUNGER	1
3	PHC012PS002	PISTON	1
4	PHA012VA003	PUMP BLOCK	1
5	TAC010BS004	TANK LID	1
6	X	GASKET	1
7	PHC012NM001	CYLINDER CAP	1
8	PHC010BS002	BEAM	1
9	PHC012SS002	SPINDLE	2
10	PHC012VS001	VALVE BLOCK	1
11	TAC010AS006	TANK & FRAME	1
12	X	GASKET	2
13	X	GASKET	2
14	BLC006JE016	SKT CSK SCREW	4
15	BLC008KC070	CAP HD SCREW	4
16	BLC008KD016	CAP HD SCREW	4
17	BLC006JD020	CAP HD SCREW	16
18	X	DOWTY WASHER	4
19	X	DOWTY WASHER	2
20	X	DOWTY WASHER	1
21	E15503	CONNECTOR PIPE	1
22	X	O - RING	2
23	X	O - RING	1
24	X	O - RING	1
25	X	O - RING	2
26	X	O - RING	1
27	X	BACK UP RING	2
28	X	BACK UP RING	1
29	X	BACK UP RING	1
30	HLC022TU001	HANDLE	1
31	FPC010YB001	PIPE CONNECTOR	2
32	PHC012WS002	CONNECTOR TUBE	1
33	BPC020SP002	FILLER PLUG	1
34	PP7-45	HAND GRIP	1
35	VRA700AF001	RELIEF VALVE	1
36	SEC025XE001	WIPER	1
37	X	CIRCLIP	4
38	X	CIRCLIP	1
39	TAC000PA001	SUCTION PIPE	1
40	BPC025KP001	RIBBED BUNG	2
41	FFC045MZ001	FILTER	1
42	WAC006EB000	WASHER	16
43	FPC003YB002	REDUCER	1
44	HLC015KM001	KNOB.	1
45	PMV4	VALVE ASSEMBLY 4 WAY PMV4	1

ALL PARTS MARKED 'X' SUPPLIED IN KIT HP235TP2-K ONLY

IMPORTANT

WHEN ORDERING SPARES YOU MUST STATE THE FULL PART NUMBER AND THE PRODUCT SERIAL NUMBER - FROM THE LABEL TO PROTECT YOUR WARRANTY ALWAYS USE GENUINE HI-FORCE PARTS.