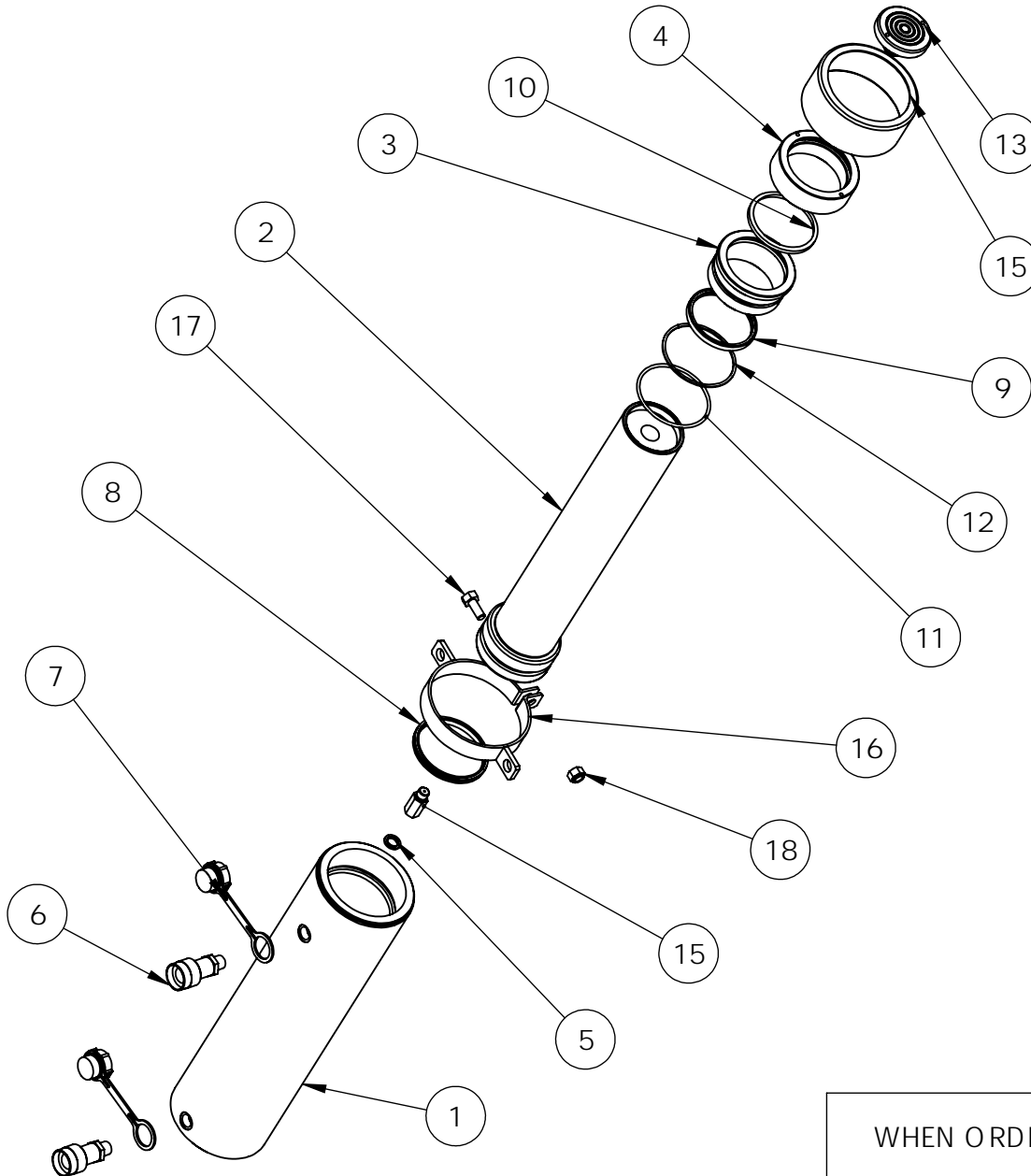


**IMPORTANT**

WHEN ORDERING SPARES YOU MUST STATE THE FULL PART NUMBER AND THE PRODUCT SERIAL NUMBER - FROM THE LABEL TO PROTECT YOUR WARRANTY ALWAYS USE GENUINE HI-FORCE PARTS.



ITEM NO.	PART NUMBER	DESCRIPTION	HDA 5013/QTY.
1	CBC 095A N002	CYLINDER	1
2	PRC 095D N001	PISTON	1
3	SSC 095EA 001	SEAL RETAINER	1
4	SRC 079WJ001	STOP RING	1
5	WAC 007HD000	DOWTY WASHER	1
6	C F1	COUPLER	2
7	BPC 030PP001	DUST COVER	2
8	X	PISTON SEAL	1
9	X	ROD SEAL	1
10	X	WIPER	1
11	X	O - RING	1
12	X	BACK UP RING	1
13	SAC 025MT001	SADDLE	1
15	PTP127TP050	THREAD PROTECTOR	1
15	VRA 700A F002	RELIEF VALVE	1
16	FLC 127LA 002	LIFTING RING	1
17	BLC 010LB025	BOLT	1
18	NUC 010LC 000	NUT	1

ITEMS MARKED 'X' SUPPLIED IN KIT HDA 50TP1-K ONLY.

**IMPORTANT**

WHEN ORDERING SPARES YOU MUST STATE THE FULL PART NUMBER AND THE PRODUCT SERIAL NUMBER - FROM THE LABEL TO PROTECT YOUR WARRANTY ALWAYS USE GENUINE HI-FORCE PARTS.

MANUALLY OPERATED PUMP. HP257D

SERIAL NUMBERS  
ALL.

SPARE PARTS LIST NO.  
HP257DP1

REF NO:	PARTS NO:	DESCRIPTION:	QTY.
01	HP227-01	PUMP HOUSING	1
02	X	STEEL BALL	2
03	X	SPRING	2
04	X	STEEL BALL	2
05	X	SPRING	2
06	X	WASHER	2
07	X	VALVE COVER SCREW	2
08	X	STEEL BALL	2
09	X	PRING END CAP	2
10	X	SHORT SEPARATOR SPRING	1
11	X	LONG SEPARATOR SPRING	1
12	X	O - RING	2
13	X	OVERLOAD COVER SCREW	2
14	X	CAP	2
15	X	O - RING	1
16	X	BACK UP RING	1
17	HP227-17	PUMP PISTON	1
18	X	SNAP RING	1
19	X	O - RING	1
20	X	BACK UP RING	1
21	HP227-21	PUMP PISTON	1
22	X	OIL SEAL	1
23	X	WASHER	1
24	X	STEEL BALL	4
25	RV	PIN	1
26	RV	RELEASE SCREW	1
27	RV	RELEASE NUT	1
28	RV	RELEASE KNOB	1
29	RV	SET SCREW	1
31	X	SCREW	3
32	X	O - RING	1
33	X	OIL FILTER	1
34	HP227-34	RESERVOIR	1
41	X	PISTON PIN	1
42	X	RETAINING RING	1
43	HP227-43	YOKE	1
44	X	YOKE PIN	1
45	HP227-45	HANDLE	1
46	X	HANDLE GRIP	1
56	HP227- 56	BLANKING PLUG AND DIP STICK	
57	HP227- 57	KNOB 781MB 15MM.	
58	X	O - RING	

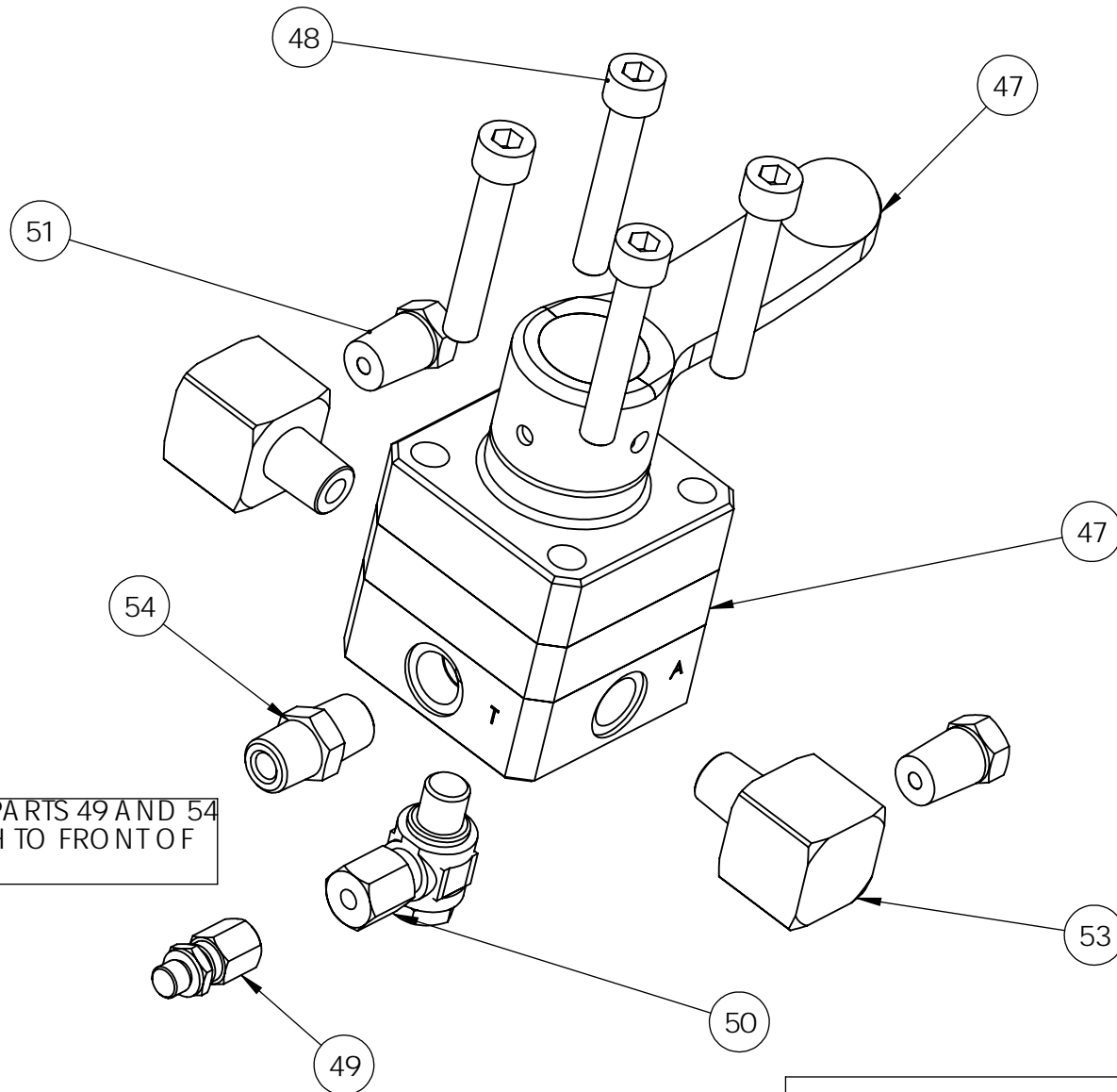
SHEET 1 OF 3.

PARTS MARKED 'RV' ONLY AVAILABLE AS RELEASE VALVE ASSEMBLY - ITEM 52

PARTS MARKED 'X' SUPPLIED IN KIT HP227TP2-K ONLY.

**IMPORTANT**

WHEN ORDERING SPARES YOU MUST STATE THE FULL PART NUMBER AND THE PRODUCT SERIAL NUMBER - FROM THE LABEL TO PROTECT YOUR WARRANTY ALWAYS USE GENUINE HI-FORCE PARTS.

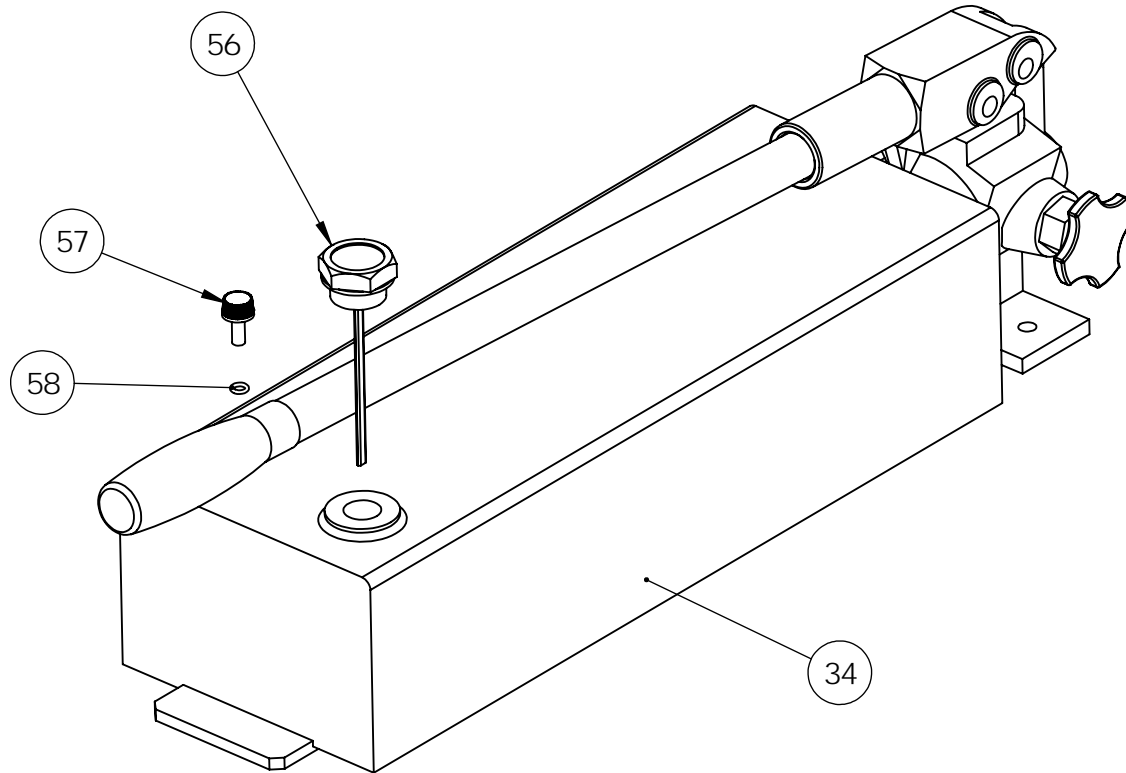


NOTE: PARTS 49 AND 54  
ATTACH TO FRONT OF  
PART 1.

ITEM NO.	PART NUMBER	DESCRIPTION	QTY.
47	VFS000SD008	HI-FORCE 4 WAY VALVE	1
48	BLC010LC060	CAP HD SCREW	4
49	FPC003YB001	TUBE FITTING	1
50	FPC006QB002	6MM BANJO	1
51	FPC010PN001	3/8 NPT BLANKING PLUG	2
52	FPC010PN002	3/8 X 7/8 IN. NPT SOCKET PLUG	1
53	HF16	HI-FORCE FITTING 3/8 F. X 3/8 M.	2
54	HF17	HI-FORCE FITTING 3/8 M. X 3/8 M	1
55	VFC010BD001	VALVE.	1

PAGE 2 OF 2.

**IMPORTANT**  
WHEN ORDERING SPARES YOU MUST STATE THE FULL PART NUMBER AND THE  
PRODUCT SERIAL NUMBER - FROM THE LABEL  
TO PROTECT YOUR WARRANTY ALWAYS USE GENUINE HI-FORCE PARTS.



SHEET 3 OF 3

**IMPORTANT**

WHEN ORDERING SPARES YOU MUST STATE THE FULL PART NUMBER AND THE PRODUCT SERIAL NUMBER - FROM THE LABEL TO PROTECT YOUR WARRANTY ALWAYS USE GENUINE HI-FORCE PARTS.