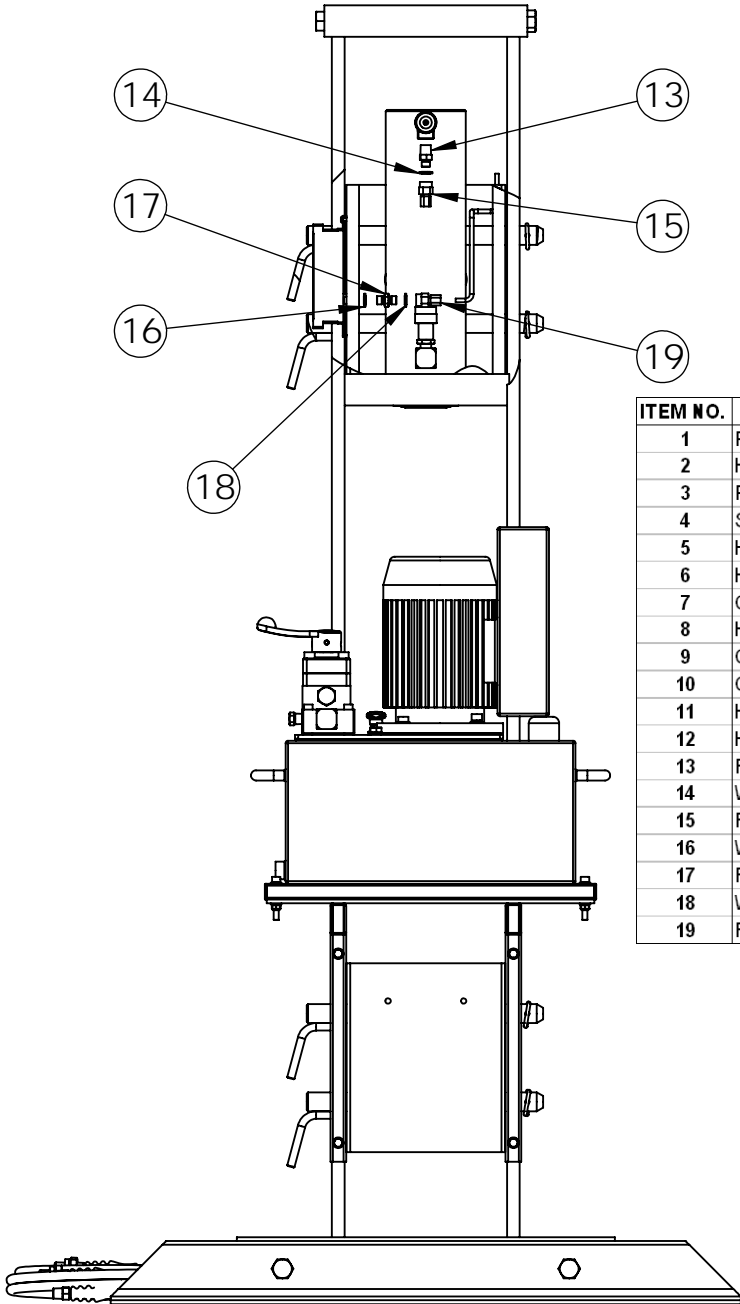


**IMPORTANT**

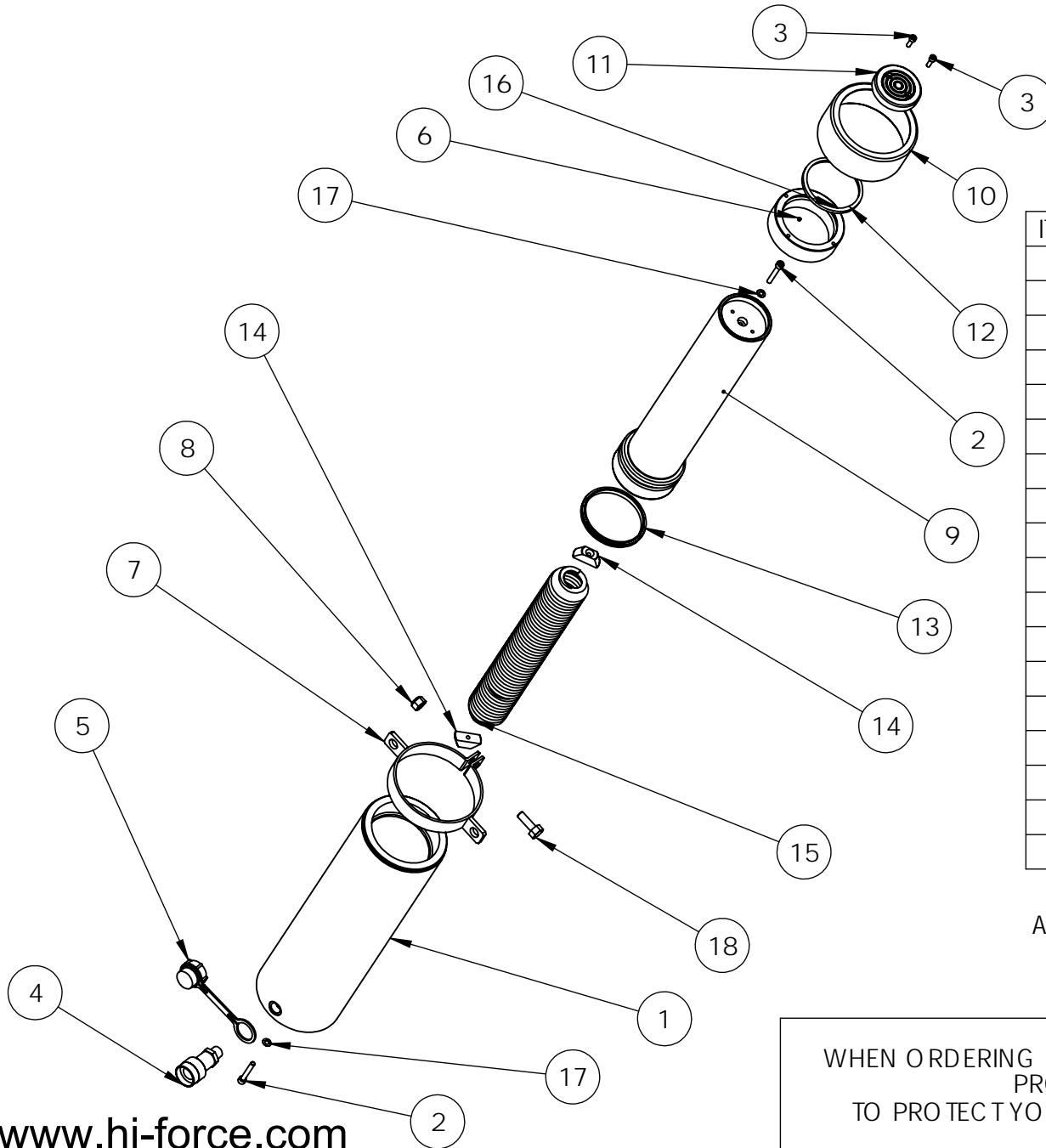
WHEN ORDERING SPARES YOU MUST STATE THE FULL PART NUMBER AND THE PRODUCT SERIAL NUMBER - FROM THE LABEL TO PROTECT YOUR WARRANTY ALWAYS USE GENUINE HI-FORCE PARTS.



ITEM NO.	HPF5020S	HPF5020D	HPF5030S	HPF5030D	HPF5041S	HPF5041D	HPF5042S	HPF5042D	HPF5044S	HPF5044D
1	PAA050FM001	PAA050FM001	PAA050FM001	PAA050FM001	PAA050FM001	PAA050FM001	PAA050FM001	PAA050FM001	PAA050FM001	PAA050FM001
2	HP257	HP257D	AHP1121	AHP1141	HEP207311	HEP207411	HEP207312	HEP207412	HEP207314	HEP207414
3	PLC050CQ001	PLC050CQ001	PLC050CQ001	PLC050CQ001	PLC050CQ001	PLC050CQ001	PLC050CQ001	PLC050CQ001	PLC050CQ001	PLC050CQ001
4	STC030RA001	STC030RA001	STC030RA001	STC030RA001	STC030RA001	STC030RA001	STC030RA001	STC030RA001	STC030RA001	STC030RA001
5	HPG-50T	HPG-50T	HPG-50T	HPG-50T	HPG-50T	HPG-50T	HPG-50T	HPG-50T	HPG-50T	HPG-50T
6	HH3	HH3	HH3	HH3	HH3	HH3	HH3	HH3	HH3	HH3
7	CM1	CM1	CM1	CM1	CM1	CM1	CM1	CM1	CM1	CM1
8	HF31	HF31	HF31	HF31	HF31	HF31	HF31	HF31	HF31	HF31
9	CF1	CF1	CF1	CF1	CF1	CF1	CF1	CF1	CF1	CF1
10	CF1	CF1	CF1	CF1	CF1	CF1	CF1	CF1	CF1	CF1
11	HF16	HF16	HF16	HF16	HF16	HF16	HF16	HF16	HF16	HF16
12	HF16	HF16	HF16	HF16	HF16	HF16	HF16	HF16	HF16	HF16
13	FPC006YN001	FPC006YN001	FPC006YN001	FPC006YN001	FPC006YN001	FPC006YN001	FPC006YN001	FPC006YN001	FPC006YN001	FPC006YN001
14	WAC007HD000	WAC007HD000	WAC007HD000	WAC007HD000	WAC007HD000	WAC007HD000	WAC007HD000	WAC007HD000	WAC007HD000	WAC007HD000
15	FPC006WB001	FPC006WB001	FPC006WB001	FPC006WB001	FPC006WB001	FPC006WB001	FPC006WB001	FPC006WB001	FPC006WB001	FPC006WB001
16	WAC007HD000	WAC007HD000	WAC007HD000	WAC007HD000	WAC007HD000	WAC007HD000	WAC007HD000	WAC007HD000	WAC007HD000	WAC007HD000
17	FPC006QB003	FPC006QB003	FPC006QB003	FPC006QB003	FPC006QB003	FPC006QB003	FPC006QB003	FPC006QB003	FPC006QB003	FPC006QB003
18	WAC007HD000	WAC007HD000	WAC007HD000	WAC007HD000	WAC007HD000	WAC007HD000	WAC007HD000	WAC007HD000	WAC007HD000	WAC007HD000
19	FPC006WB001	FPC006WB001	FPC006WB001	FPC006WB001	FPC006WB001	FPC006WB001	FPC006WB001	FPC006WB001	FPC006WB001	FPC006WB001

**IMPORTANT**

WHEN ORDERING SPARES YOU MUST STATE THE FULL PART NUMBER AND THE PRODUCT SERIAL NUMBER - FROM THE LABEL TO PROTECT YOUR WARRANTY ALWAYS USE GENUINE HI-FORCE PARTS.



ITEM NO.	PART NUMBER	DESCRIPTION	QTY.
1	C BC 095SN001	CYLINDER.	1
2	BLC 006JC 040	CAP HD SCREW	2
3	BLC 005HD 016	CAP HD SCREW	2
4	C F1	COUPLER	1
5	BPC 030PP001	DUST COVER	1
6	FFC 004RC 001	FILTER	1
7	FLC 127LA 002	LIFTING RING	1
8	NUC 010LC 000	NUT	1
9	PRC 095BN001	PISTON	1
10	PTP127TP050	THREAD PROTECTOR	1
11	SAC 070EC 001	SADDLE.	1
12	X	WIPER	1
13	X	PISTON SEAL	1
14	SIC 015ED 001	INSERT	2
15	SPC 058TP002	TENSION SPRING	1
16	SRC 079SJ001	STOP RING.	1
17	X	WASHER	2
18	BLC 010LB030	BOLT	1

ALL ITEMS MARKED 'X' SUPPLIED IN KIT HSS50TP1-K ONLY.

**IMPORTANT**

WHEN ORDERING SPARES YOU MUST STATE THE FULL PART NUMBER AND THE PRODUCT SERIAL NUMBER - FROM THE LABEL TO PROTECT YOUR WARRANTY ALWAYS USE GENUINE HI-FORCE PARTS.

MANUALLY OPERATED PUMP. HP257

SERIAL NUMBERS  
ALL.

SPARE PARTS LIST NO.  
HP257P1

REF NO:	PARTS NO:	DESCRIPTION:	QTY.
01	HP227-01	PUMP HOUSING	1
02	X	STEEL BALL	2
03	X	SPRING	2
04	X	STEEL BALL	2
05	X	SPRING	2
06	X	WASHER	2
07	X	VALVE COVER SCREW	2
08	X	STEEL BALL	2
09	X	SPRING END CAP	2
10	X	SHORT SEPARATOR SPRING	1
11	X	LONG SEPARATOR SPRING	1
12	X	O - RING	2
13	X	OVERLOAD COVER SCREW	2
14	X	CAP	2
15	X	O - RING	1
16	X	BACK UP RING	1
17	HP227-17	PUMP PISTON	1
18	X	SNAP RING	1
19	X	O - RING	1
20	X	BACK UP RING	1
21	HP227-21	PUMP PISTON	1
22	X	OIL SEAL	1
23	X	WASHER	1
24	X	STEEL BALL	4
25	RV	PIN	1
26	RV	RELEASE SCREW	1
27	RV	RELEASE NUT	1
28	RV	RELEASE KNOB	1
29	RV	SET SCREW	1
30	X	SCREW	1
31	X	SCREW	3
32	X	O - RING	1
33	X	OIL FILTER	1
34	HP227-34	RESERVOIR/TANK.	1
41	X	PISTON PIN	1
42	X	RETAINING RING	1
43	HP227-43	YOKE	1
44	X	YOKE PIN	1
45	HP227-45	HANDLE	1
46	X	HANDLE GRIP	1
50	X	O - RING	1
51	X	NIPPLE	1
52	HP227-52	RELEASE VALVE ASSEMBLY	1
53	HP227-53	BLANKING PLUG AND DIPSTICK	1
54	HP227-54	KNOB 781MB 15MM.	1
55	X	O - RING	1

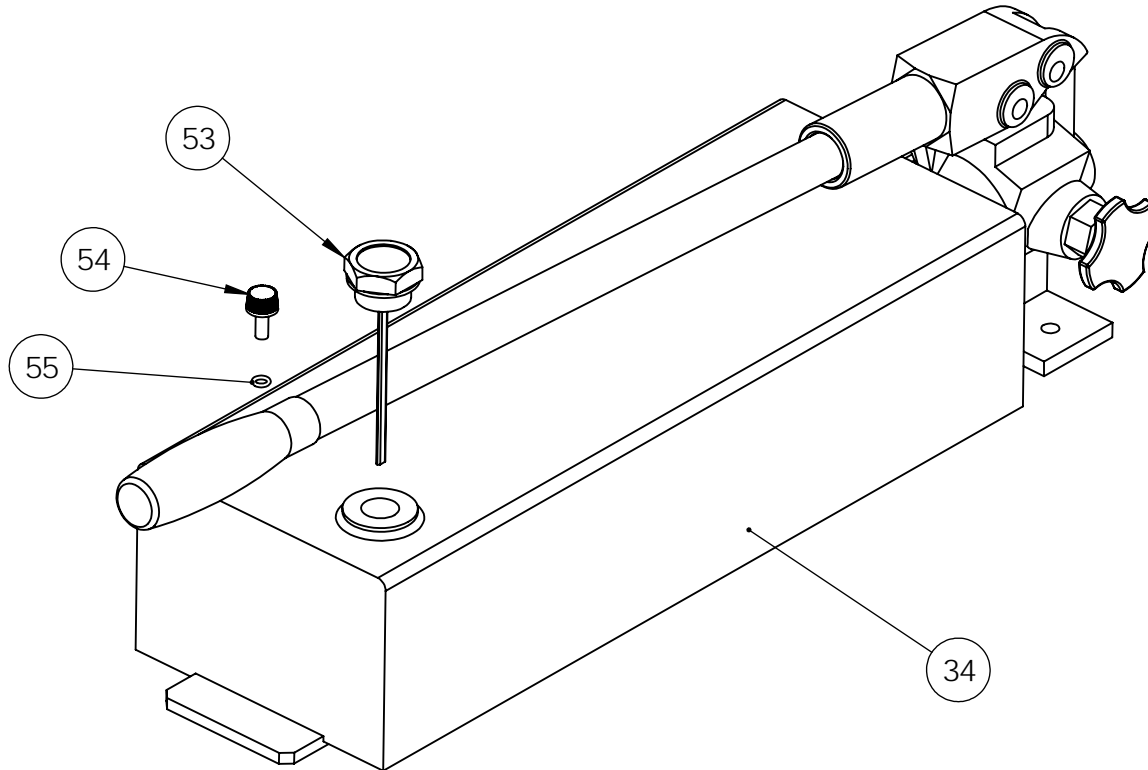
PARTS MARKED 'RV' ONLY AVAILABLE AS  
RELEASE VALVE ASSEMBLY - ITEM 52.

SHEET 1 OF 2.

PARTS MARKED 'X' SUPPLIED IN KIT HP227TP2-K ONLY.

**IMPORTANT**

WHEN ORDERING SPARES YOU MUST STATE THE FULL PART NUMBER AND THE  
PRODUCT SERIAL NUMBER - FROM THE LABEL  
TO PROTECT YOUR WARRANTY ALWAYS USE GENUINE HI-FORCE PARTS.



SHEET 2 OF 2.

**IMPORTANT**

WHEN ORDERING SPARES YOU MUST STATE THE FULL PART NUMBER AND THE  
PRODUCT SERIAL NUMBER - FROM THE LABEL  
TO PROTECT YOUR WARRANTY ALWAYS USE GENUINE HI-FORCE PARTS.