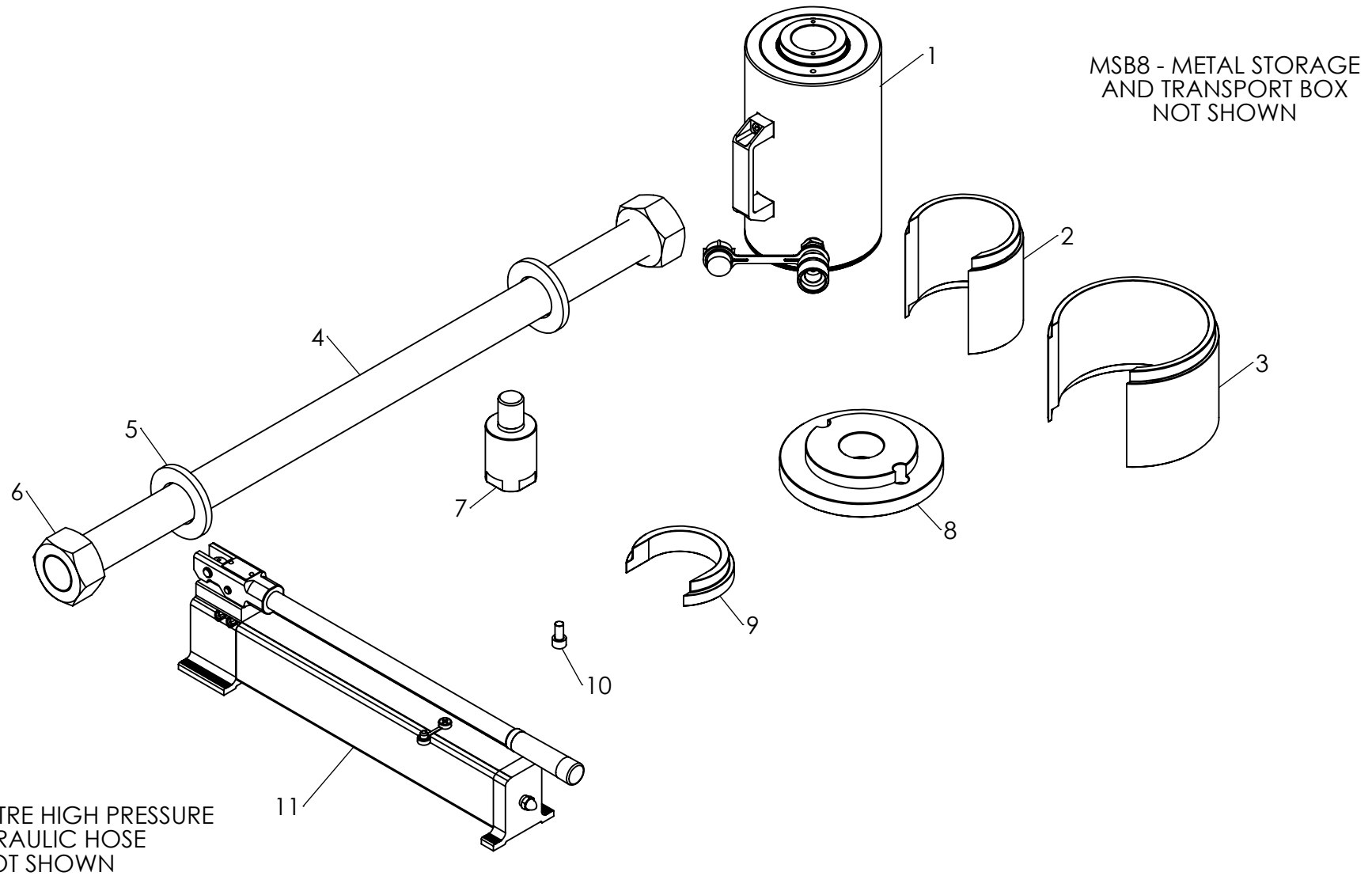


REVISION

1	4681
2	
3	
4	
5	
6	
7	
8	
9	
10	
11	
12	
13	
14	
15	
16	
17	
18	
19	
20	



HC2 - 2 METRE HIGH PRESSURE
HYDRAULIC HOSE
NOT SHOWN

MSB8 - METAL STORAGE
AND TRANSPORT BOX
NOT SHOWN

IMPORTANT
WHEN ORDERING SPARES YOU MUST STATE THE FULL PART NUMBER AND THE
PRODUCT SERIAL NUMBER - FROM THE LABEL
TO PROTECT YOUR WARRANTY ALWAYS USE GENUINE HI-FORCE PARTS.

REVISION

1	4681
2	
3	
4	
5	
6	
7	
8	
9	
10	
11	
12	
13	
14	
15	
16	
17	
18	
19	
20	

	PART NO.	DESCRIPTION	QTY
1	HHA504	HOLLOW PISTON CYLINDER	1
2	ADC050GE001	PULL SLEEVE (SMALL)	1
3	ADC050GE002	PULL SLEEVE (LARGE)	1
4	TBC048MW001	M48X5 THREADED ROD X 1000 MM LENGTH	1
5	WAC048AF001	M48 WASHER	2
6	NUC048TA001	M48 NUT (CLASS 12)	2
7	ADC050GH001	REDUCER M48 TO M30	1
8	ADC050FG001	ADAPTOR PLATE	1
9	ADC050GE003	REDUCER SLEEVE - TUBE	1
10	BLC010LU020	M10 X 20 MM BOLT	1
11	HP212	MANUALLY OPERATED ALUMINIUM HAND PUMP	1
	HC2	2 METRE HIGH PRESSURE HYDRAULIC HOSE	1
	MSB8	METAL STORAGE AND TRANSPORT BOX	1

IMPORTANT

WHEN ORDERING SPARES YOU MUST STATE THE FULL PART NUMBER AND THE PRODUCT SERIAL NUMBER - FROM THE LABEL TO PROTECT YOUR WARRANTY ALWAYS USE GENUINE HI-FORCE PARTS.